



DESSALATOR

Watermakers

30 years experience in reverse osmosis desalination

Technical
Specification

Pro Series

- AC Powered
- 230V (115V available)
- Reverse Osmosis
- Modular System
- Pro-Auto option



Key features

Automatic freshwater rinsing - keeps the system fresh and clean, prolongs the life of the membranes and back-flushes the pre-filter.

Manual freshwater rinsing - a simple turn of a lever means you can give your watermaker an extra rinse when leaving your boat and when returning after a longer period, keeping your membranes fresh, clean, and ready to make pure water.

Automatic freshwater transfer to tank - simplifies operation, letting you relax whilst your tanks are replenished. Also features manual override.

Flow meter - easily monitor the rate of freshwater production.

Hour meter - keeps track of hours run to help analyse performance and establish time for service.

Automatic shutdown - with alarm light if the pressure gets too high or if there is no water flow, so the pump cannot run dry.

Pure water year after year...



Quiet and reliable – Fitted with the best high-pressure pumps on the market from CAT; they require minimal maintenance (up to 5000hour service intervals). Supplied mounted on a stainless steel chassis with anti-vibration mounts for durability and quiet operation.

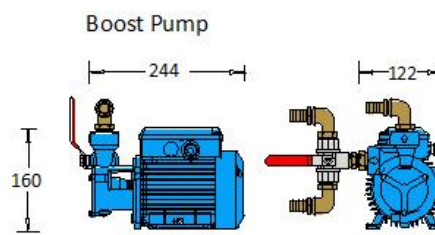
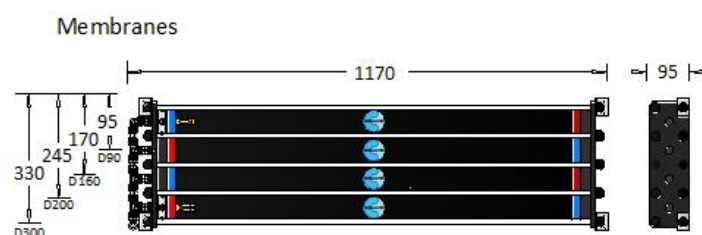
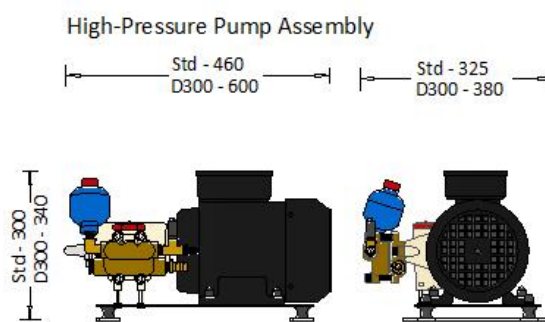
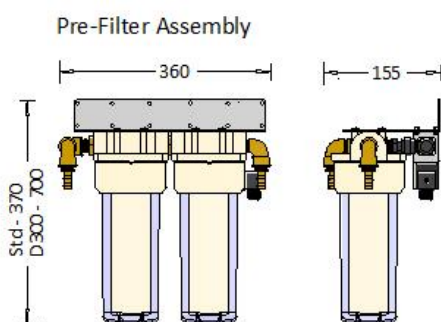
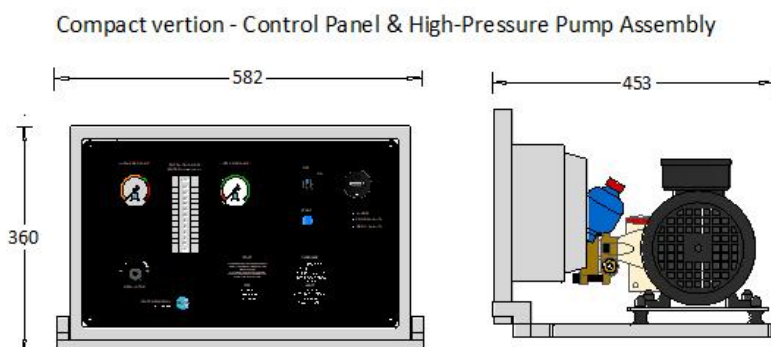
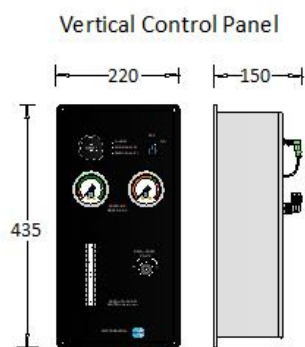
Optimum performance – Only Filmtec (Dow Corning) membranes are used for long life, increased output and greater resistance to chlorine.

High quality materials – Carbon fibre membrane tubes eliminate issues with corrosion and are strong and light - maximising long life.



System Specifications

Model	Output (l/hr)	Weight (kg)	HP Pump	Boost Pump
D90 Pro	100	66	1.8kW	300W
D160 Pro	180	71	2.2kW	300W
D200 Pro	220	76	2.2kW	300W
D300 Pro	330	80	3.0kW (440V 3ph)	750W



Pro-Auto Option

The Pro-Auto version is a one-touch automatic variation of the standard watermaker. Simply turn it on and it will run at the correct pressure automatically until it is turned off. The Pro-Auto range can also be operated via the Micro Remote.

Supplied by



Advance Yacht Systems, 9 Fernacre Business Park,
 Budds Lane, Romsey, Hampshire, SO51 0HA
 Tel: 01794 523900 Email: info@advanceyacht.co.uk
 www.advanceyacht.co.uk

