



DESSALATOR

Watermakers

30 years experience in reverse osmosis desalination

Technical
Specification

Freedom

- DC Powered
- 12V or 24V
- Reverse Osmosis
- Modular System
- *Navigator* (Auto) option



Key features

Automatic fresh water rinsing - keeps the system fresh and clean, prolongs the life of the membranes and back-flushes the pre-filter.

Manual fresh water rinsing - a simple turn of a lever means you can give your water-maker an extra rinse when leaving your boat and when returning after a longer period, keeping your membranes fresh, clean and ready to make pure water.

Automatic fresh water transfer to tank - simplifies operation, letting you relax whilst your tanks are replenished. Also features manual override.

Flow meter - easily monitor the rate of fresh water production.

Hour meter - keeps track of hours run to help analyse performance and establish need for service.

Automatic shutdown - with alarm light if the pressure gets too high or if there is no water flow, so the pump cannot run dry.

Pure water year after year...



Quiet and reliable - Fitted with the best high pressure pumps on the market from CAT and Interpump; they require minimal maintenance (up to 5000 hour service intervals). Supplied mounted on a stainless steel chassis with anti-vibration mounts for durability and quiet operation.

Optimum performance - Only Filmtec (Dow Corning) membranes are used for long life, increased output and greater resistance to chlorine.

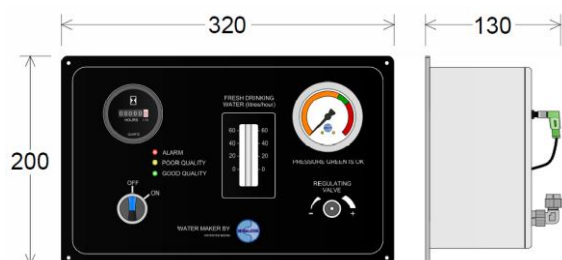
High quality materials - Carbon fibre membrane tubes eliminate issues with corrosion and are strong and light - maximising long life.



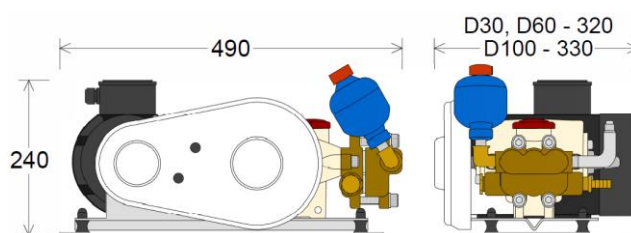
System Specifications

Model	Output (l/hr)	Weight (kg)	Power (12V)	Power (24V)
D30 Freedom	30	35	550W Motor	550W Motor
D60 Freedom	60	38	550W Motor	550W Motor
D100 Freedom	100	45	700W Motor	700W Motor

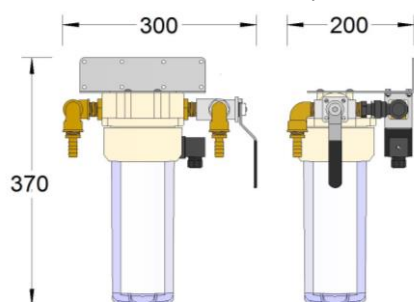
Control Panel



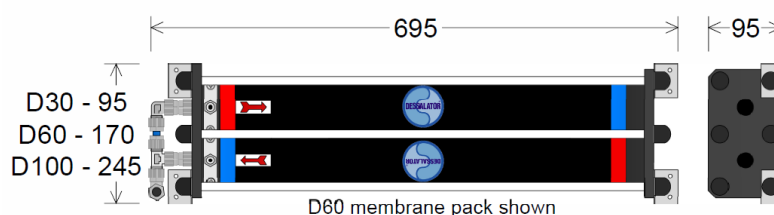
High Pressure Pump Assembly



Pre-filter Assembly



Membrane Pack



Dimensions in mm

Navigator Option

The Navigator version is a one-touch automatic variation of the standard watermaker. Simply turn it on and it will run at the correct pressure automatically until it is turned off. The Navigator range can also be operated via the optional Micro Remote. Navigator units use the new compact Interpump high pressure pump which reduces the length of the footprint to 373mm.



Supplied by



Advance Yacht Systems, 9 Fernacre Business Park,
Budds Lane, Romsey, Hampshire, SO51 0HA
Tel: 01794 523900 Email: info@advanceyacht.co.uk
www.advanceyacht.co.uk

