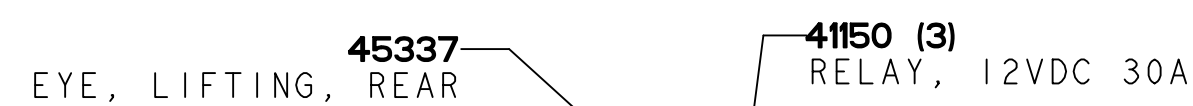
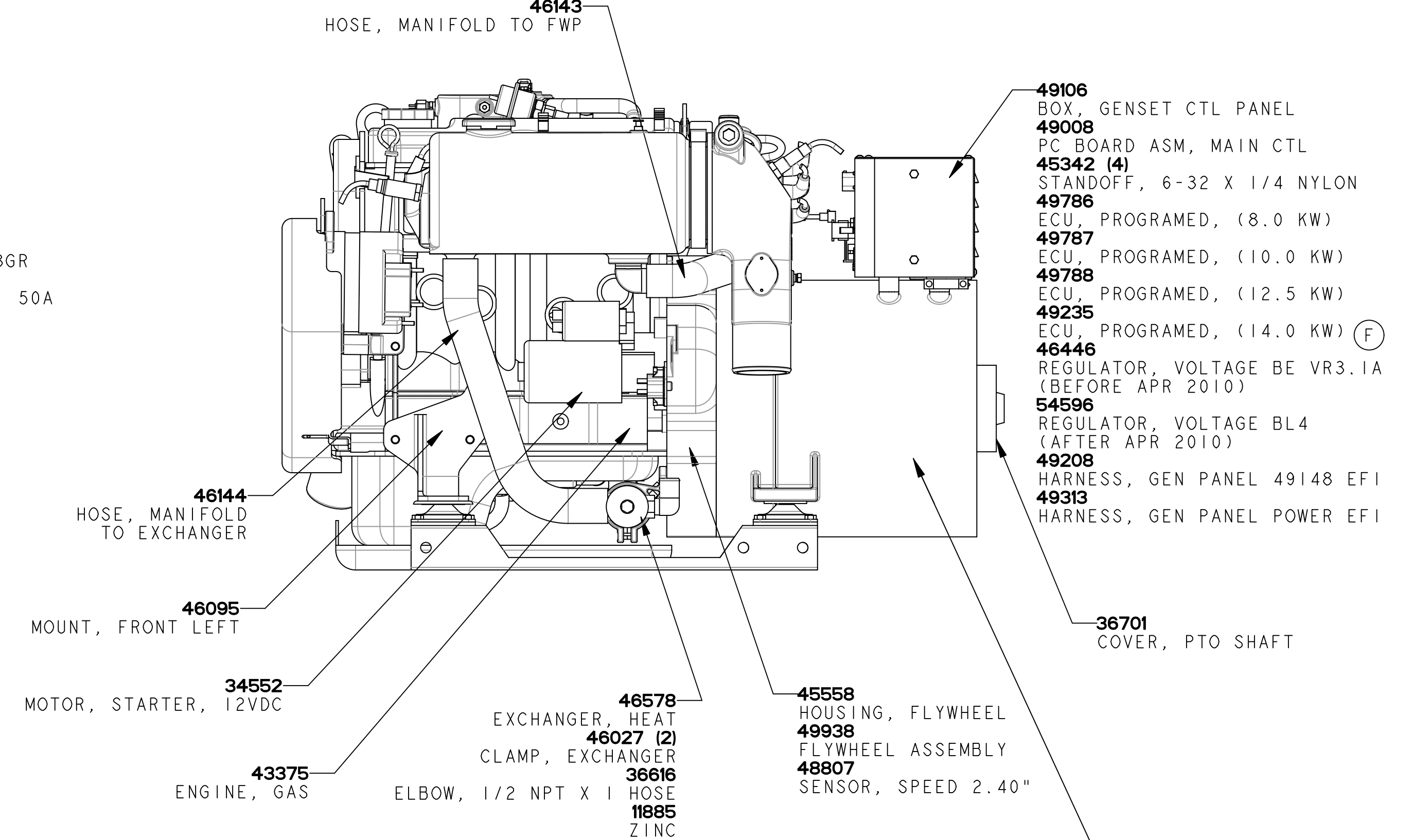
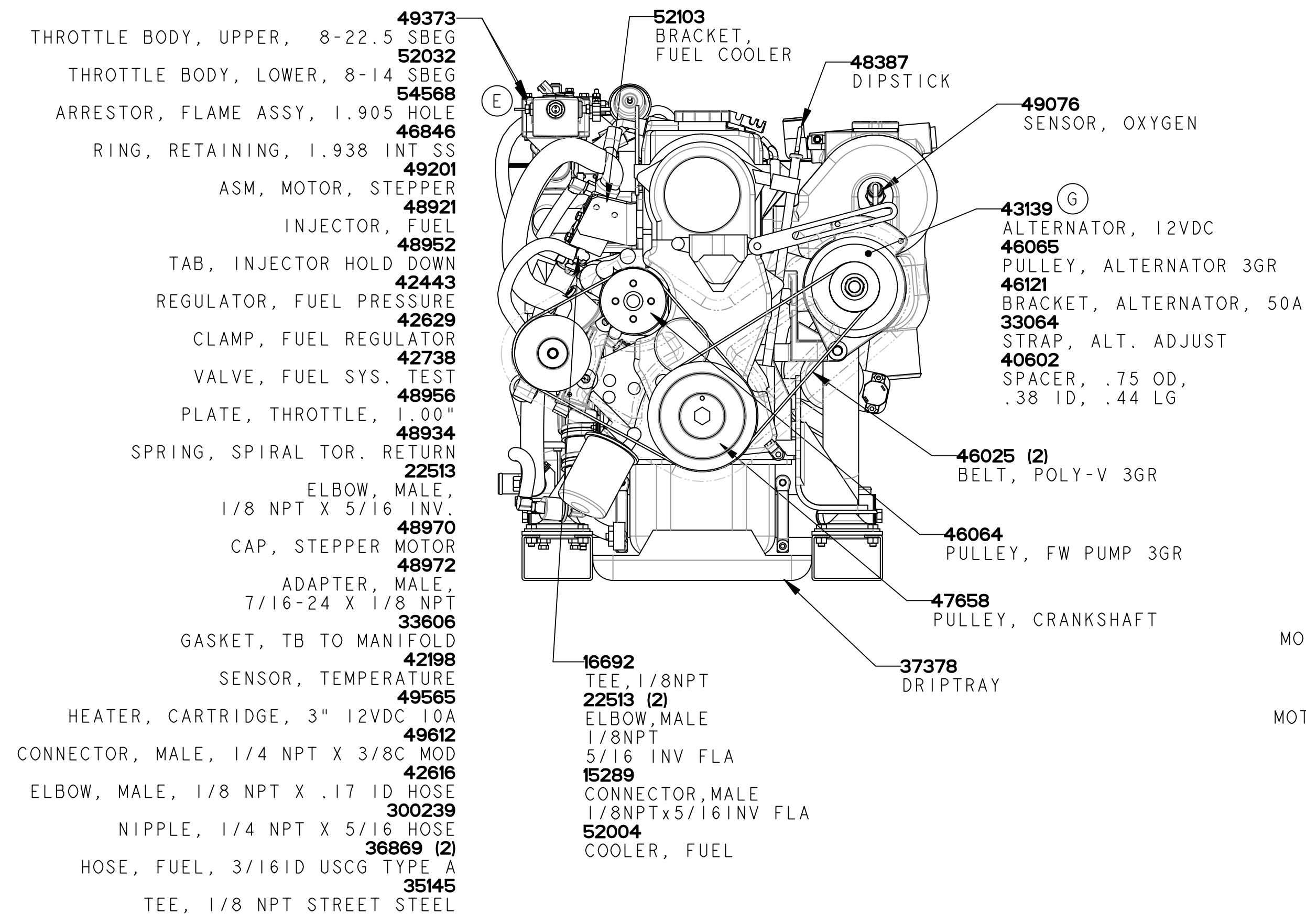
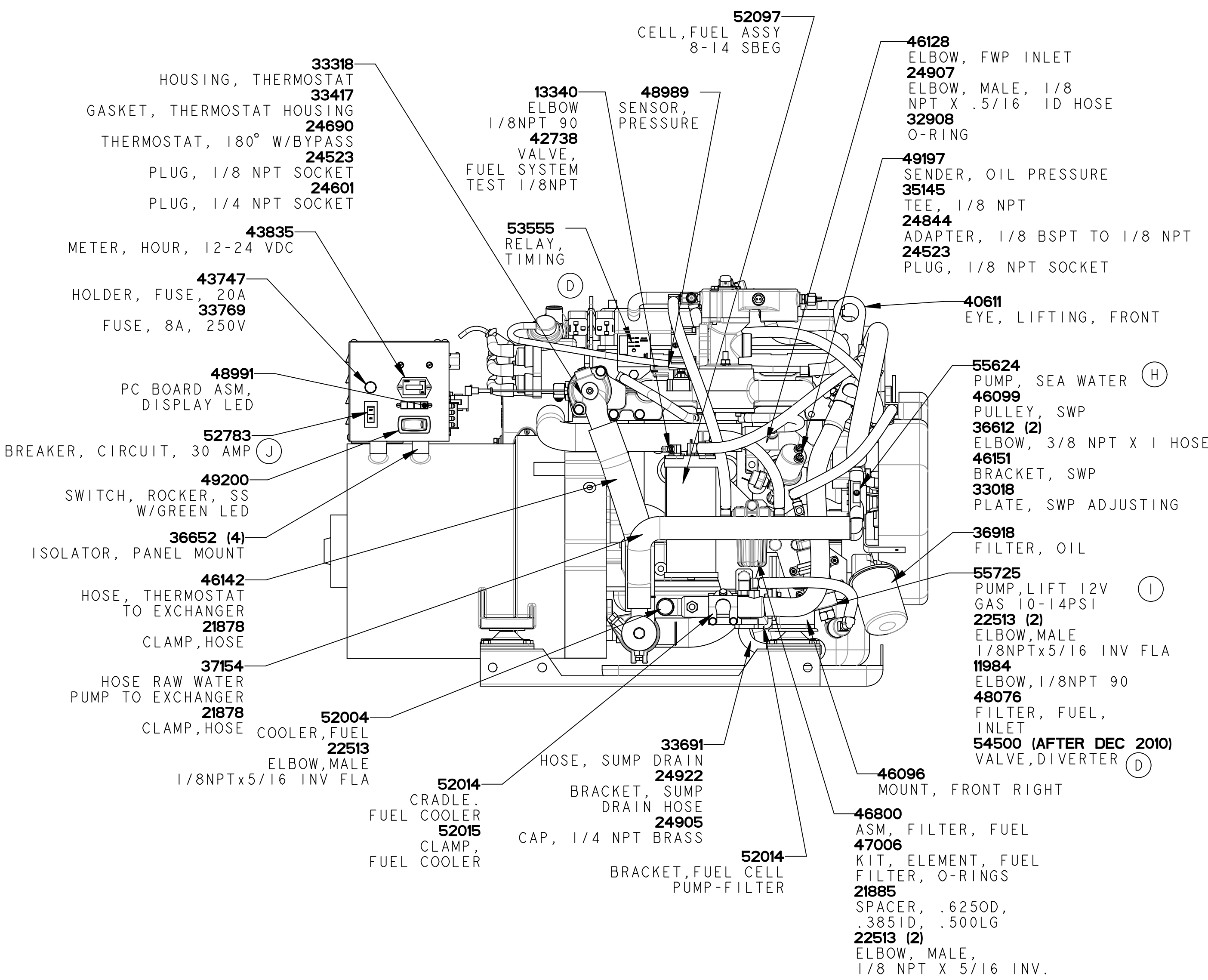
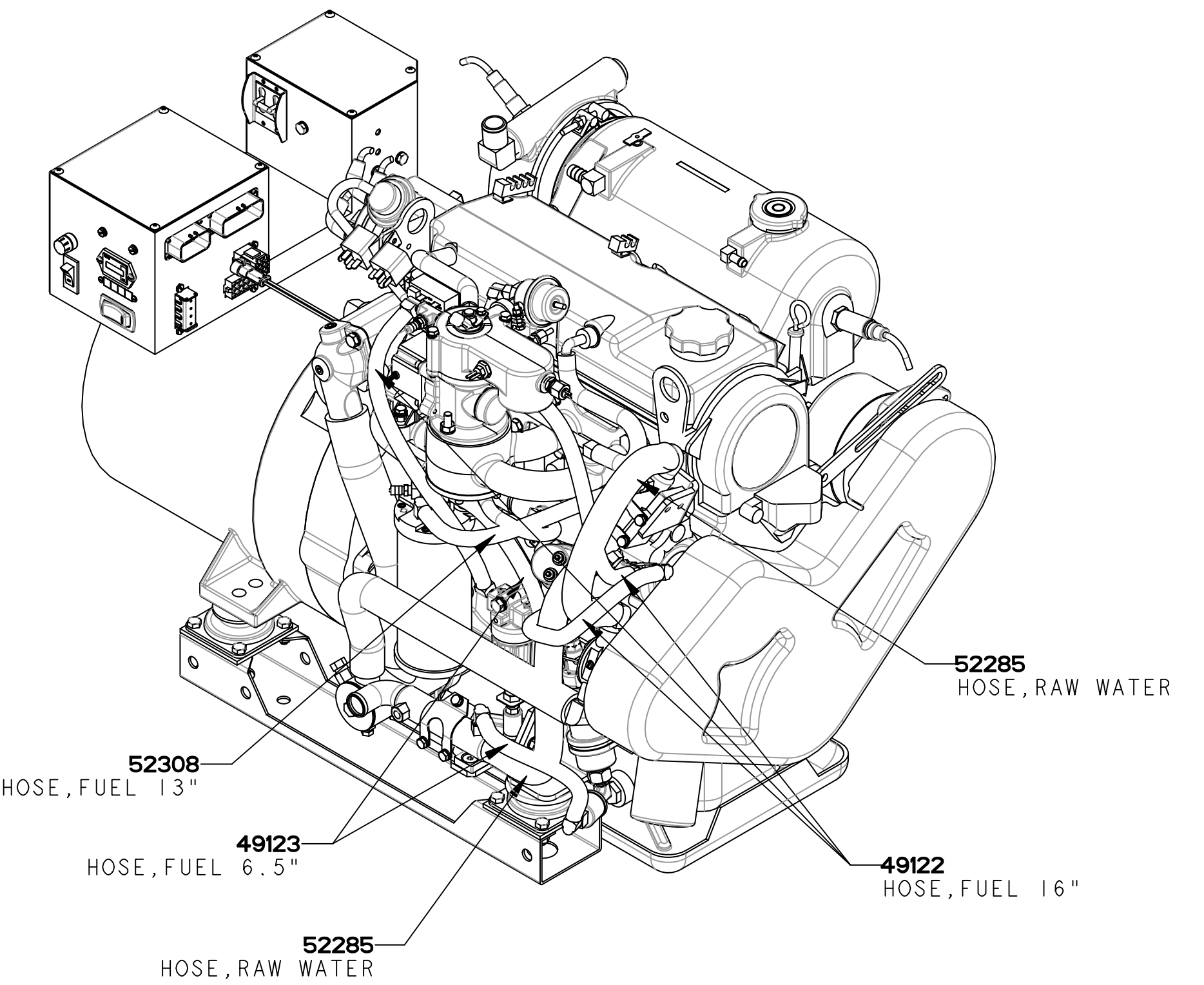
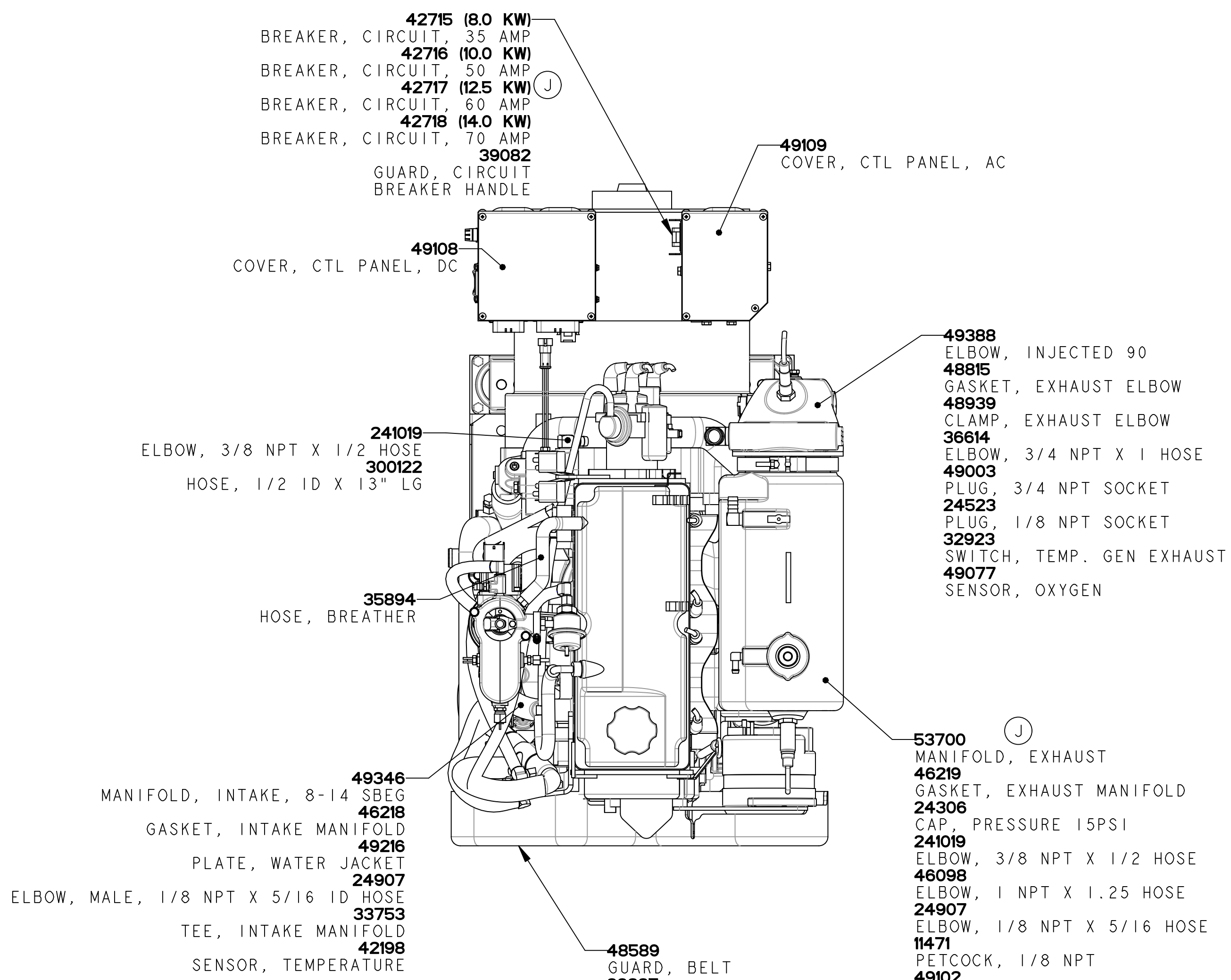


ECO NO.	DATE	REV.	REVISION RECORD	AUTH.	DR. BY
5946	3-17-05	A	CHANGED FLYWHEEL ASM		BM
6105	10-20-05	B	UPDATE PARTS WITH RETURNLESS FUEL SYSTEM.		GA
6249	8-15-2006	C	REMOVED PART LIST FOR FUEL CELL COMPONENTS.		GA
6602	2-23-2008	D	UPDATE DRAWING WITH TIMING RELAY, HARNESS, DIVERTER VALVE.		GA
6615	6-18-2009	E	CHANGE FLAME ARRESTOR FROM 43438 TO 54568		GA
6642	8-10-2009	F	CHANGE VOLTAGE REGULATOR FROM 46446 TO 54596 AND UPDATE GENERATOR PART NO.		GA
6989	4-24-2013	G	ALTERNATOR P/N WAS CHANGED FROM 39139 TO 43147.		GA
7010	7-15-2013	H	CHANGED RAW WATER PUMP TO 55624.		GA
7015	10-30-2013	I	CHANGE FUEL PUMP TO 55725.		GA
7044	3-27-2014	J	UPDATE FAST MOVING PART TABLE, RAW WATER PUMP TO 55624 AND WATER PUMP KIT TO 55718. CHANGE EXHAUST MANIFOLD WAS 48734. BREAKER 52783 WAS 48981. CHANGED CIRC. BRK P/N		GA

SERVICE PARTS			
43438	AIR FILTER/FLAME ARRESTOR	-	MANUAL, PARTS DIAGRAM
48589	BELT GUARD	49197	OIL PRESSURE SENDER
46025	BELT, SEA WATER PUMP	-	PANEL, GENSET CONTROL
46025	BELT, STD. ALTERNATOR	-	PANEL, REMOTE INSTRUMENT
46591	BELT, TIMING	49148	PANEL, REMOTE START/STOP
24306	CAP, PRESSURE	46495	PCV VALVE
48981	CIRCUIT BREAKER 20A 12VDC	46594	PUMP, FRESH WATER
48387	DIPSTICK	55725	PUMP, FUEL LIFT
49710	DISTRIBUTOR	55624	PUMP, SEA WATER
46592	DISTRIBUTOR CAP	46622	PUMP, IMPELLER KIT
46593	DISTRIBUTOR IGNITER	55718	PUMP, REPAIR KIT
43050	DISTRIBUTOR ROTOR	33043	PUMP, SEAL
37378	DRIPTRAY	32149	REMOTE LUBE OIL FILTER
32923	EXHAUST TEMPERATURE SWITCH	48807	SENSOR, SPEED
47006	FILTER, FUEL	49680	SPARE PARTS KIT A
48076	FILTER, FUEL, 80 MICRON	49681	SPARE PARTS KIT B
36918	FILTER, OIL LUBE	43071	SPARKPLUG
33769	FUSE, 8 AMP	34552	STARTER MOTOR
49683	GASKET SET, COMPLETE	36218	STARTER SOLENOID
49682	GASKET SET, UPPER	49200	SWITCH, START/STOP
46600	GASKET, HEAD	24977	TANK, COOLANT RECOVERY
46578	HEAT EXCHANGER	24690	THERMOSTAT
33297	HEAT EXCHANGER END CAP	33417	THERMOSTAT MOUNTING GASKET
33298	HEAT EXCHANGER GASKET	46595	VALVE COVER GASKET
49684	HOSE KIT	46446	VOLTAGE REGULATOR
43835	HOURLY METER	49388	WATER INJECTED EXHAUST ELBOW
46492	IGNITION COIL/HOUSING ASM	42198	WATER TEMPERATURE SENDER
21529	ISOLATORS, FRONT & REAR	46596	WIRE SET, SPARKPLUG
49735	MANUAL, OPERATOR	1885	ZINC
ITEMS NOT SHOWN			
53597	HARNESS, GENSET, 8 - 14 SBEG		



MODEL	GENERATOR P/N
8.0 SBEG	54823 (USE AVR BL4 P/N: 54596)
10.0 SBEG	54824 (USE AVR BL4 P/N: 46446)
12.5 SBEG	54825 (USE AVR BL4 P/N: 54596)
14.0 SBEG	54826 (USE AVR BL4 P/N: 54596)

TOLERANCES (UNLESS OTHERWISE NOTED)		WESTERBEKE	
INCHES	MILLIMETERS	PARTS LIST - 8.0 - 14.0 SBEG	
.XX ± .00	X ± 1.0	DRAWN BY	DATE
.XXX ± .03	Y ± .13	APPROVED BY	DATE
ANGLES: ±		SCALE	DRAWING NUMBER
FINISH: ±		SCALE 0.200	SIZE
		SHT. 1 OF 7	REV. J
			49327