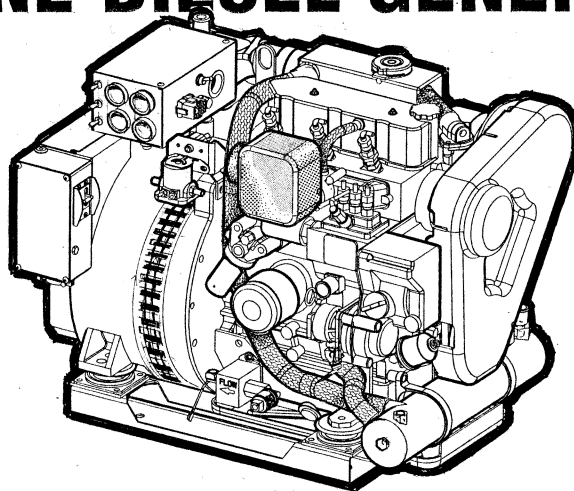




# PARTS LIST

7.6 BTD-60Hz      5.7 BTD-50Hz  
6.5 BTD-60Hz      5.0 BTD-50Hz


## MARINE DIESEL GENERATORS



PUBLICATION NO. 041800  
REVISION 3  
SEPTEMBER 2016



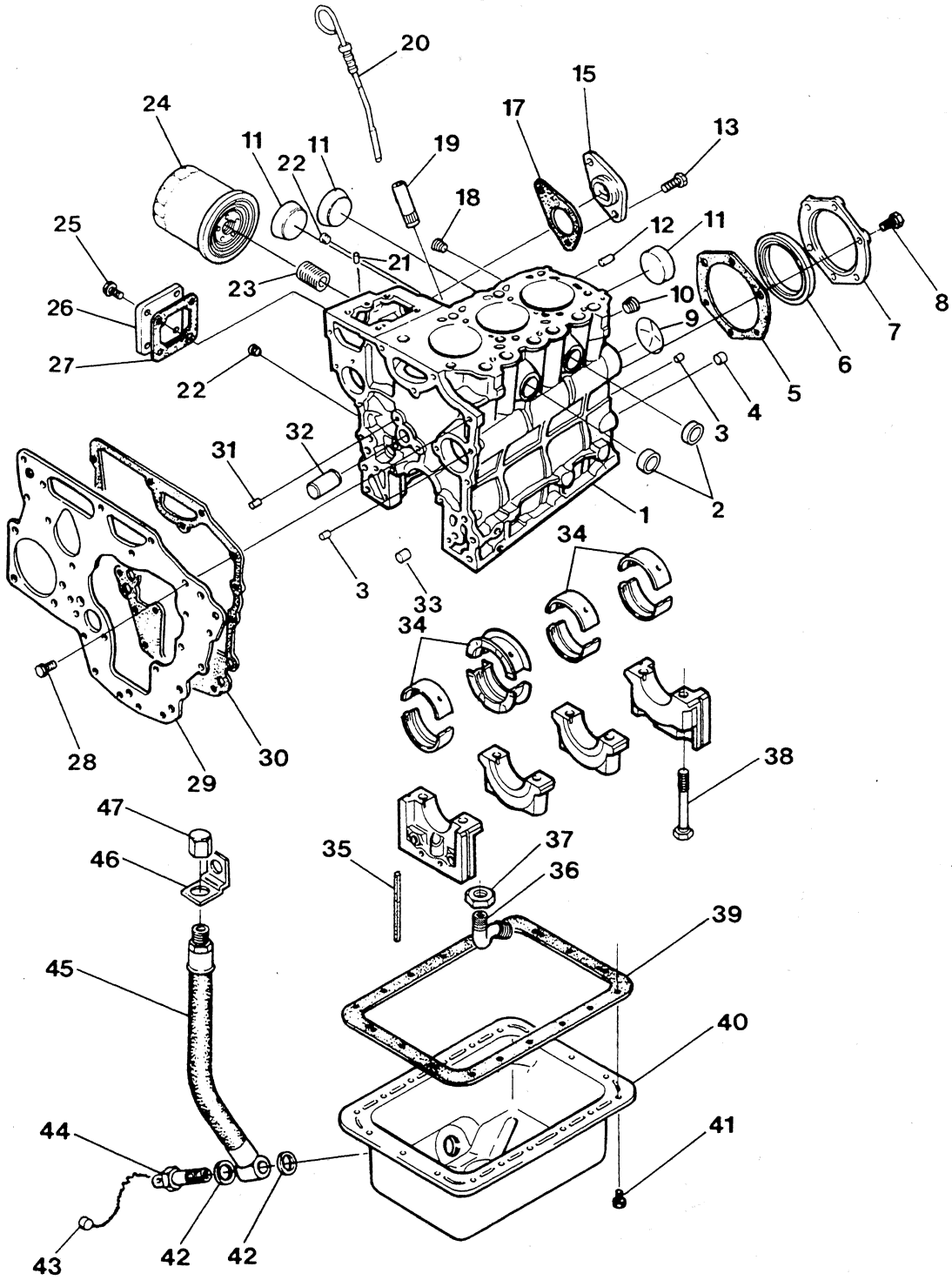
WESTERBEKE CORPORATION • MYLES STANDISH INDUSTRIAL PARK  
150 JOHN HANCOCK ROAD, TAUNTON, MA 02780-7319 U.S.A.  
TEL: (508)823-7677 • FAX: (508)884-9688 • WEBSITE: WWW.WESTERBEKE.COM

 Member National Marine Manufacturers Association

# TABLE OF CONTENTS

CYLINDER BLOCK.....	2
PARTS LIST .....	3
CYLINDER HEAD, VALVES & ROCKER SHAFT .....	4
PARTS LIST .....	5
CRANKSHAFT - PISTONS .....	6
PARTS LIST .....	7
CAMSHAFT - GEARCASE .....	8
PARTS LIST .....	9
COOLING SYSTEM.....	10
PARTS LIST .....	11
FUEL SYSTEM INJECTION PUMP / INJECTOR .....	12
PARTS LIST .....	13
FUEL SYSTEM LIFT PUMP / FUEL FILTER ASSEMBLY .....	14
PARTS LIST .....	15
RAW WATER PUMPS.....	16
PARTS LIST .....	17
GOVERNOR SYSTEM.....	18
PARTS LIST .....	19
ELECTRICAL SYSTEM.....	20
PARTS LIST .....	21
GENERATOR ASSEMBLY.....	22
PARTS LIST .....	23
AC OUTPUT CONNECTIONS.....	24
PARTS LIST .....	25
CIRCUIT BREAKER .....	26
PARTS LIST .....	27
PANEL BOX & HARNESS.....	28
PARTS LIST .....	29
CONTROL PANEL.....	30
PARTS LIST .....	31
BELT - IDLER PULLEY - BELTGUARD.....	32
PARTS LIST .....	33
SOUND GUARD (RED #040458).....	34
PARTS LIST .....	35
SOUND GUARD/PARTS LIST (#043132).....	36
SOUND GUARD/PARTS LIST (SST #049484 .....	37
PARTS LIST OF ASSEMBLIES.....	38

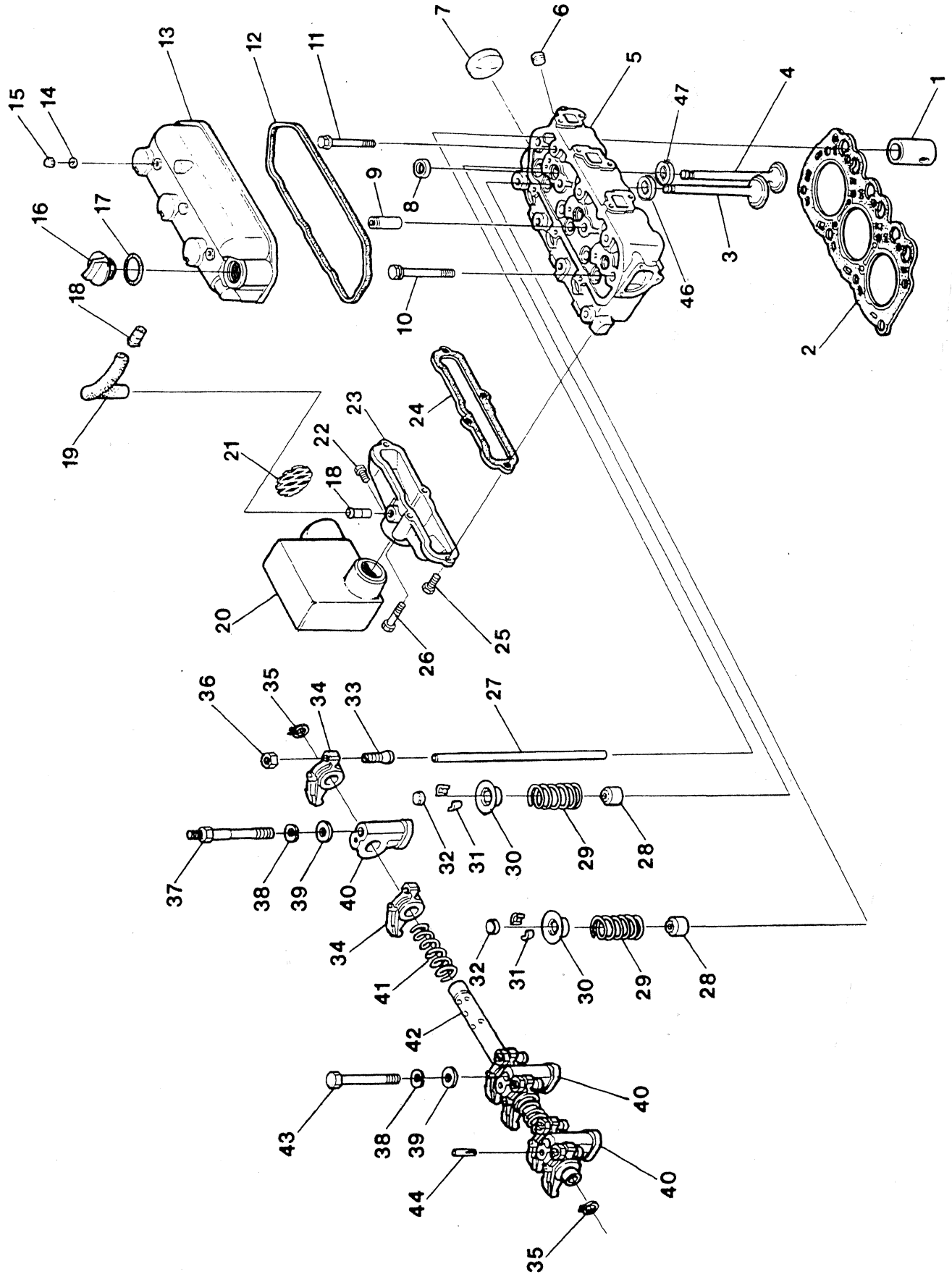
# CYLINDER BLOCK



# CYLINDER BLOCK

Item	Part No	Quantity	Name/Description	Item	Part No	Quantity	Name/Description
1	054199	1	BLOCK, ASSY INCL HEAD & INJECTION EQUIPEMENT	28-2	031783	7	LOCKWASHER M6 DIN 127
2	024373	2	PLUG, EXPANSION 25MM DIN 443	29	036997	1	PLATE, FRONT
3	033212	2	DOWEL TUBULAR 6X9	30	037004	1	GASKET, FRONT PLATE
4	030708	3	DOWEL, TUBULAR 10 X 9	31	030707	2	DOWEL, TUBULAR 8 X 13
5	036963	1	GASKET, OIL SEAL FLANGE	32	037005	1	SHAFT, IDLER
6	036917	1	SEAL, OIL	33	037114	1	DOWEL, TUBULAR 6 X 13
7	036945	1	FLANGE, OIL SEAL	34-1	037018	1	BEARING, SET-MAIN STD
8	018804	6	CAPSCREW, M6 X 20 DIN 933	34-2	037062	1	BEARING, SET-MAIN 0.25 MM
9	036940	1	PLUG, EXPANSION 35MM DIN 470	34-3	037063	1	BEARING, SET-MAIN 0.50 MM
10	030712	1	PLUG, 1/4 BSPT DIN 906	35	036962	4	SEAL, SIDE MAIN BEARING CAP
11	033657	3	PLUG, EXPANSION 401'11'1 DIN 443	36	037068	1	STRAINER, OIL PICKUP INCLUDING NUT
12	030272	1	DOWEL	37	031809	1	NUT H14 X 1.5 JAM
13	017196	1	CAPSCREW, M8 X 20 DIN 933	38-1	036916	8	BOLT, MAIN BEARING CAP
14	024948	1	CAPSCREW, M8 X 45 DIN 931	38-2	056140	8	BOLT, MAIN BEARING CAP FROM SERIAL # 186680
15	037074	1	ADAPTER, LIFT PUMP	39-1	036988		
16	018249	2	STUD, M6 X 16 DIN 939	39-2	056141	1	GASKET, LUBE OIL SUMP FROM SERIAL # 186680
17	036987	1	GASKET, LIFT PUMP ADAPTER TO BLOCK	40-1	037095		
18	013341	1	PLUG, 1/4 NPT HEX HEAD BRASS	40-2	056157	1	SUMP. LUBE OIL FROM SERIAL # 186680
19	037073	1	TUBE, DIPSTICK	41-1	031825	18	CAPSCREW, M6 X 12 DIN 933
20	037072	1	DIPSTICK	41-2	031783	18	LOCKWASHER, M6 DIN 127
21	036943	2	DOUEL	42	036493	2	WASHER, SUMP DRAIN BANJO
22	030239	3	PLUG, 1/16	43	037393	1	SEAL, LEAD WIRE
23	030214	1	NIPPLE, OIL FILTER	44	036819	1	BOLT, BANJO-SUMP DRAIN
24	036918	1	FILTER, LUBE OIL	45	030846	1	HOSE, SUMP DRAIN
25-1	031810	4	CAPSCREW, M6 X 14 DIN 933	46	024922	1	BRACKET, SUMP DRAIN HOSE
25-2	031783	4	LOCKWASHER, M6 DIN 127	47	024905	1	CAP, SUMP DRAIN HOSE
26	037045	1	COVER, TIE ROD				
27	036981	1	GASKET, TIE ROD COVER				
28-1	031810	7	CAPSCREW M6 X 14 DIN 933				

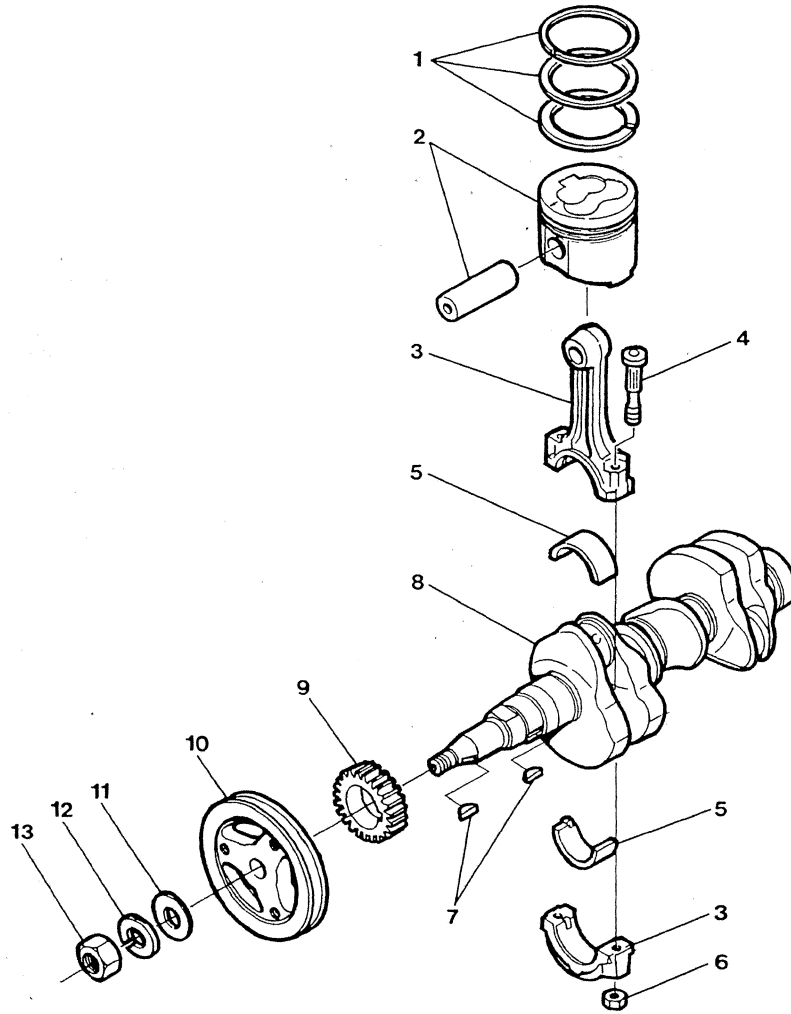
# CYLINDER HEAD, VALVES & ROCKER SHAFT



# CYLINDER HEAD, VALVES & ROCKER SHAFT

Item	Part No	Quantity	Name/Description	Item	Part No	Quantity	Name/Description
1	037056	6	TAPPET	22-3	031784	1	WASHER M6 DIN 125
2	036969	1	GASKET, CYLINDER HEAD	24	036980	1	MANIFOLD, INTAKE GASKET INTAKE MANIFOLD TO HEAD
3	036958	3	VALVE, INTAKE 26.7MM DIA.	25	018804	2	CAPSCREW, M6 X 20 DIN 933
4-1	036959	3	VALVE, EXHAUST 24.7MM DIA.	26	034642	2	CAPSCREW, M6 X 45 DIN 931
4-2	056139	3	VALVE, EXHAUST 24.72MM DIA.	27	037026	6	PUSHROD
5-1	037084	1	HEAD, CYLINDER INCLUDING GUIDES	28	030242	6	SEAL, VALVE STEM
5-2	056137	1	HEAD, CYLINDER INCLUDING GUIDES & VALVE SEAT INSERTS	29	036986	6	SPRING, VALVE
6	030711	1	PLUG, 1/8 BSPT DIN 906	30	033149	6	SEAT, VALVE SPRING
7	033657	1	PLUG, EXPANSION 40MM DIN 443	31	030241	12	COLLET, VALVE SPRING
8	024369	3	PLUG, EXPANSION 20MM DIN 443	32	036979	6	CAP, VALVE STEM
9	033134	6	GUIDE, VALVE 6	33	037029	6	SCREW, ROCKER ADJUSTING
10	036954	8	BOLT, CYLINDER HEAD M10 X 83	34	037027	6	ROCKER
11	036919	3	BOLT, CYLINDER HEAD M8 X 70	35	033124	2	RING RETAINING
12	037007	1	GASKET, ROCKER COVER	36	031801	6	NUT, M6 JAM
13-1	037087	1	COVER, ROCKER	37	037053	2	BOLT, ROCKER BRACKET
13-2	056138	1	COVER, ROCKER INCL GASKET FROM SERIAL # 32840	38	031786	3	LOCKWASHER M8 DIN 127
14	031784	2	WASHER, M6 DIN 125	39	031787	3	WASHER M8 DIN 125
15	036936	6	NUT, CAP M6	40	033152	3	BRACKET, ROCKER
16-1	033126	1	CAP OIL FILLER INCLUDING O-RING (METAL)	41	033151	2	SPRING, ROCKER SHAFT
16-2	041487	1	CAP, OIL FILLER (RUBBER)	42	036967	1	SHAFT, ROCKER
17	033123	1	O-RING, OIL FILLER CAP	43	031225	1	CAPSCREW, M8 X 60 DIN 931
18	030219	2	NIPPLE, BREATHER HOSE	44	036960	1	PIN, GROOVED
19	037046	1	HOSE, BREATHER	45	041250	1	EYE, FRONT LIFTING
20	037191	1	SILENCER, AIR INTAKE	46	056155	3	SEAT - INTAKE VALVE CYL HEAR 056137
21	034620	1	SCREEN, AIR INTAKE SILENCER	47	056156	3	SEAT - EXHAUST VALVE CYL HEAD 056137
22-1	017012	1	CAPSCREW M6 X 16 DIN 933				
22-2	031783	1	LOCKWASHER M6 DIN 127				

# CRANKSHAFT - PISTONS



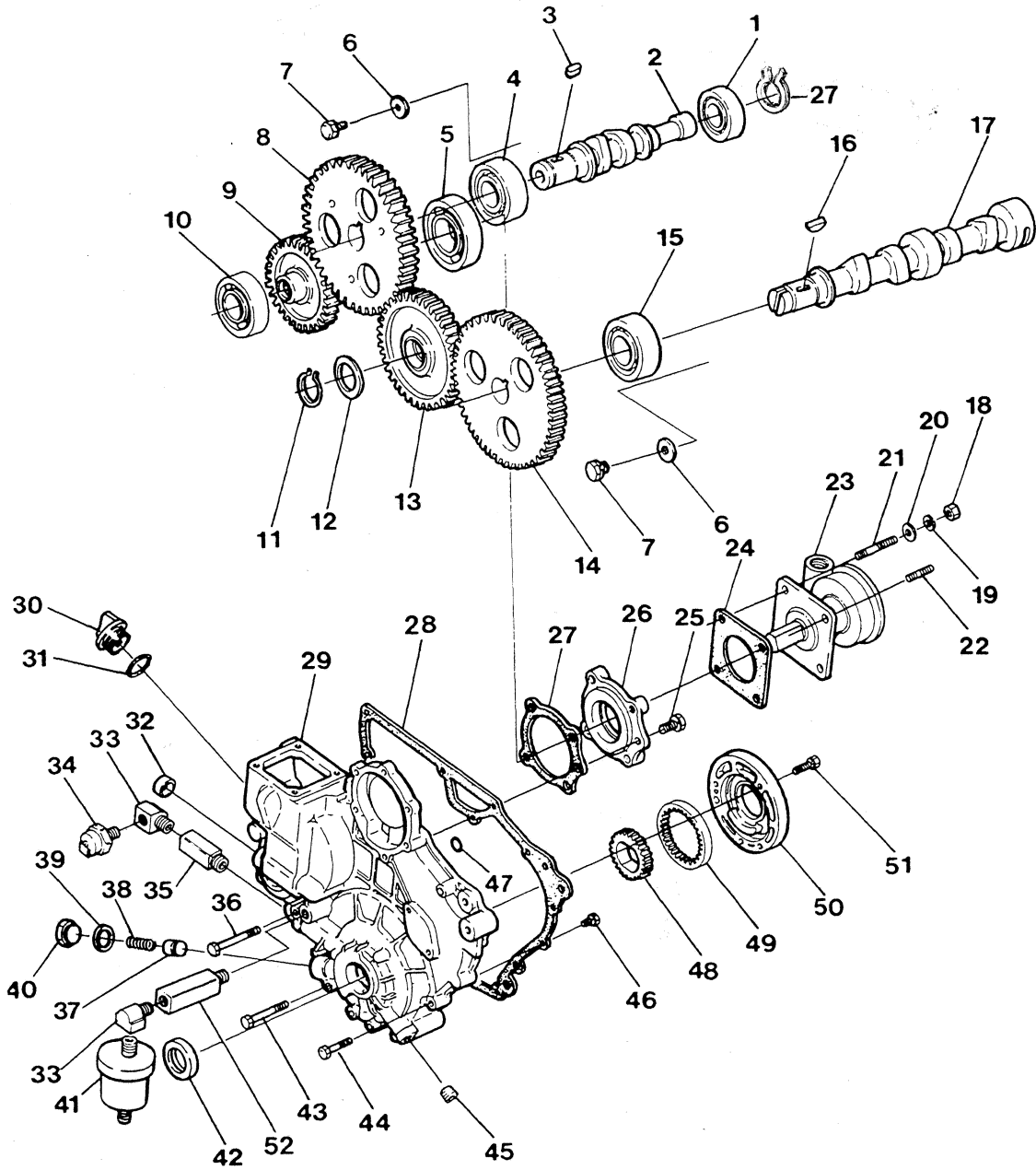
# CRANKSHAFT - PISTONS

Item	Part No.	Quantity	Name/Description
1-1	037047	3	RING SET, PISTON STD
1-2	037060	3	RING SET, PISTON 0.25 MM
1-3	037061	3	RING SET, PISTON 0.50 MM
2-1	037071	3	PISTON, 18 MM WRIST PIN STD
2-2	037058	3	PISTON, 18 MM WRIST PIN 0.25 MM
2-3	037059	3	PISTON, 18 MM WRIST PIN 0.50 MM
2-4	052437	3	PISTON, 21 MM WRIST PIN STD
2-5	052438	3	PISTON, 21 MM WRIST PIN 0.25 MM O/S
2-6	052439	3	PISTON, 21MM WRIST PIN 0.50 MM O/S
3-1	037077	3	ROD, ASSY FOR 18 MM WRIST PIN
3-2	052440	3	ROD, ASSY FOR 21 MM WRIST PIN
4	036914	6	BOLT, CONNECTING ROD
5-1	037069	3	BEARING, SET-CONNECTING ROD STD
5-2	037066	3	BEARING, SET-CONNECTING ROD 0.25 MM
5-3	037067	3	BEARING, SET-CONNECTING ROD 0.50 MM
6	030231	6	NUT, CONNECTING ROD BOLT
7	030274	2	KEY, WOODRUFF
8-1	036991	1	CRANKSHAFT, TO DECEMBER 1992 (D212)
8-2	040926	1	CRANKSHAFT, FROM DECEMBER 1992 (D212)
9	036994	1	GEAR, CRANKSHAFT
10-1	036993	1	PULLEY, CRANKSHAFT 36991
10-2	040925	1	PULLEY, CRANKSHAFT 40926
11	037167	1	WASHER, M16
12	037168	1	LOCKWASHER, M16
13	033538	1	NUT, M16 JAM

**NOTE:** Refer to Westerbekes parts bulletin #2010-2



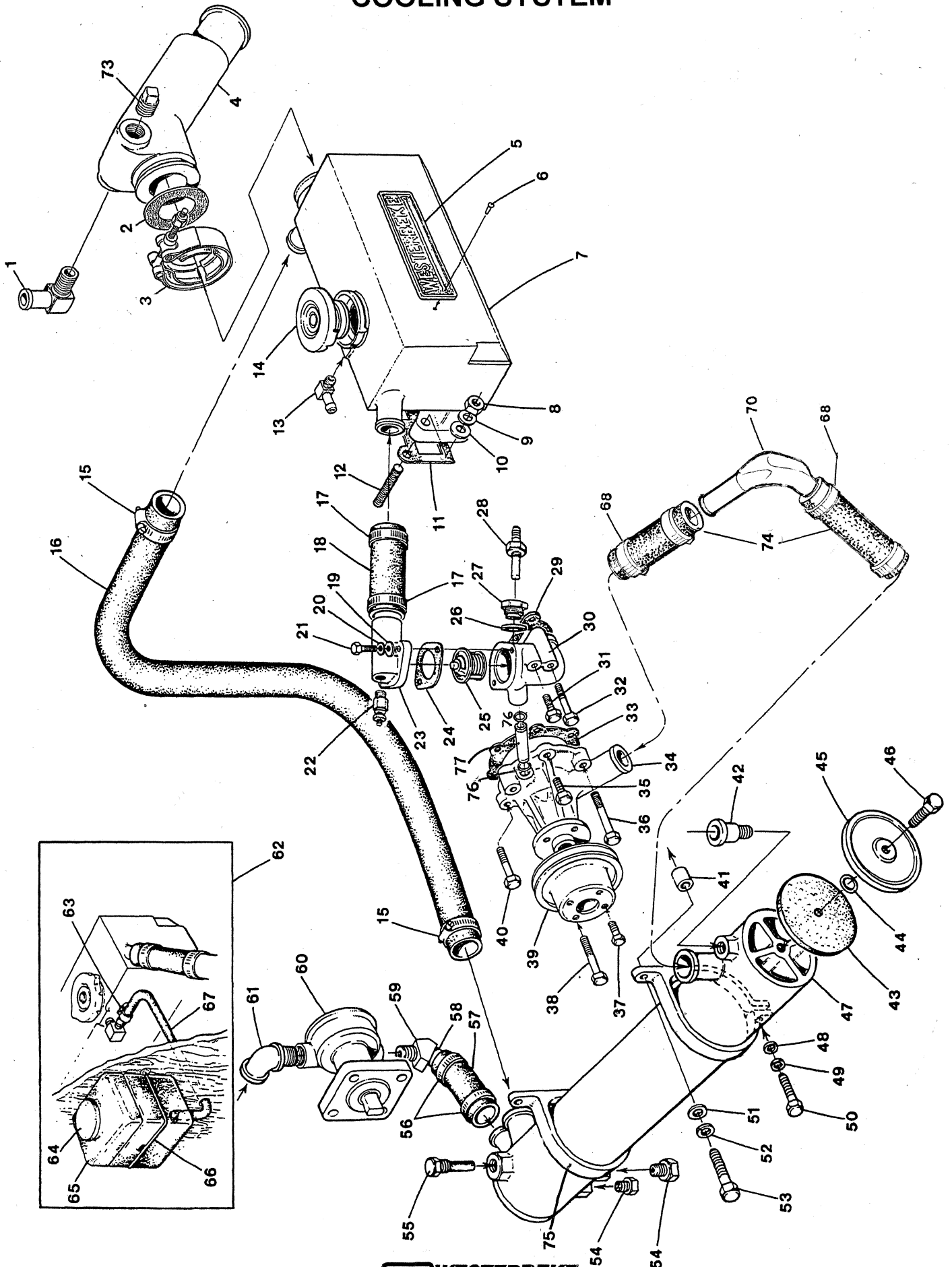
# CAMSHAFT - GEAR CASE



# CAMSHAFT - GEAR CASE

Item	Part No	Quantity	Name/Description	Item	Part No	Quantity	Name/Description
1	036949	1	BEARING, BALL	27	036982	1	GASKET, HOUSING
2	037075	1	CAMSHAFT, INJECTION PUMP	28	037019	1	GASKET, GEAR CASE
3	030273	1	KEY	29	037086	1	CASE, GEAR
4	036948	1	BEARING, BALL	30	033126	1	CAP, OIL FILLER INCLUDING O-RING
5	036950	1	BEARING, BALL	31	033123	1	O-RING, OIL FILLER CAP
6	036970	2	WASHER, CAMSHAFT RETAINING	32	036968	1	CAP, SEALING
7-1	031825	2	CAPSCREW, M6 X 12 DIN 933	33	013340	2	ELBOW, 1/8 NPT STREET 90
7-2	031783	2	LOCKWASHER, M6 DIN 127	34	037323	1	SWITCH, OIL PRESSURE
8	037006	1	GEAR, INJECTION PUMP CAMSHAFT	35	037508	1	ADAPTER, 1/8 BSPT TO 1/8 NPT
9	036996	1	GEAR, SEA WATER PUMP DRIVE	36	034397	1	CAPSCREW, M6 X 65 DIN 931
10	036948	1	BEARING, BALL	37	030244	1	PLUNGER, OIL RELIEF VALVE
11	030280	1	RING, RETAINING 20	38	037030	1	SPRING, OIL RELIEF VALVE
12	036978	1	SPACER	39	030225	1	GASKET, OIL RELIEF VALVE
13	037025	1	GEAR, IDLER	40	030461	1	PLUG, OIL RELIEF VALVE
14	036995	11	GEAR, CAMSHAFT	41	024132	1	SENDER, OIL PRESSURE
15	036948	1	BEARING, BALL	42	036915	1	SEAL, OIL
16	030274	1	KEY, WOODRUFF	43	030146	4	CAPSCREW M6 X 55 DIN 931
17	037017	1	CAMSHAFT	44	031824	3	CAPSCREW M6 X 35 DIN 933
18	018242	4	NUT, M8 DIN 934	45	030712	1	PLUG, 1/4 BSPT DIN 906
19	031786	4	LOCKWASHER, M8 DIN 127	46-1	031810	4	CAPSCREW, M6 X 14 DIN 933
20	031787	4	WASHER, M8 DIN 125	46-2	031783	4	LOCKWASHER, M6 DIN 127
21	031281	3	STUD, M8 X 40 DIN 939	47	036938	2	O-RING
22	015828	1	STUD, M8 X 22 DIN 939	48	037050	1	GEAR, OIL PUMP INNER
23	033636	1	PUMP, SEA WATER	49	037051	1	GEAR, OIL PUMP OUTER
24	030326	1	GASKET, SEA WATER PUMP MOUNTING	50	037070	1	HOUSING, OIL PUMP
25-1	013630	1	CAPSCREW, M8 X 25 DIN 933	51-1	013590	3	CAPSCREW M6 X 30 DIN 933
25-2	031786	1	LOCKWASHER, M8 DIN 127	51-2	031783	3	LOCKWASHER M6 DIN 127
26	036946	1	HOUSING, BEARING	52	024844	1	ADAPTER, 1/8 BSPT TO 1/8 NPT
27	056154	1	RING, RETAINING				

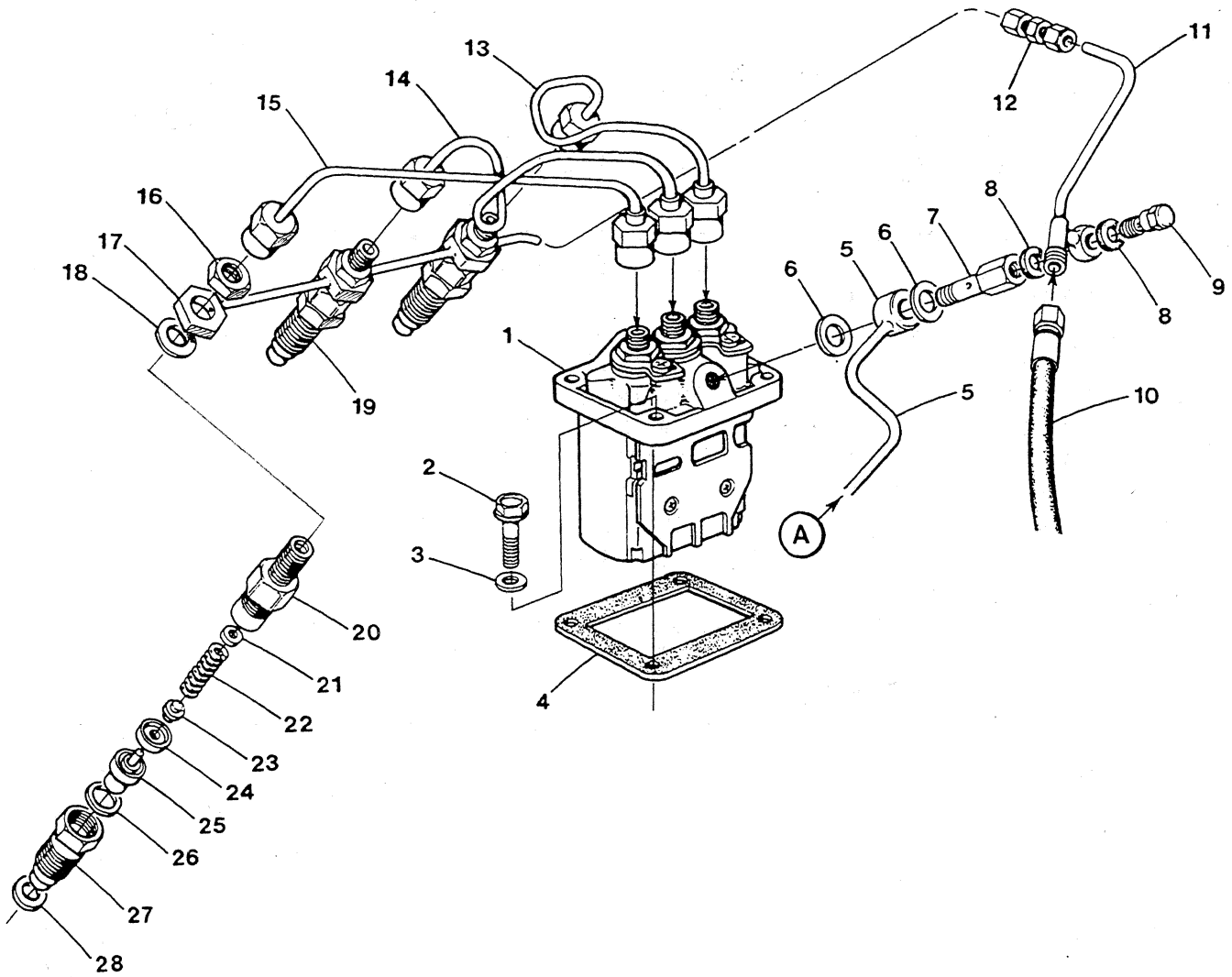
# COOLING SYSTEM



# COOLING SYSTEM

Item	Part No	Quantity	Name/Description	Item	Part No	Quantity	Name/Description
1	036616	1	ELBOW, 1/2 NPT TO 1 HOSE	40	031824	1	CAPSCREW M6 X 35 DLN 933
2	036425	1	GASKET, EXHAUST ELBOW TO MANIFOLD	41	034497	2	SPACER, EXCHANGER TO BLOCK
3	036541	1	CLAMP, EXHAUST ELBOW TO MANIFOLD	42	036622	1	NIPPLE, 3/4 NPT TO 1 HOSE
4	037534	1	ELBOW, WATER INJECTED EXHAUST 45 DEGREE	43	022851	2	GASKET, EXCHANGER END COVER
5	035411	1	NAMEPLATE	44	019321	2	O-RING
6	031935	2	SCREW 8-32 X 1/4 SS OVAL HEAD	45	022850	2	COVER, EXCHANGER END
7	037312	1	MANIFOLD EXHAUST	46	022852	2	CAPSCREW, 3/SNC X 3/4 BRASS
8	018242	5	NUT M8 DIN 934	47-1	038147	1	EXCHANGER, HEAT (COPPER)
9	031786	6	LOCKWASHER, M8 DIN 127	47-2	044047	1	EXCHANGER, HEAT (CUPRO-NICKEL)
10	031787	5	WASHER, FIL 8 DIN 125	48	031753	2	WASHER, FLAT 1/4
11	036955	1	GASKET, MANIFOLD TO HEAD	49	031752	2	LOCKWASHER, 1/4
12-1	015830	5	STUD, M8 X 25 DIN 939	50	031506	2	CAPSCREW, 1/4NC X 1-1/4
12-2	298460	1	CAPSCREW, M8 X 25 MANIFOLD (LOWER REAR)	51	031789	2	WASHER, M10 DIN 125
13	024907	1	ELBOW, COOLANT RECOVERY TANK CONNECTION	52	019262	2	LOCKWASHER, M10 DIN 127
14	024306	1	CAP, PRESSURE	53	041130	2	CAPSCREW, M10 X 1.25 X 45 JIS
15	011405	2	CLAMP, HOSE 16 2	54	019369	2	PLUG, 1/S NPT BRASS
16	038079	1	HOSE, MANIFOLD TO EXCHANGER	55	011885	1	ZINC
17	011405	2	CLAMP, HOSE 16 2	56	011386	2	CLAMP, HOSE 12
18	037383	1	HOSE, THERMOSTAT TO MANIFOLD	57	038080	1	HOSE, SEA WATER PUMP TO EXCHANGER
19	031784	2	WASHER, M6 DIN 125	58	032947	1	NIPPLE, 3/8 NPT TO 7/8 HOSE
20	031783	2	LOCKWASHER, M6 DIN 127	59	013337	1	ELBOW, 3/8 NPT STREET 45
21	018804	2	CAPSCREW, FIL 6 X 20 DIN 933	60	048080	1	PUMP, SEA WATER
22	039550	1	SWITCH, WATER TEMPERATURE	61	038076	1	ELBOW, 3/8 NPT TO 1 HOSE
23	036228	1	HOUSING, THERMOSTAT	62	024977	1	KIT, COOLANT RECOVERY TANK
24	036956	1	GASKET, THERMOSTAT	63	024906	2	CLAMP, HOSE
25	037043	1	THERMOSTAT,	64	024858	1	CAP, COOLANT RECOVERY TANK
26	037162	1	GASKET, ADAPTER TO HOUSING	65	024704	1	TANK, COOLANT RECOVERY
27	024602	1	ADAPTER, M16 X 1.5 TO 1/8 NPT	66	024786	1	STRAP, COOLANT RECOVERY TANK MOUNTING
28	035109	1	SENDER, WATER TEMPERATURE	67	024637	60	TUBING, INCHES REQUIRED
29	037016	1	GASKET, WATER THERMOSTAT HOUSING	68	011405	4	CLAMP, HOSE 16
30	037057	1	HOUSING, WATER THERMOSTAT	69	012292	2	CLAMP, SUPPORT HOSE
31	018804	2	CAPSCREW, M6 X 20 DIN 933	70	049974	1	ADAPTER, FRESH WATER PUMP INLET
32	033351	1	CAPSCREW, M6 X 60 DIN 931	71-1	031783	1	LOCKWASHER, M6 DIN 127
33	036957	1	GASKET, FRESH WATER PUMP	71-2	031784	1	WASHER M6 DIN 125
34	037015	1	PUMP, FRESH WATER	72	031825	1	CAPSCREW M6 X 12 DIN 933
35	018804	2	CAPSCREW, M6 X 20 DIN 933	73	035747	1	PLUG, 1/2 NPT SQ HEAD BRASS
36	030146	2	CAPSCREW, M6 X 55 DIN 931	74	015774	<i>Per Inch</i>	HOSE, 1 1/8 WIRE INSERTED
37-1	031825	4	CAPSCREW, M6 X 12 DIN 933	75	034434	2	BRACKET, HEAT EXCHANGER
37-2	031783	4	LOCKWASHER, M6 DIN 127	76	036937	2	O RING, BY-PASS TUBE
38	034642	1	CAPSCREW, M6 X 45 DIN 931	77	036947	1	TUBE, BY-PASS
39	030386	1	PULLEY, FRESH WATER PUMP				

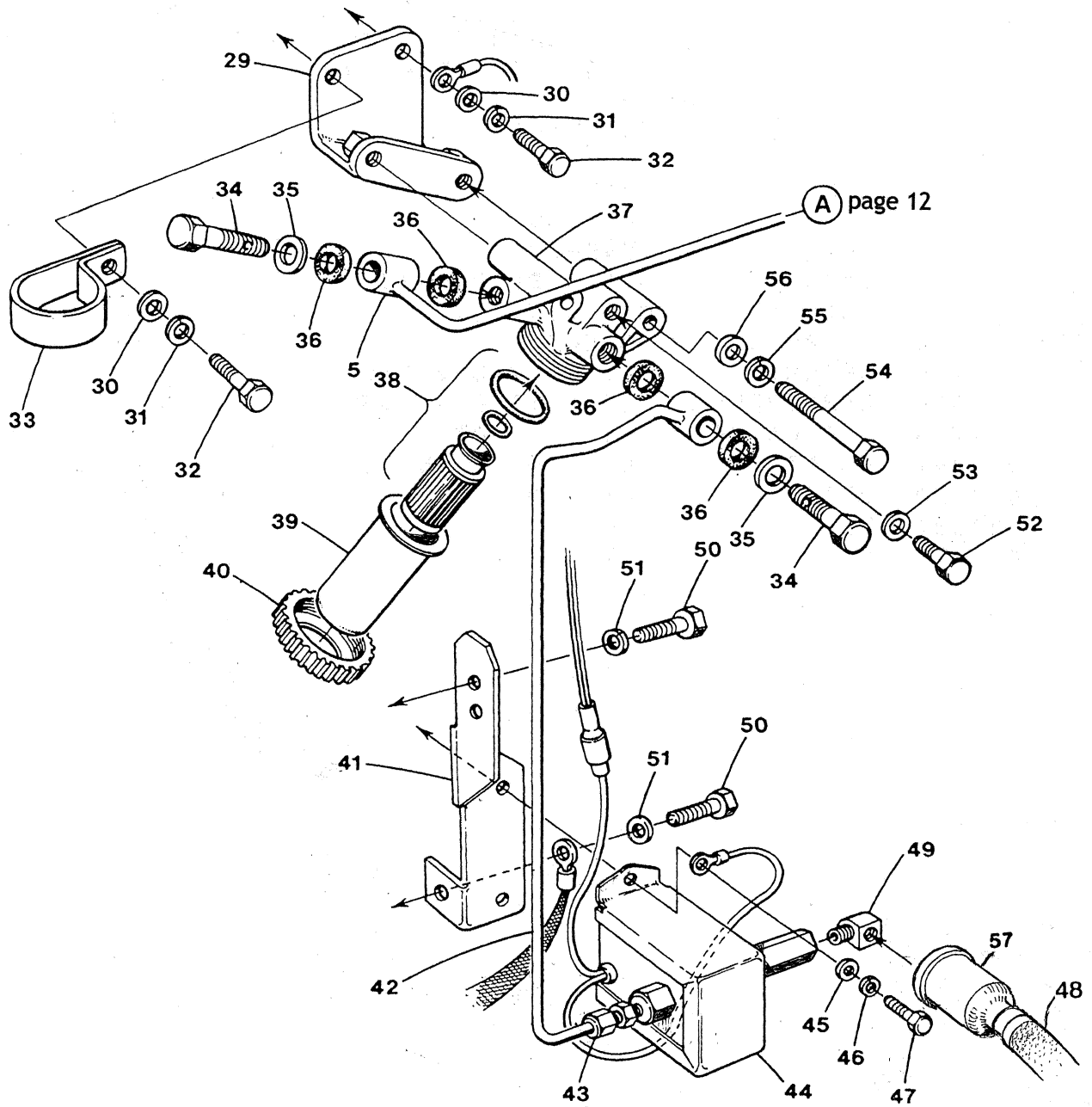
# FUEL SYSTEM INJECTION PUMP/INJECTOR



# FUEL SYSTEM - INJECTION PUMP/INJECTOR

Item	Part No	Quantity	Name/Description	Item	Part No	Quantity	Name/Description
1-1	037103	1	PUMP - FUEL INJECTION	16	036921	3	NUT - INJECTOR
1-2	056149	1	PUMP - FUEL INJECTION FROM SERIAL # 186680	17	037099	1	LINE - INJECTOR RETURN
2	018804	4	CAPSCREW - M6 X 20 DIN 933	18	036922	3	GASKET - INJECTOR RETURN
3	031783	4	LOCKWASHER - M6 DIN 127	19-1	037091	3	INJECTOR - INCLUDING REF 20 THRU 27
4-1	036964	<i>As Req.</i>	SHIM - ADJUSTING 0.2MM	19-2	056150	3	INJECTOR - INCLUDING REF 20 THRU 27 FROM SERIAL # 186680
4-2	036965	<i>As Req.</i>	SHIM - ADJUSTING 0.3MM	20-1	037112	1	HOLDER - INJECTOR
4-3	037009	<i>As Req.</i>	SHIM - ADJUSTING 0.4MM	20-2	056152	1	HOLDER - INJECTOR FROM SERIAL # 186680
4-4	036966	<i>As Req.</i>	SHIM - ADJUSTING 0.5MM	21-1	036925	<i>As Req.</i>	SHIM - INJECTOR 1.25
4-5	037101	<i>As Req.</i>	SHIM - ADJUSTING 0.6MM	21-2	036926	<i>As Req.</i>	SHIM - INJECTOR 1.30
4-6	037011	<i>As Req.</i>	SHIM - ADJUSTING 0.7MM	21-3	036927	<i>As Req.</i>	SHIM - INJECTOR 1.35
4-7	037012	<i>As Req.</i>	SHIM - ADJUSTING 0.8MM	21-4	036928	<i>As Req.</i>	SHIM - INJECTOR 1.40
4-8	037013	<i>As Req.</i>	SHIM - ADJUSTING 0.9MM	21-5	036929	<i>As Req.</i>	SHIM - INJECTOR1.45
4-9	037014	<i>As Req.</i>	SHIM - ADJUSTING 1.0MM	21-6	036930	<i>As Req.</i>	SHIM - INJECTOR 1.50
5	038401	1	LINE - LIFT PUMP TO INJECTION PUMP	21-7	036931	<i>As Req.</i>	SHIM - INJECTOR 1.55
6	037105	2	WASHER - BANJO	21-8	036932	<i>As Req.</i>	SHIM - INJECTOR1.60
7	038399	1	BOLT - BANJO	21-9	036933	<i>As Req.</i>	SHIM - INJECTOR 1.65
8	030289	2	WASHER - BANJO M8	21-10	036934	<i>As Req.</i>	SHIM - INJECTOR 1.70
9	016988	1	BOLT - BANJO M8	22-1	037106	1	SPRING - INJECTOR
10	034857	1	HOSE - FUEL RETURN	22-2	056153	1	SPRING - INJECTOR FROM SERIAL # 186680
11	038429	1	LINE - INJECTION RETURN TO PUMP	23	037107	1	PIN - INJECTOR SPRING
12-1	024600	1	UNION - COMPRESION INCLUDING NUTS & FERRULES	24	037108	1	SPACER - INJECTOR
12-2	013344	2	NUT - COMPRESSION	25-1	036935	1	NOZZLE - INJECTOR
12-3	013343	2	FERRULE - COMPRESSION	25-2	056151	1	NOZZLE - INJECTOR FROM SERIAL # 186680
13-1	036951	1	LINE - INJECTOR 1	26	037113	1	GASKET - INJECTOR NOZZLE
13-2	056142	1	LINE - INJECTOR FROM SERIAL # 186680	27-1	037109	1	NUT - INJECTOR NOZZLE
14-1	036952	1	LINE - INJECTOR 2	27-2	056159	1	NUT - INJECTOR NOZZLE FROM SERIAL # 186680
14-2	056143	1	LINE - INJECTOR 2 FROM SERIAL # 186680	28	036923	3	GASKET - INJECTOR
15-1	036953	1	LINE - INJECTOR 3				
15-2	056144	1	LINE - INJECTOR 3 FROM SERIAL # 186680				

# FUEL SYSTEM LIFT PUMP/FUEL FILTER ASSEMBLY

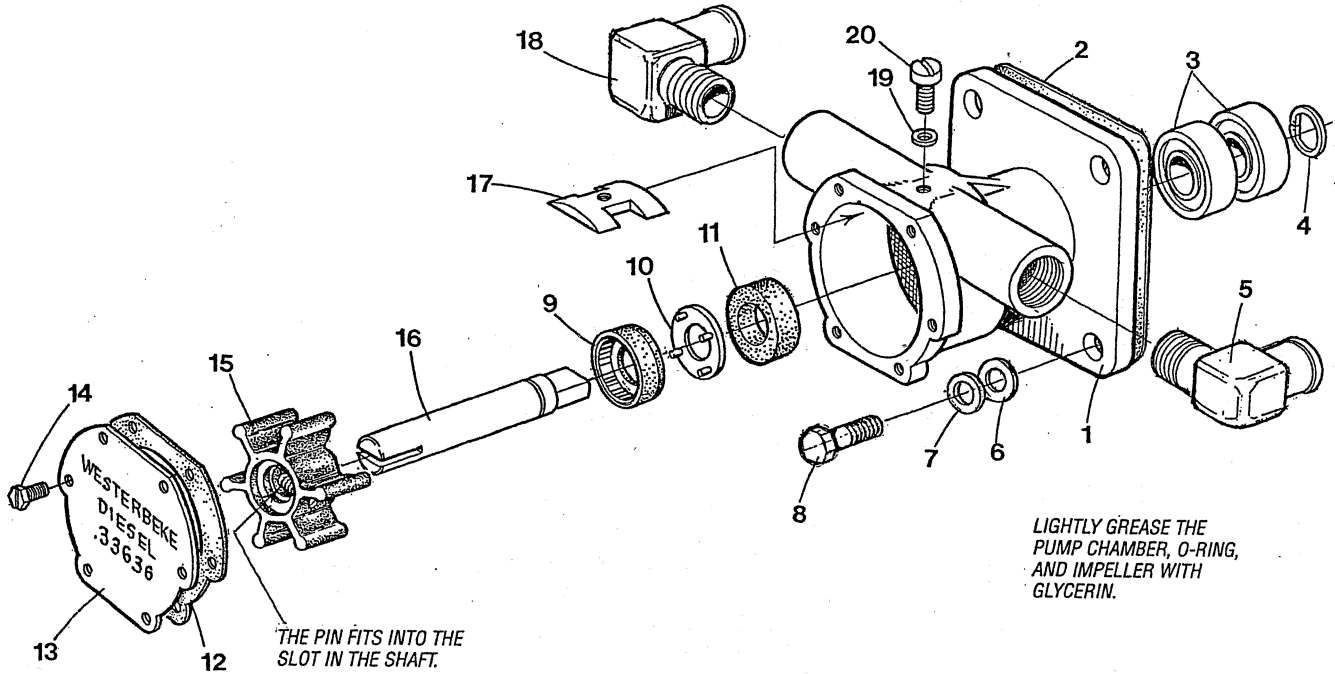


# FUEL SYSTEM LIFT PUMP/FUEL FILTER ASSEMBLY

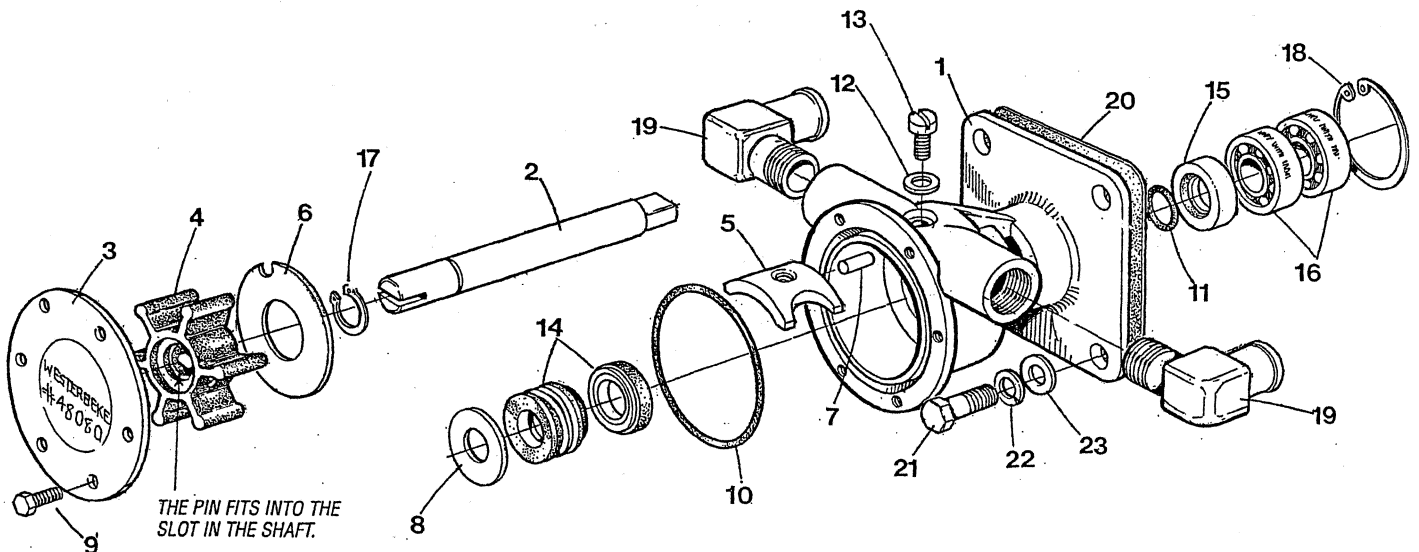
Item	Part No	Quantity	Name/Description	Item	Part No	Quantity	Name/Description
29	038084	1	BRACKET - FUEL FILTER	43-2	016676	1	NUT - COMPRESSION
30	031787	2	WASHER - M8 DIN 125	43-3	011597	1	FERRULE - COMPRESSION
31	031786	2	LOCKWASHER - M8 DIN 127	44-1	039275	1	PUMP - FUEL LIFT 12 VDC
32	017196	2	CAPSCREW - M8 X 20 DIN 933	44-2	046631	1	PUMP - FUEL LIFT 24VDC
33	013741	1	CLAMP - SUPPORT HOSE	45	031753	2	WASHER - FLAT 1/4
34	024984	2	BOLT - BANJO	46	031752	2	LOCKWASHER - 1/4
35	024972	2	WASHER - ALUMINUM	47	031501	2	CAPSCREW - 1/4NC X 1/2
36	030291	4	WASHER - BANJO	48	030025	1	HOSE - FUEL SUPPLY
37-1	030210	1	FILTER - FUEL ASSEMBLY INCL REF 37 THRU 30	49	013340	1	ELBOW - 1/8 NPT STREET 90
37-2	030211	1	BODY - FUEL FILTER	50	034589	2	CAPSCREW - M10 X 30 DIN 933
38	030200	1	ELEMENT - FUEL FILTER INCLUDING O-RINGS	51	019262	2	LOCKWASHER - M10 DIN 127
39	030199	1	CUP - FUEL FILTER	52	030213	1	SCREW - BLEED
40	030212	1	RETAINER - FUEL FILTER	53	030289	1	WASHER
41	038686	1	BRACKET - LIFT PUMP	54	031560	2	CAPSCREW - 5/16NC X 2-1/4
42	038896	1	LIFT PUMP TO FILTER	55	031758	2	LOCKWASHER - 5/16
43-1	013329	1	ELBOW - 1/8 NPT TO 1/4 COMPRESSION	56	031759	2	WASHER - FLAT 5/16
				57	048076	1	FILTER - INLET TO PUMP



## RAW WATER PUMP (EARLY MODEL)



## RAW WATER PUMP (CURRENT MODEL)



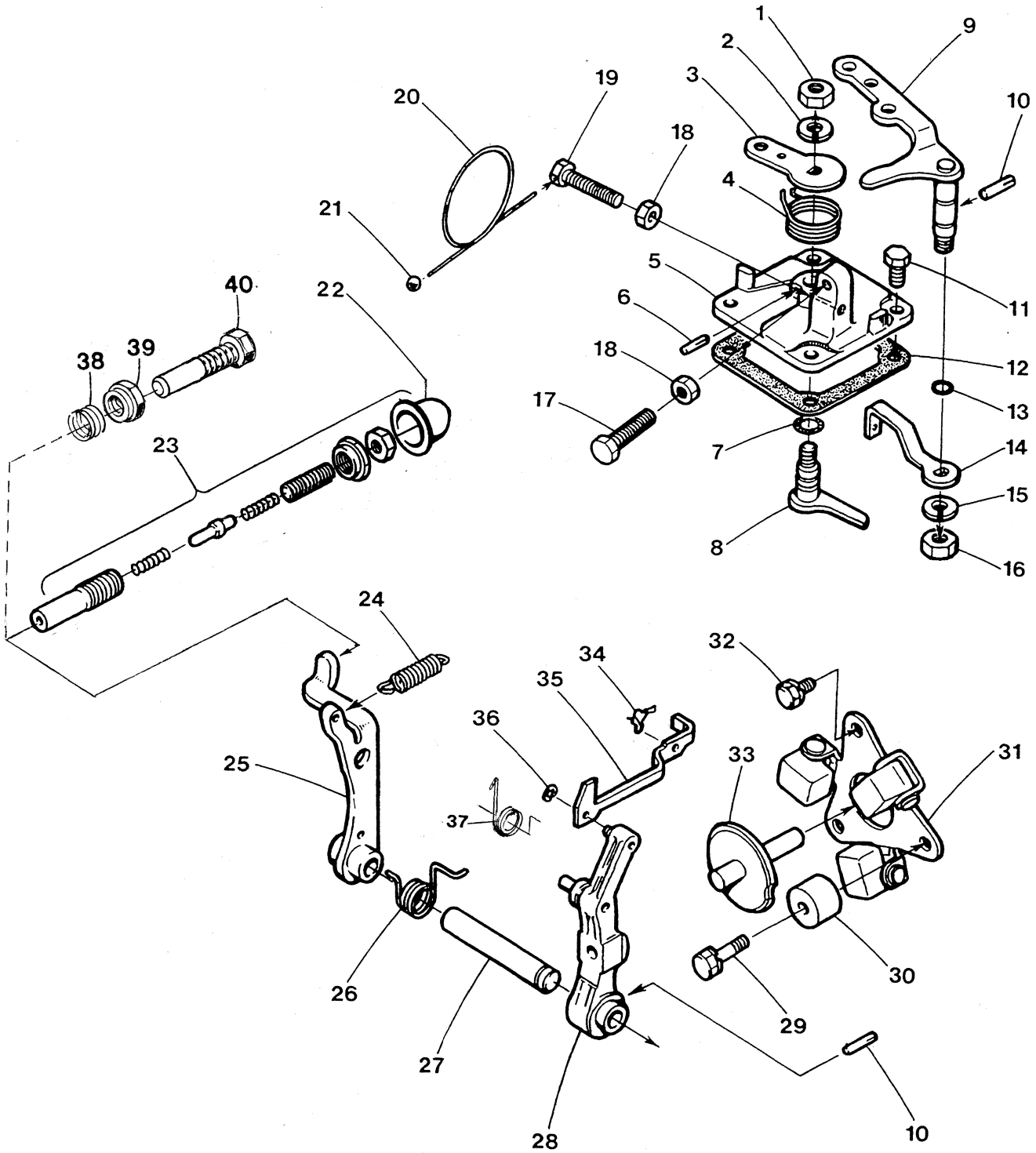
## RAW WATER PUMP (EARLY MODEL)

Item	Part No	Quantity	Name/Description
1-2	033636	1	RAW PUMP <i>(no longer available)</i>
1-3	034466	1	PUMP KIT
2	030326	1	GASKET
3	034464	2	BEARING
4	033044	1	RETAINING RING
5	034710	1	ELBOW, 3/8NPT TO 7/8 HOSE <i>(not incl. with pump)</i>
6	031787	4	WASHER, M8 DIN 125
7	031786	4	LOCKWASHER, M8 DIN 127
8	017196	4	CAPSCREW, M8 X 20 DIN 933
9	048013	1	SEAL
10	038678	1	SPACER
11	033043	1	OIL SEAL
12	034459	1	GASKET
13	034461	1	COVER
14	034463	6	SCREW
15	034440	1	IMPELLER, SCREW-GASKET KIT
16	034460	1	SHAFT
17	034458	1	CAM
18	036612	1	ELBOW, 3/8NPT TO 1" HOSE <i>(not incl. with pump)</i>
19	033037	1	WASHER
20	034462	1	SCREW

## RAW WATER PUMP (CURRENT MODEL)

Item	Part No	Quantity	Name/Description
1	048080	1	RAW WATER PUMP
2	049172	1	SHAFT
3	049170	1	IMPELLER COVER
4	048500	1	IMPELLER KIT (O-RING & GLYCERIN)
5	034458	1	CAM
6	049171	1	WEAR PLATE
7	0302575	1	DOWEL
8	048253	1	SPRING SEAL WASHER
9	034463	6	IMPELLER COVER SCREW
10	048359	1	IMPELLER COVER O-RING
11	033041	1	O-RING
12	033037	1	CAM WASHER
13	046662	1	CAM SCREW
14	048254	1	SPRING SEAL
15	049169	1	LIP SEAL
16	034464	2	BALL BEARING
17	033045	1	RETAINING INTERNAL RING
18	033044	1	RETAINING EXTERNAL RING
19	034710	1	ELBOW, 3/8" NPT TP 7/8" HOSE
	036612	1	ELBOW 3/8" NPT TO 1" HOSE
20	030326	1	MOUNTING GASKET
	049000	1	PUMP REPAIR KIT (INCLUDES ALL COMPONENTS EXCEPT ITEMS 1, 7, & 19)
	037431	1	PUMP KIT (PUMP MOUNTING GASKET & FITTINGS)

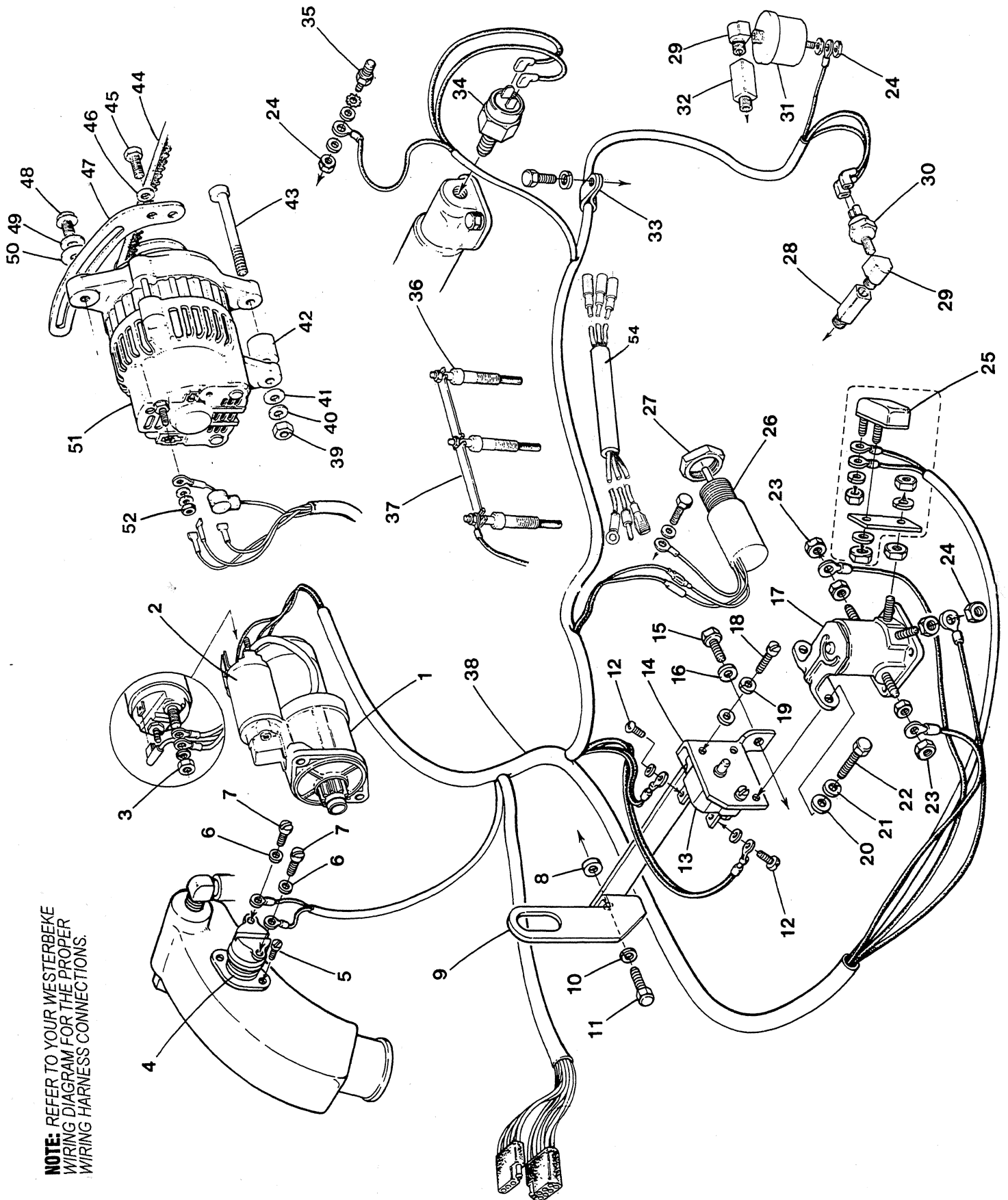
# GOVERNOR SYSTEM



# GOVERNOR SYSTEM

Item	Part No	Quantity	Name/Description	Item	Part No	Quantity	Name/Description
1	031802	1	NUT, M 8 JAM	23	037082	1	SPRING SET, TORQUE
2	031786	1	LOCKWASHER, M 8 DIN 127	24	038458	1	SPRING, GOVERNOR
3		1	LEVER, STOP - SEE REF 5	25	037079	1	LEVER, TENSION
4		1	SPRING, RETURN - SEE REF 5	26	037092	1	SPRING, START
5	037023	1	COVER, ASSEMBLY INCLUDES REF 1 THRU 8	27	037080	1	SHAFT, GOVERNOR
6		1	PIN, GROOVED SEE REF 5	28	037078	1	LEVER, GOVERNOR
7	030277	1	O-RING,	29-1	020628	1	CAPSCREW, M 6 X 25 DIN 933
8		1	LEVER, STOP SEE REF 5	29-2	031783	1	LOCKWASHER, M 6 DIN 127
9	037090	1	LEVER, THROTTLE	30	033200	1	STOPPER, GOVERNOR
10	036942	1	PIN, GROOVED	31-1	030449	1	WEIGHT, ASSEMBLY-GOVERNOR
11	031825	4	CAPSCREW, M 6 X 12 DIN 933	31-2	043979	1	WEIGHT, ASSEMBLY-GOVERNOR FROM SERIAL # 186680
12-1	037024	1	GASKET, GOVERNOR COVER	32-1	015816	2	CAPSCREW, M 6 X 10 DIN 933
12-2	056146	1	GASKET, GOVERNOR COVER FROM SERIAL # 186680	32-2	031783	2	LOCKWASHER, M 6 DIN 127
13	030277	1	O-RING	33	036941	1	SHAFT, GOVERNOR SLIDING
14	036989	1	LEVER, GOVERNOR SPRING	34-1	037022	1	CLIP, TIE ROD
15	031786	1	LOCKWASHER, M 8 DIN 127	34-2	056148	1	CLIP, TIE ROD FROM SERIAL # 186680
16	031802	1	NUT, M 8 JAM	35-1	037021	1	ROD, TIE
17-1	038680	1	SCREW, LOW SPEED SET	35-2	056147	1	ROD, TIE FROM SERIAL # 186680
17-2	045255	1	BOLT, LOW SPEED FROM SERIAL # 186680	36	036939	1	RING, RETAINING
18	015812	1	NUT, M 6 DIN 934	37	043989	1	SPRING, TIE ROD FROM SERIAL # 186680
19-1	030323	1	SCREW, HIGH SPEED SET	38	043980	1	CIRCLIP, TORQUE SET FROM SERIAL # 186680
19-2	043978	1	BOLT ASY, HIGH SPEED	39	0451721	1	NUT, TORQUE SET FROM SERIAL # 186680
20	030292	1	SEAL, LEAD	40	045253	1	SCREW, RACK SET FROM SERIAL # 186680
21	030293	1	WIRE, LOCK ADJUSTING SCREW				
22-1	037044	1	CAP, TORQUE SET SEALING				
22-2	042981	1	CAP, TORQUE SET SEALING FROM SERIAL # 186680				

# ELECTRICAL SYSTEM

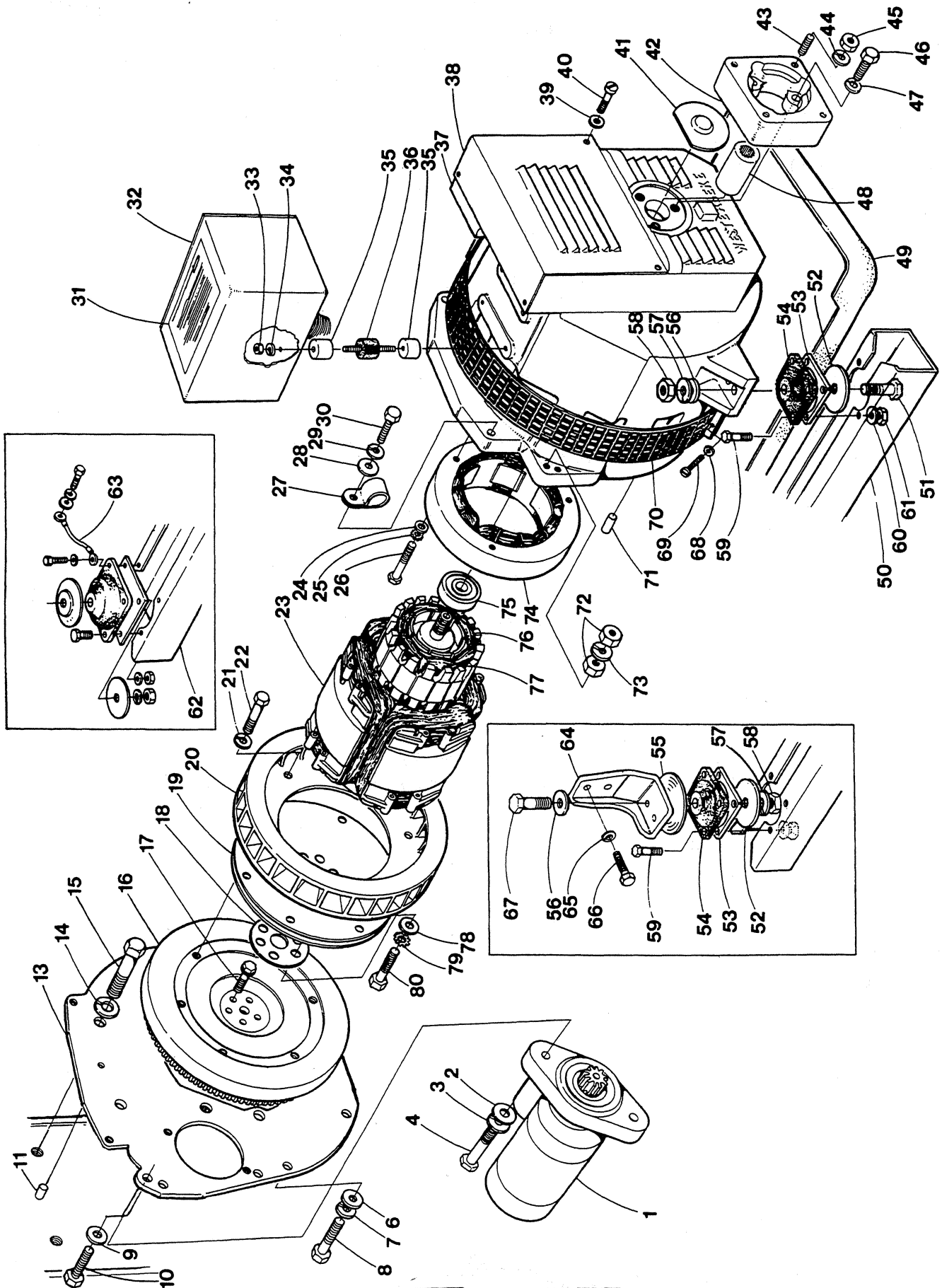


**NOTE:** REFER TO YOUR WESTERBEKE WIRING DIAGRAM FOR THE PROPER WIRING HARNESS CONNECTIONS.

# ELECTRICAL SYSTEM

Item	Part No	Quantity	Name/Description	Item	Part No	Quantity	Name/Description
1-1	034552	1	MOTOR, STARTER 12 VDC	31-2	042161	1	SENDER, OIL PRESSURE 24 VDC
1-2	055957	1	MOTOR, STARTER 24 VDC	32	024844	1	ADAPTER, 1/8 BSPT TO 1/8 NPT
2	036218	1	SOLENOID, STARTER MOTOR 12 VDC	33	038074	2	CLAMP, HARNESS
3	018242	1	NUT, M 8 DIN 934	34	039550	1	SWITCH, WATER TEMPERATURE
4	032923	1	SWITCH, EXHAUST TEMPERATURE	35-1	035109	1	SENDER, WATER TEMPERATURE
5	035711	2	SCREW, 6-20 X 1/4 TAPPING	35-2	035109	1	SENDER, WATER TEMPERATURE 24 VDC
6	031844	2	LOCKWASHER, 8 SS	36-1	036961	1	GLOWPLUG, 12 VDC
7	031911	2	SCREW, 8-32 X 1/4 BRASS	36-2	055961	3	GLOWPLUG, 24 VDC
8	033381	1	SPACER	37	037028	1	STRAP, GLOWPLUG CONNECTING
9	038087	1	EYE, REAR LIFTING	38	039081	1	HARNESS, GENSET WIRING
10	031786	1	LOCKWASHER, M 8 DIN 127	39	016242	1	NUT, M 8 DIN 4334
11	013630	1	CAPSCREW, M 8 X 25 DIN 933	40	031786	1	LOCKWASHER, M S DIN 127
12	031861	2	SCREW, 8-32 X 1/4 BINDING HEAD SS	41	031787	1	WASHER, M 8 DIN 127
13-1	024683	1	BREAKER, CIRCUIT 20 AMP 12 VDC	42-1	040964	1	BUSHING, 030594 ALT
13-2	020946	1	BREAKER, CIRCUIT 10 AMP 24 VDC	42-2	049320	1	SPACER, ALTERNATOR 049125
14	039072	1	BRACKET, CIRCUIT BREAKER, SOLENOID	43	031225	1	CAPSCREW, M 8 X 60 DIN 931
15	034589	1	CAPSCREW, M10 X 30 DIN 933	44-1	301073	1	BELT, 030594 & 040936 Alt
16	019262	1	LOCKWASHER, M10 DIN 127	44-2	038527	1	BELT, ALTERNATOR 049125
17-1	024639	1	SOLENOID, PRE-HEAT 12 VDC	44-3	030475	1	BELT, ALTERNATOR 044895
17-2	022249	1	SOLENOID, PREHEAT 24 VDC	45	017012	1	CAPSCREW, M 6 X 16 DIN 933
18	031866	2	SCREW, 32 X 7/8 BINDING HEAD SS	46	031783	1	LOCKWASHER, T1 6 DIN 127
19	031844	2	LOCKWASHER, 8 SS	47	040540	1	STRAP, ADJUSTING
20	031753	2	WASHER, FLAT 1/4	48	031555	1	CAPSCREW, 5/16 NC X 1
21	031752	2	LOCKWASHER, 1/4	49	031758	1	LOCKWASHER, 5/16
22	031501	2	CAPSCREW, 1/4NC X 1/2	50	033381	2	SPACER
23	031760	2	NUT, 5/16 NF	51-1	030594	1	ALTERNATOR, 50 AMP MHI 12 VDC NLA
24	031847	As Req.	NUT, 10-32 HEX SS	51-2	044895	1	ALTERNATOR, 45 AMP 24 VDC
25	036563	1	BREAKER, CIRCUIT ASSEMBLY 10 AMP 12 VDC	51-3	049125	1	ALTERNATOR, 50 MHI 12 VDC
26-1	037100	1	SOLENOID, FUEL SHUT-OFF 12 VDC	51-4	040963	1	ALTERNATOR, 50 AMP MANDO 12 VDC
26-2	044225	1	SOLENOID, FUEL SHUTOFF 24 VDC	52-1	041117	1	TAB, TERMINAL
27	034669	1	NUT, SOLENOID ADJUSTING/LOCKING	52-2	031904	1	NUT, 10-24 KEPS
28	037508	1	ADAPTER, 1/8 BSPT TO 1/8 NPT	53	039284	1	DIAGRAM, GENSET WIRING
29	013340	2	ELBOW, 1/8 NPT STREET 90	53-3	031750	1	NUT, 1/4NC HEX
30	037323	1	SWITCH, OIL PRESSURE	54-1	046739	1	CURRENT TIMER, 12/24 VDC
31-1	024132	1	SENDER, OIL PRESSURE 12 VDC	54-2	046741	1	CURRENT TIMER, 12/24 VDC, UNGROUNDED

# GENERATOR ASSEMBLY

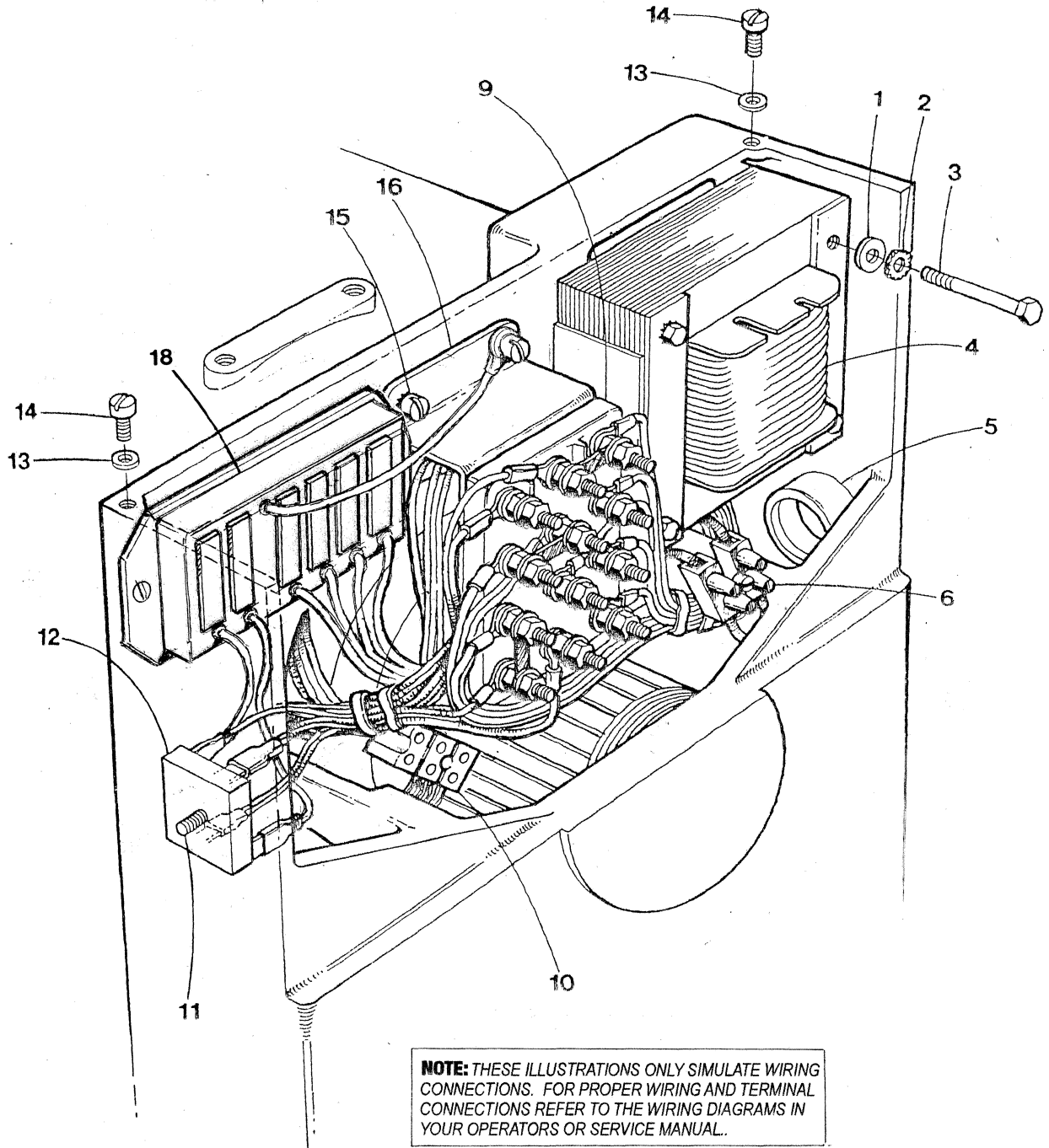


# GENERATOR ASSEMBLY

Item	Part No	Quantity	Name/Description	Item	Part No	Quantity	Name/Description
1-1	034552	1	MOTOR, STARTER 12 VDC	42-1	034786	1	KIT, PTO INCL REF 42 THRU 48
1-2	055957	2	MOTOR, STARTER 24 VDC	42-2	034742	1	DRAWING, PTO INSTALLATION
2	031789	2	WASHER, M10 DIN 125	42-3	034738	1	ADAPTER
3	019262	2	LOCKWASHER, M10 DIN 127	43	034867	4	STUD, 1/2NC
4	034589	2	CAPSCREW, M10 X 30 DIN 933	44	031776	4	LOCKWASHER, 1/2
6	031789	5	WASHER, M10 DIN 125	45	031774	4	NUT, 1/2NC
7	019262	5	LOCKWASHER, M10 DIN 127	46	013589	3	CAPSCREW, M12 X 40 DIN 933
8	013629	5	CAPSCREW, M10 X 25 DIN 933	47	031792	3	LOCKWASHER, M12 DIN 127
9	019262		LOCKWASHER, M10 DIN 127	48	034737	1	DRIVE, PTO SAE-B SPLINE
10	013631	1	CAPSCREW, M10 X 55 DIN 933	49	038088	1	DRIPTRAY
11			DOWEL, SEE BLOCK PAGE	50	038148	1	RAIL, ASSEMBLY LEFT
13	036048	1	PLATE, BACK	51	031712	2	CAPSCREW, 1/2NC X 2-3/4
14	019262	6	LOCKWASHER, M10 DIN 127	52	024674	8	WASHER, SNUBBING
15	024952	6	CAPSCREW M10 X 1.25 X 25 DIN 961	53	035273	4	SPACER, ISOLATOR TO RAIL
16-1	038202	1	FLYWHEEL, WITH RING GEAR	54	024776	4	ISOLATOR
16-2	032996	1	GEAR RING	55	033530	2	SHIELD, FRONT ISOLATOR
17	036924	4	BOLT FLYWHEEL	56	031777	2	WASHER, FLAT 1/2
18	035928	1	PLATE, THRUST-DRIVE DISC ARMATURE	57	031776	4	LOCKWASHER, 1/2
19	035927	2	PLATE, DRIVE DISC	58	031774	4	NUT, 1/2NC
20	035929	1	FAN	59	031556	16	CAPSCREW, 5/16NC X 1-1/4
21	031835	8	LOCKWASHER, T1 8 DIN 6797J 8	60	031758	16	LOCKWASHER, 5/16
22	037338	8	CAPSCREW ARMATURE	61	031756	16	NUT, 5/16NC
23	035930	1	ARMATURE	62	038149	1	RAIL, ASSEMBLY RIGHT
24	031781	5	WASHER M5 DIN 125	63	034593	1	STRAP, GROUND
25	031914	3	LOCKWASHER M5 DIN 6797A	64-1	038112	1	MOUNT, FRONT RIGHT
26	031919	3	CAPSCREW M5 X 35 DIN 912	64-2	038113	1	MOUNT, FRONT LEFT
27	013760	1	CLAMP, HARNESS SUPPORT	65	019262	4	LOCKWASHER, M10 DIN 127
28	031789	2	WASHER, M10 DIN 125	66	031228	4	CAPSCREW, M 10 X 1.25 X 30 DIN 961
29	019262	2	LOCKWASHER M10 DIN 127	67	031712	2	CAPSCREW, 1/2NC X 2-3/4
30	034470	2	CAPSCREW M10 X 45 DIN 931	68	031914	1	LOCKWASHER, M 5 DIN 6797A
31	024968	1	LABEL, GENSET OPERATING INSTRUCTIONS	69	031920	1	SCREW, M 5 X 20 DIN 84A
32-1	039111	1	PANEL BOX AND HARNESS	70	035935	1	GUARD, AIR
32-2	041057	1	PANEL BOX AND HARNESS WITH HOURMETER	71	019039	1	DOWEL
33	015812	4	NUT M6 DIN 934	72	015887	2	NUT, M10 DIN 934
34	031783	4	LOCKWASHER M6 DIN 127	73	019262	2	LOCKWASHER, M10 DIN 127
35	024836	8	SPACER	74-1	038354	1	STATOR, EXCITER
36	034731	4	ISOLATOR, PANEL MOUNT	74-2	035933	1	STATOR, EXCITER - UNITS W/ELECTRONIC REGULATOR
37-1	037428	1	GENERATOR	75	035932	1	BEARING, BALL
37-2	035934	1	STATOR ASSEMBLY INCLUDING HOUSING	76	035943	1	VARISTOR, POSI-RESISTOR
37-3	037723	1	STATOR	77	035931	6	DIODE
38	035936	1	COVER	78	031789	6	WASHER, M 10 DIN 125
39	031914	4	LOCKWASHER M5 DIN 6797A	79	031915	6	LOCKWASHER, M10 DIN 6797A
40	031918	4	SCREW M5 X 10 DIN 84A	80	013629	6	CAPSCREW, M10 X 25 DIN 933
41	034182	1	COVER, PTO INTERFACE	81	035144	1	LABEL, AC OUTPUT CONNECTIONS



# AC OUTPUT COMPONENTS

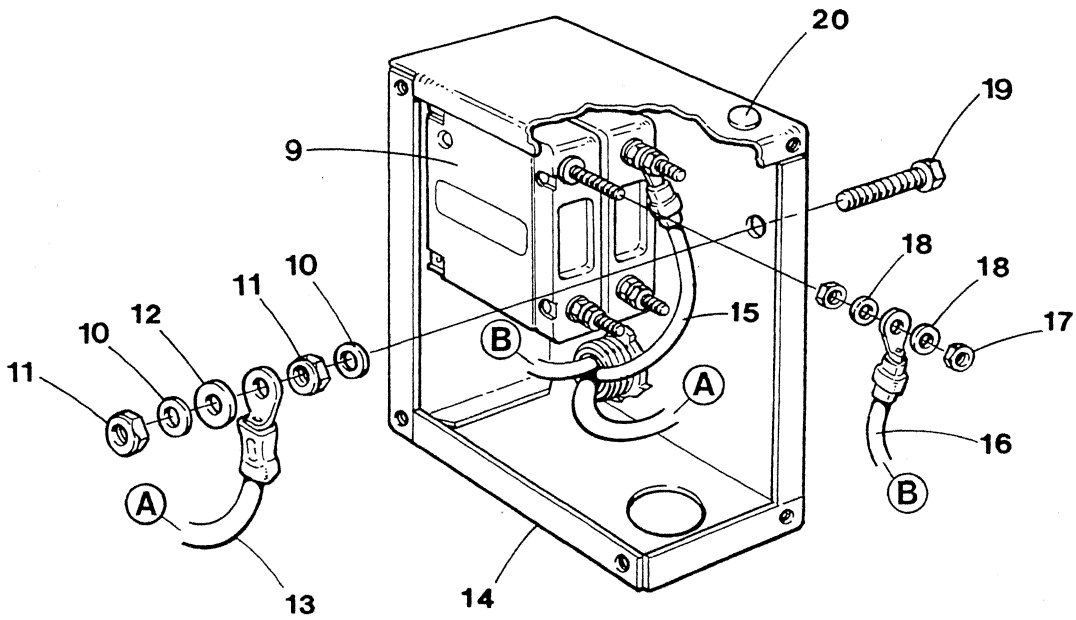
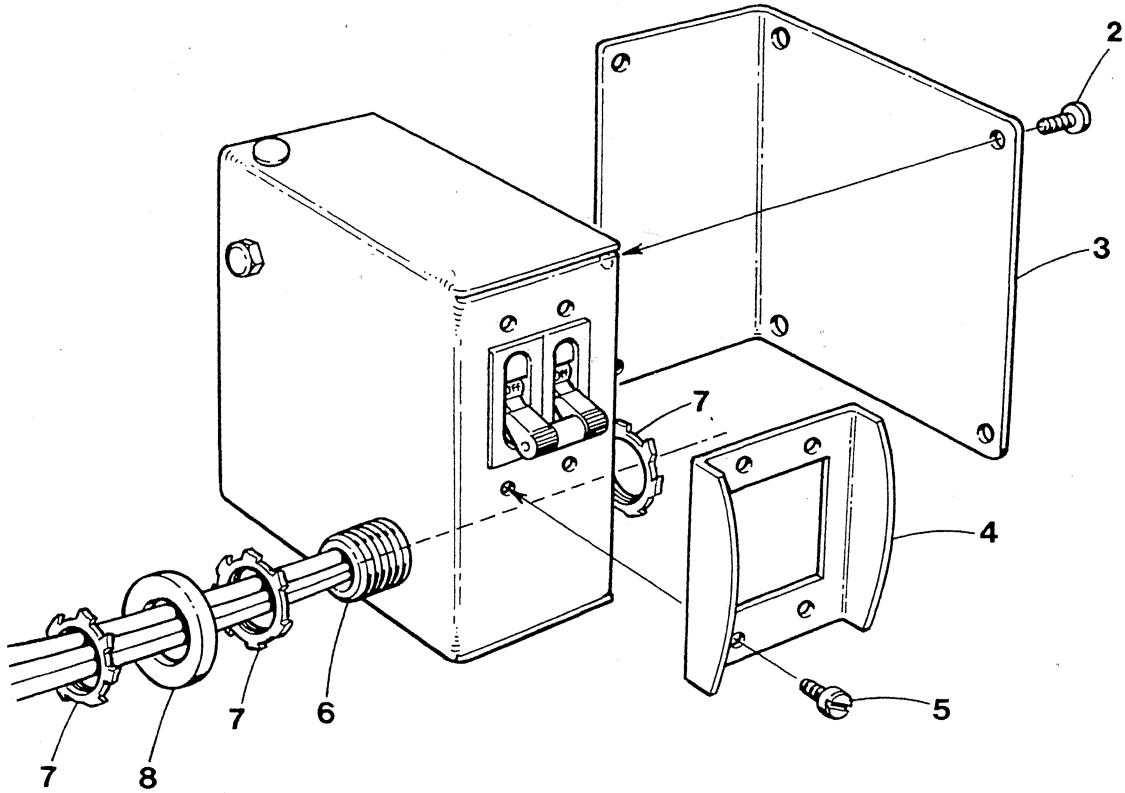


**NOTE:** THESE ILLUSTRATIONS ONLY SIMULATE WIRING CONNECTIONS. FOR PROPER WIRING AND TERMINAL CONNECTIONS REFER TO THE WIRING DIAGRAMS IN YOUR OPERATORS OR SERVICE MANUAL.

## AC OUTPUT COMPONENTS

Item	Part No.	Quantity	Name/Description
1	031781	4	WASHER, M 5 DIN 125
2	031914	4	LOCKWASHER, M 5 DIN 6797A
3	031916	4	CAPSCREW M 5 X 50 DIN 933
4	035937	1	TRANSFORMR VOLTAGE REGULATION
5	038905	1	CONNECTOR, BOX - AC OUTPUT LEADS
6	035941	1	BLOCK, TERMINAL 2 POLE
9-1	035940	1	BLOCK, TERMINAL AC OUTPUT
9-2	038348	1	NUT, M 5 BRASS AR
9-3	038349	<i>As Req.</i>	BAR, BUSS
9-4	040138	<i>As Req.</i>	WASHER, M 5 BRASS
10	035942	1	BLOCK, TERMINAL 3 POLE
11-1	031931	1	SCREW, M 5 X 16 DIN 84A
11-2	031914	1	LOCKWASHER, M 5 DIN 6797A
12	030809	1	RECTIFIER, BRIDGE
13	031914	4	LOCKWASHER, M 5 DIN 6797A
14	031918	4	SCREW, M 5 X 10 DIN 84A
15-1	031914	2	LOCKWASHER, M 5 DIN 6797A
15-2	031918	2	SCREW, M 5 X 10 DIN 84A
16	035939	1	BRACKET
17	035144	1	LABEL, AC OUTPUT CONNECTIONS
18	056163	1	SUPPRESSOR, RFI (optional)

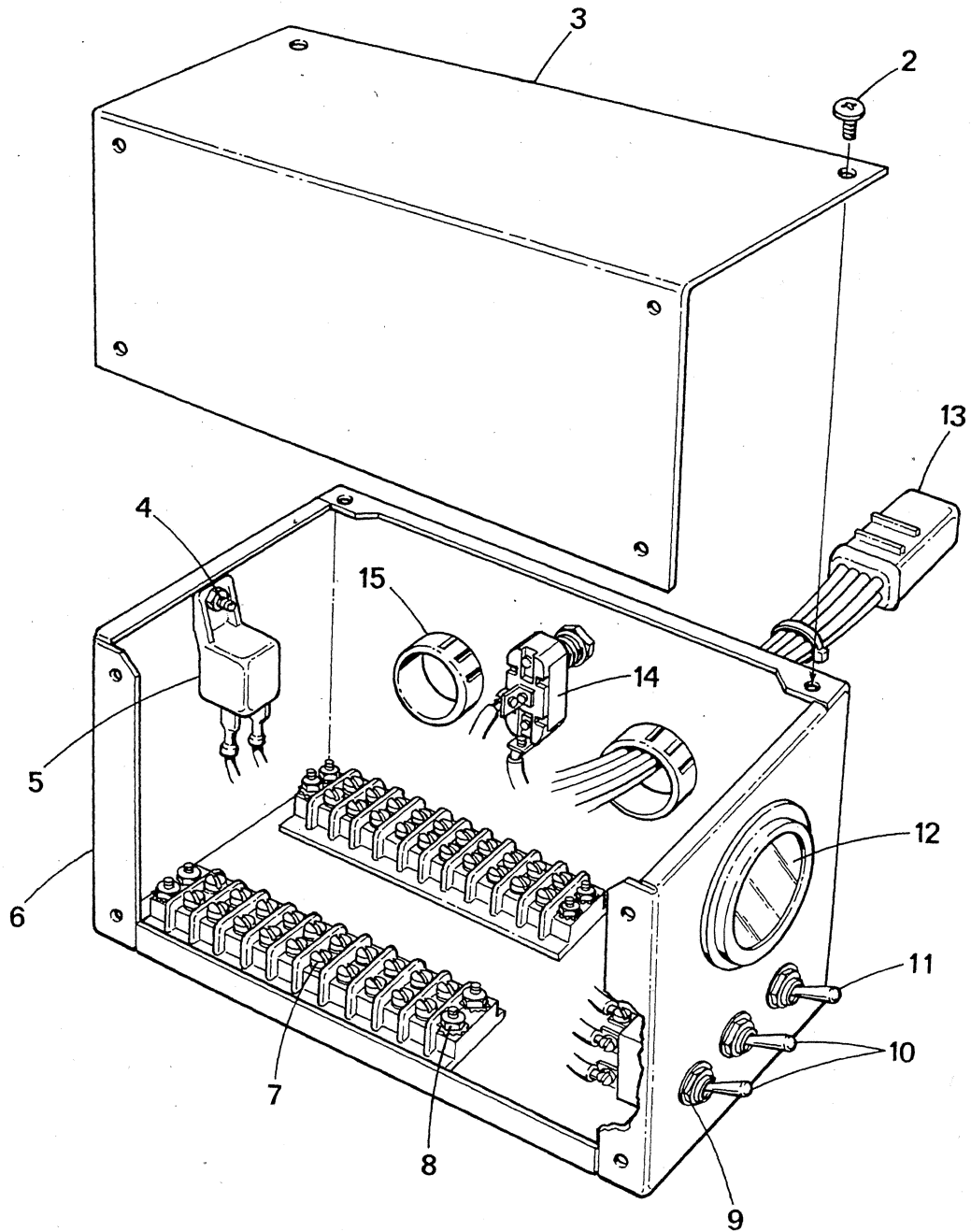
# CIRCUIT BREAKER



# CIRCUIT BREAKER

Item	Part No.	Quantity	Name/Description
1-1	038617	1	KIT, AC CIRCUIT BREAKER 60HZ (7.6 BTD)
1-2	042313	1	KIT, AC CIRCUIT BREAKER 50HZ (5.7 BTD)
1-3	055853	1	KIT, AC CIRCUIT BREAKER 60HZ (6.5 BTD)
1-4	053946	1	KIT, AC CIRCUIT BREAKER 50HZ (5.0 BTD)
2	031891	6	SCREW, 8-32 X 3/8 TRUSS HEAD SS
3	038126	1	COVER, BOX
4	039082	1	GUARD, CIRCUIT BREAKER HANDLE
5	031852	4	SCREW, 6-32 X 1/4 BINDING HEAD SS
6	016374	1	NIPPLE, 3/4 NPT BRASS
7	038522	3	LOCKNUT, 3/4 NPT
8	038523	1	SPACER
9-1	042707	1	BREAKER, CIRCUIT 35 AMP 60HZ 2 POLE (7.6 BTD)
9-2	042706	1	BREAKER, CIRCUIT 25 AMP 50HZ 2 POLE (5.7 BTD)
9-3	038210	1	BREAKER, CIRCUIT 35 AMP 60HZ 2 POLE (6.5 BTD)
9-4	038209	1	BREAKER, CIRCUIT 25 AMP 50HZ 2 POLE (5.0 BTD)
10	032493	2	LOCKWASHER, 1/4 INTERNAL TOOTH BRONZE
11	032498	2	NUT, 1/4NC HEX BRASS
12	032499	2	WASHER, FLAT 1/4 BRASS
13	036848	1	WIRE, WHITE 60HZ
14	038125	1	BOX, CIRCUIT BREAKER
15	038641	1	WIRE, BLACK 60/SOZH
16-1	038641	1	WIRE, BLACK 60HZ
16-2	042337	1	WIRE, WHITE 50HZ
17	031847	4	NUT, 10-32 HEX SS
18	031848	8	WASHER, FLAT 10 SS
19	038622	1	CAPSCREW, 1/4NC X 1 BRONZE FULLY THREADED
20	038621	1	PLUG, NYLON
21	042719	1	DIAGRAM, AC OUTPUT & CIRCUIT BREAKER WIRING

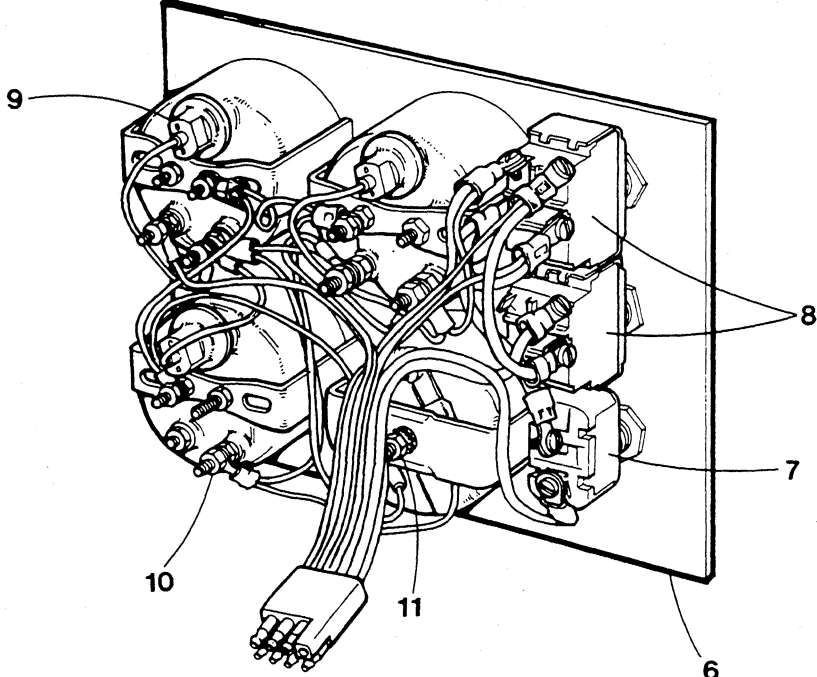
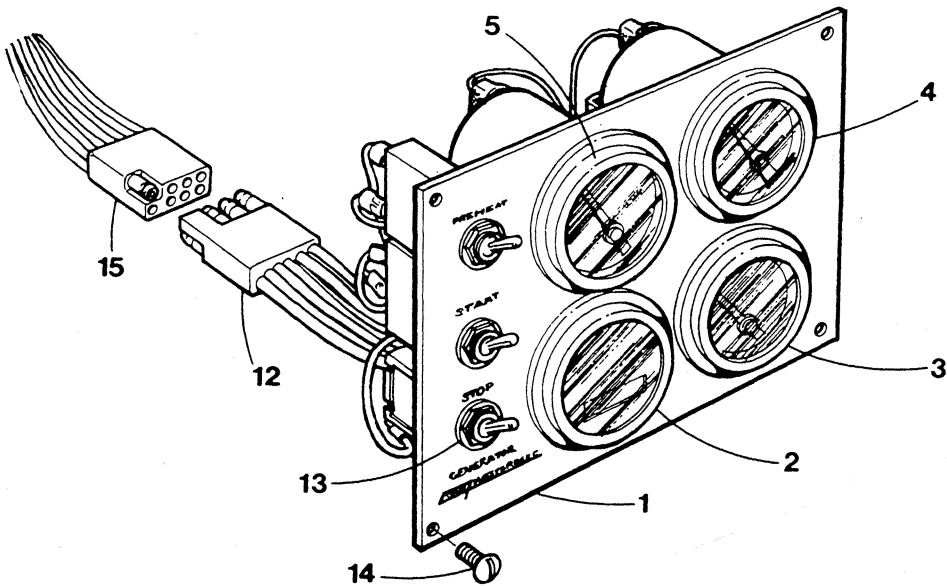
# PANEL BOX AND HARNESS



# PANEL BOX AND HARNESS

Item	Part No.	Quantity	Name/Description
1-1	039111	1	PANEL, BOX & HARNESS
1-1	041057	1	PANEL, BOX & HARNESS WITH HOURMETER
2	031891	6	SCREW, 8-32 X 3/8 TRUSS HEAD SS
3	040593	1	COVER, PANEL BOX
4-1	031862	1	SCREW, 9-32 X 3/8 BINDING HEAD
4-2	031842	1	NUT, 8-32 HEX SS
4-3	031843	1	WASHER, FLAT 8 SS
4-4	031844	1	LOCKWASHER, 8 SS
5-1	037833	2	RELAY, 40 AMP 12 VDC
5-2	053595	2	RELAY, 20 AMP 24 VDC
6	040592	1	BOX, PANEL
7-1	039928	2	BLOCK, TERMINAL
7-2	039929	2	MARKER, TERMINAL BLOCK
8-1	031855	8	SCREW, 6-32 X 5/8 BINDING HEAD SS
8-2	050234	8	NUT, 6-32 KEPS
8-3	015222	4	PLATE, SCREW-TERMINAL BLOCK
8-4	015223	1	JUMPER, TERMINAL BLOCK
9-1	031999	4	RING, LOCK-TOGGLE SWITCH MOUNT
9-2	038042	4	NUT, SWITCH
10	024732	2	SWITCH, PREHEAT-START
11	024731	1	SWITCH, STOP
12	036192	1	HOURMETER
13	036232	1	HARNESS, REMOTE PANEL
14-1	033259	1	SWITCH, EMERGENCY STOP
14-2	033258	1	BOOT, EMERGENCY STOP SWITCH
14-3	033251	1	LABEL, EMERGENCY STOP SWITCH
15	023938	2	BUSHING, SNAP-IN 1-3/8 IN HOLE
16-1	039081	1	HARNESS, ENGINE
16-2	040614	1	HARNESS, PANEL BOX
17	024968	1	LABEL, GENSET OPERATING INSTRUCTIONS

# CONTROL PANEL

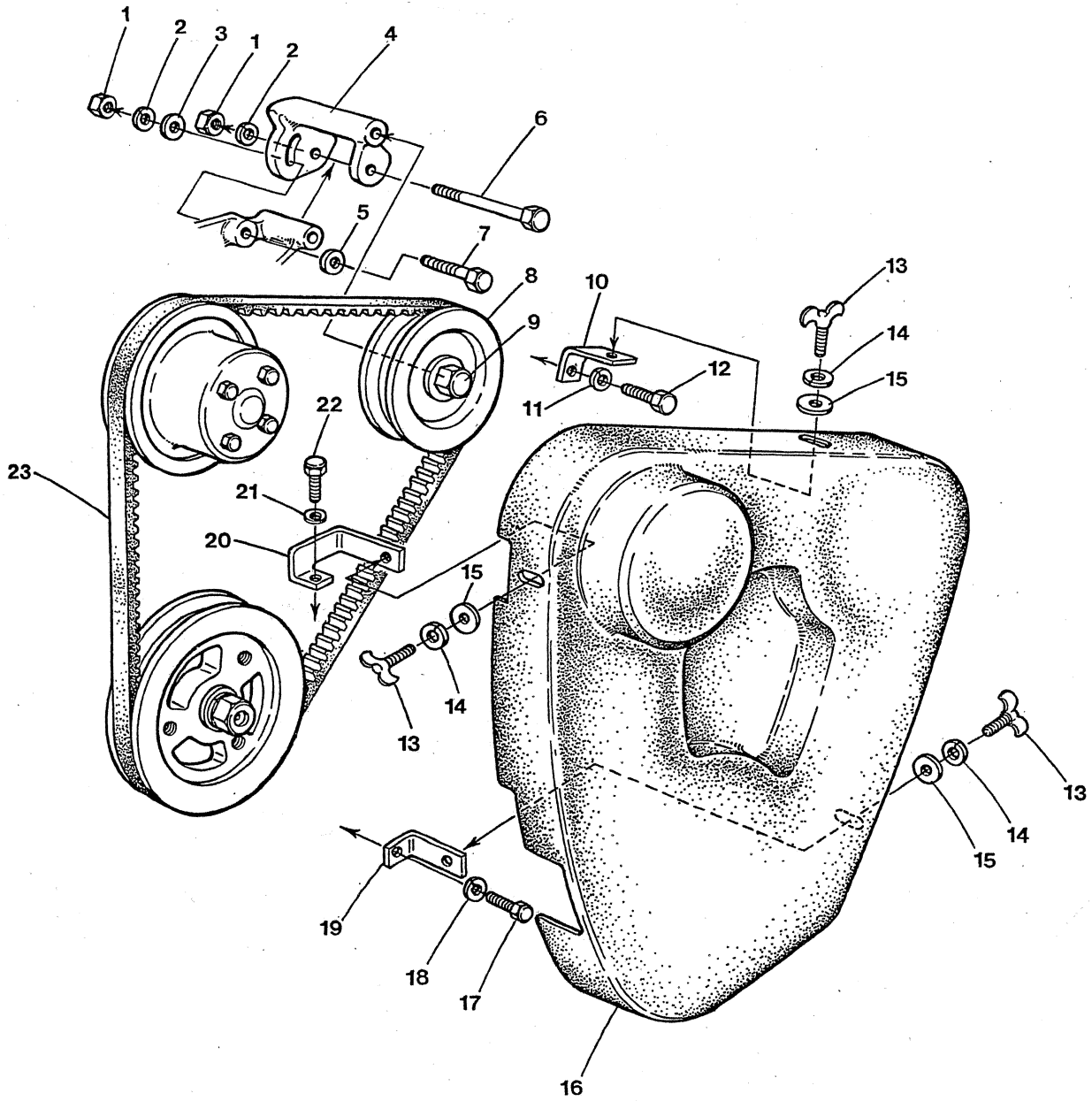


# CONTROL PANEL

Item	Part No.	Quantity	Name/Description
1-1	036539	1	PANEL, GENERATOR CONTROL, REF 2-13, 12 VDC
1-2	042162	1	PANEL, GENERATOR CONTROL, REF 2-13
2	036192	1	HOURLMETER
3-1	037605	1	VOLTMETER, 12 VDC
3-2	042156	1	VOLTMETER, 24 VDC
4-1	037603	1	METER, OIL PRESSURE 0-100 PSI, 12 VDC
4-2	042157	1	METER, OIL PRESSURE, 24 VDC
5-1	037601	1	METER, TEMPERATURE, 12 VDC
5-2	042158	1	METER, WATER TEMPERATURE 24 VDC
6	034485	1	PLATE, PANEL
7	024731	1	SWITCH, STOP
8	024732	1	SWITCH, PREHEAT-START
9-1	035114	1	LAMP, INSTRUMENT WEDGE BASE
9-2	035118	2	HOLDER, LAMP WEDGE BASE
9-3	035825	3	WIRE, LAMP POWER CONNECTION
9-4	045049	3	LAMP, KIT 24 VDC
10-1	031897	3	NUT, 8-32 HEX BRASS
10-2	031899	<i>As Req.</i>	LOCKWASHER, 8 BRONZE
11-1	031842	<i>As Req.</i>	NUT, 8-32 HEX SS
11-2	031844	2	LOCKWASHER, 8 SS
12	036538	1	HARNESS, PANEL
13-1	031999	3	RING, LOCK-TOGGLE SWITCH MOUNT
13-2	038042	3	NUT, SWITCH
15-1	030760	1	HARNESS, 8 PIN 15FT EXTENSION
15-2	044347	1	HARNESS, 15 PIN EXTENSION
16	046000	1	PANEL, CONTROL 15 PIN (NOT ILLUSTRATED) 12VDC



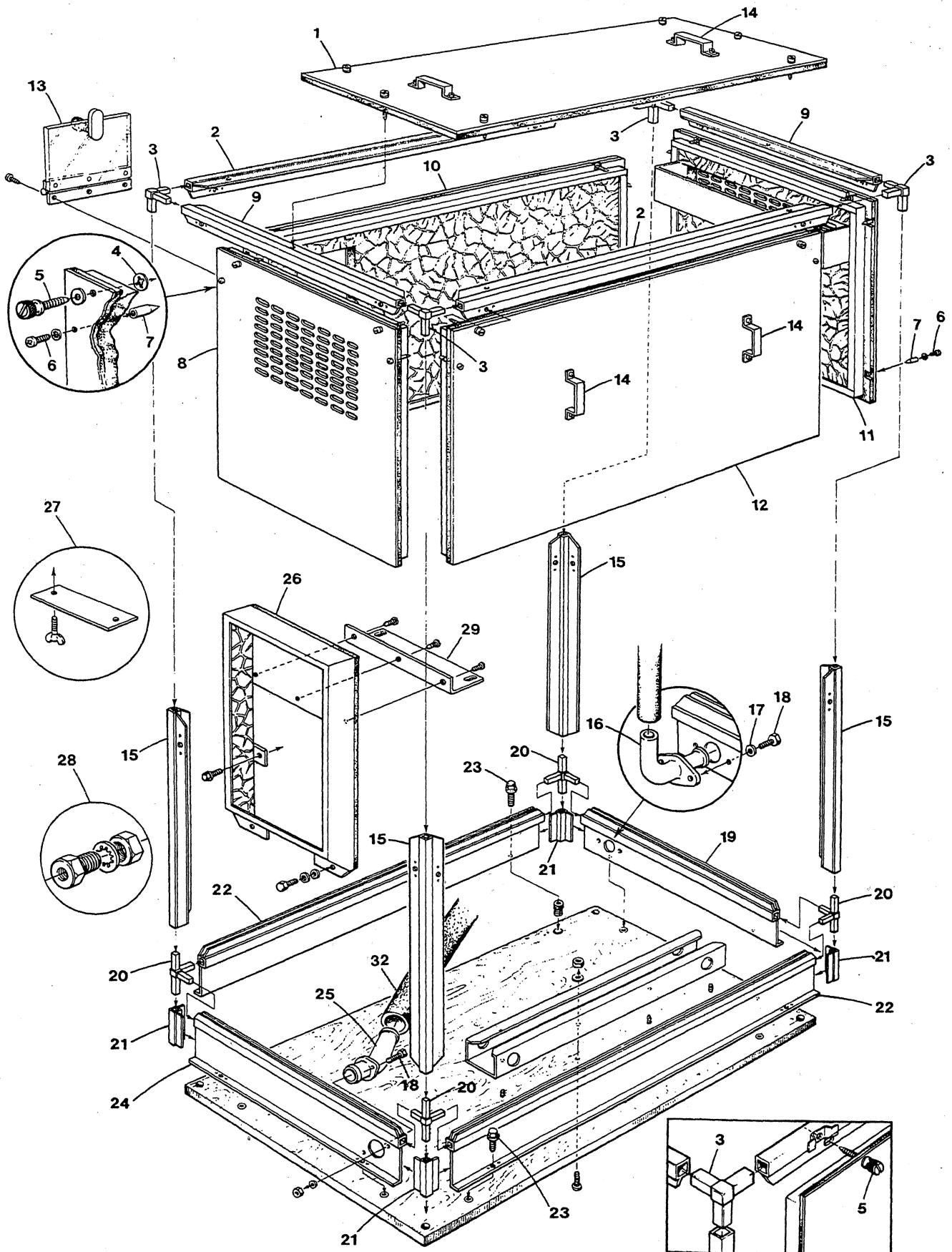
# BELT - IDLER PULLEY - BELT GUARD



## BELT - IDLER PULLEY - BELT GUARD

Item	Part No.	Quantity	Name/Description
1	018242	2	NUT, M 8 DIN 934
2	031786	2	LOCKWASHER, M 8 DIN 127
3	031765	1	WASHER
4	038070	1	BRACKET, IDLER PULLEY
5	031786	1	LOCKWASHER, M 8 DIN 127
6	031225	1	CAPSCREW, M 8 X 60 DIN 931
7	021558	1	CAPSCREW, M 8 X '35 DIN 93'3
8	037780	1	PULLEY, IDLER
9	037779	1	SCREW, IDLER PULLEY
10-1	038128	1	BRACKET, BELT GUARD (IDLER PULLEY)
10-2	040902	1	BRACKET, BELT GUARD (DC ATT)
11	031783	1	LOCKWASHER, M 6 DIN 127
12	033351	1	CAPSCREW, M 6 X 60 DIN 931
13	033228	3	WINGSCREW, BELT GUARD
14	031849	3	LOCKWASHER, 10
15	033372	3	WASHER, BELT GUARD
16	038073	1	GUARD, BELT (IDLER PULLEY)
16-2	040944	1	GUARD, BELT (DC ALT)
17	034213	1	CAPSCREW, M 6 X 40 DIN 931
18	031783	1	LOCKWASHER, M 6 DIN 127
19	038130	1	BRACKET, BELT GUARD
20	038129	1	BRACKET, BELT GUARD
21	031783	1	LOCKWASHER, M 6 DIN 127
22	018804	1	CAPSCREW, M 6 X 20 DIN 933
23	030376	1	BELT

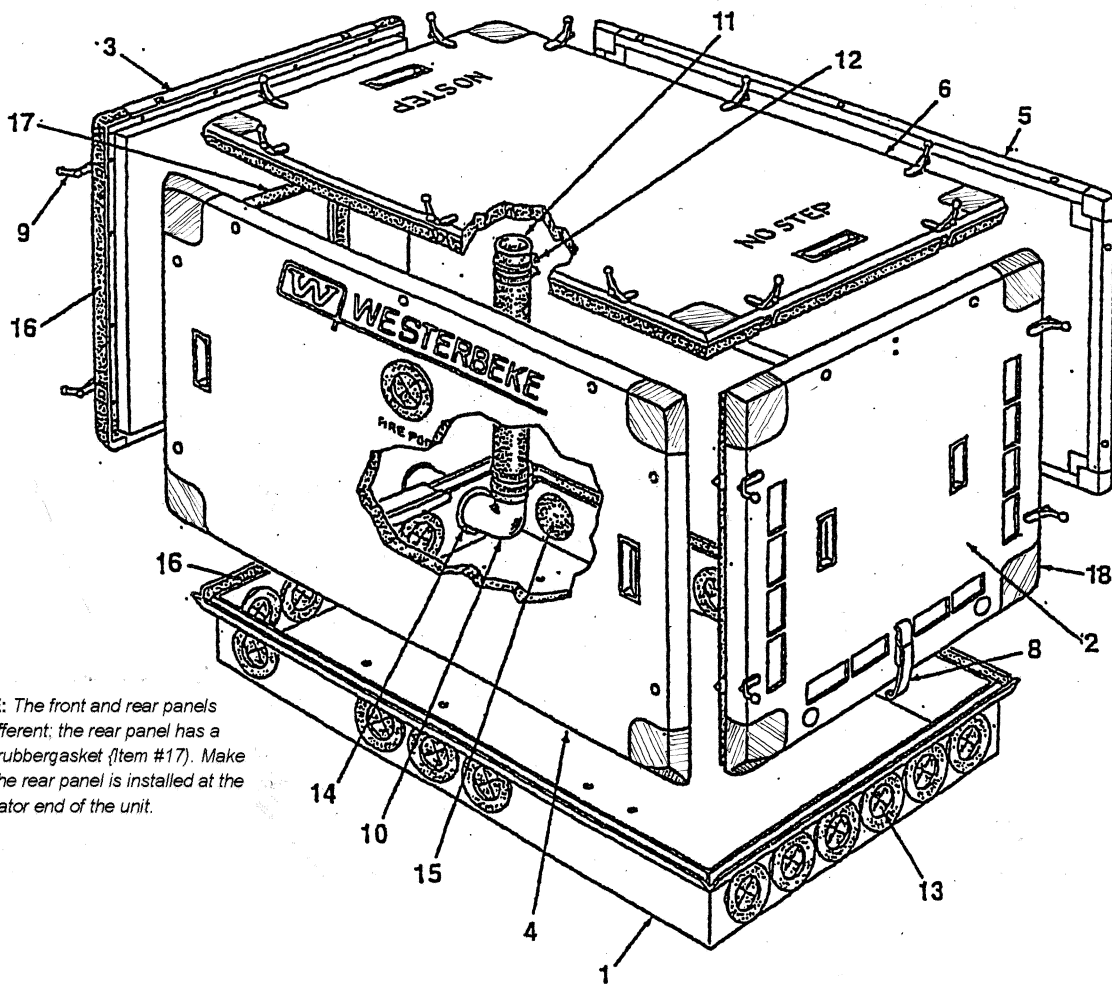
# SOUND GUARD (RED #040458)



## SOUND GUARD (RED #040458)

Item	Part No.	Quantity	Name/Description
1		1	PANEL, TOP
2	038263	1	RAIL, SIDE
3	024057	2	CORNER
4	231907	<i>As Req.</i>	RETAINER, QUICK OPENING SCREW
5	030895	<i>As Req.</i>	SCREW, QUICK OPENING
6	031940	<i>As Req.</i>	6-32 X 3/8 SEMS PHIL HD
7	030775	<i>As Req.</i>	GUIDE
8	038316	1	PANEL, REAR
9	038383	2	RAIL, END
10	038317	1	PANEL, SIDE
11	038315	1	PANEL, FRONT
12	038318	1	PANEL, SIDE WITH WINDOW
13	037417	1	WINDOW, ASSEMBLY
14	035720	<i>As Req.</i>	HANDLE
15	040477	4	POST, CORNER
16	036624	1	ELBOW, SEA WATER INLET
17	031752	4	LOCKWASHER, 1/4
18	011501	4	CAPSCREW, 1/4NC X 1/2
19	038328	1	SKIRT, FRONT
20	024058	4	CORNER
21	030880	4	CLOSURE, SKIRT CORNER
22	038258	2	SKIRT, SIDE
23	031503	8	CAPSCREW, 1/4NC X 3/4
24	040433	1	SKIRT, REAR
25-1	041700	1	ELBOW, EXHAUST 90° 1-7/8IN
25-2	037816	1	BUSHING, 1-7/8" TO 2" HOSE
26	041701	1	DUCT, AIR INTAKE
27	037298	1	COVER KIT, BOTTOM OF GENSET VENT
28	023991	2	ADAPTER, FUEL LINES THRU SKIRT - OPTIONAL
29	041710	1	BRACKET, SUPPORT AIR DUCT
30	038289	1	HOSE, SKIRT TO SEA WATER PUMP
31	038948	1	CONNECTOR, 2" HOSE 45°
32	030904	<i>Per Sq. Ft.</i>	FOAM, ACOUSTIC 1"
33	038289	1	HOSE, SKIRT TO SEA WATER PUMP

# SOUND GUARD (#043132)

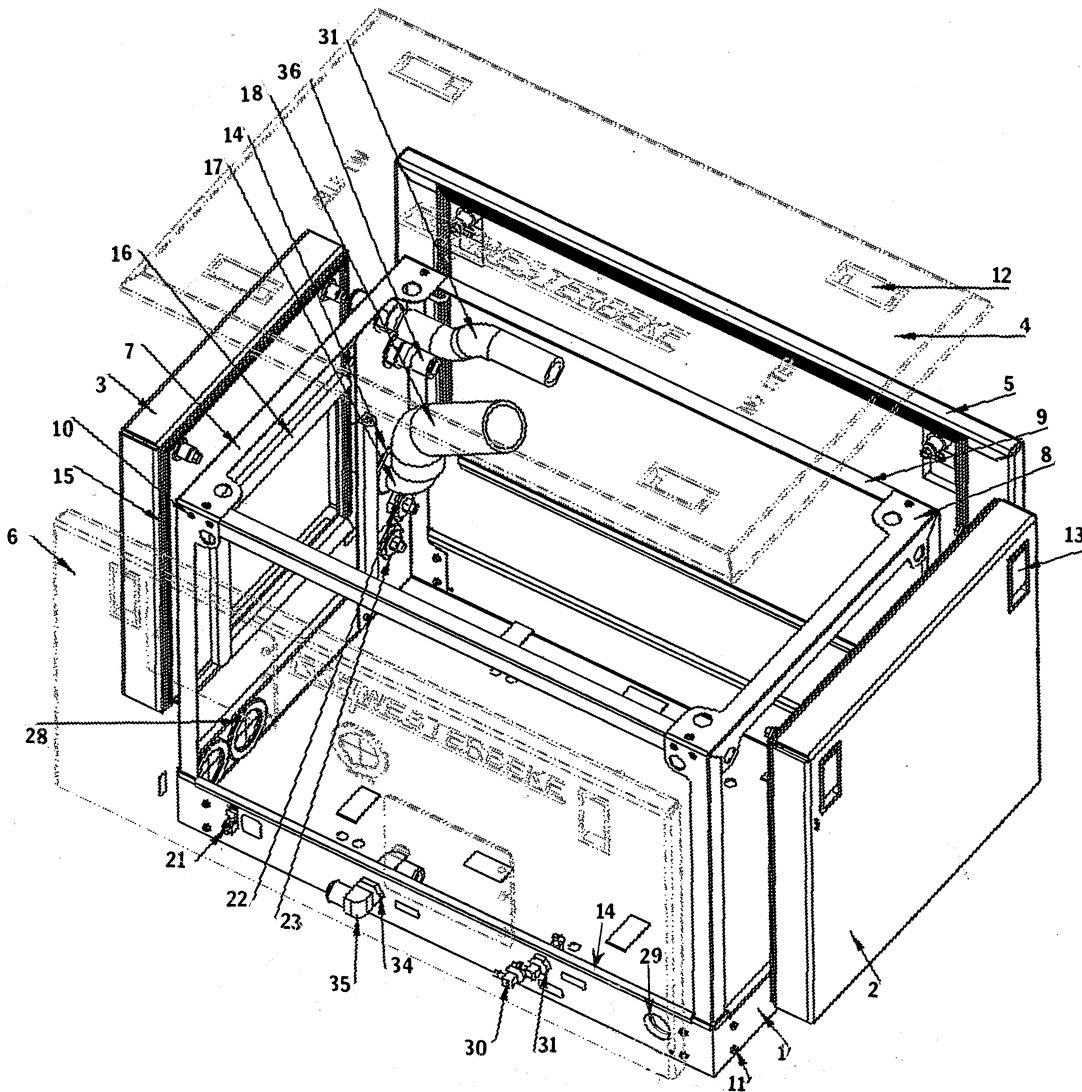


NOTE: The front and rear panels are different: the rear panel has a foam rubber gasket (Item #17). Make sure the rear panel is installed at the generator end of the unit.

Item	Part No.	Quantity	Name/Description
1	43270	1	BASE
2	43357	1	PANEL, FRONT
3	43358	1	PANEL, REAR
4	47633	1	PANEL, SERVICE SIDE
5	43359	1	PANEL, LEFT SIDE
6	43360	1	PANEL, TOP
7	37298	1	COVER PLATE KIT 1 INDUDES COVERPLATE & TWO MOUNTING SCREWS
8	44080	2	CLASP
9	43775	18	LATCH, NEOPRENE
10	42815	1	ELBOW, EXHAUST
11	30901	As Req. by the Inch	HOSE, EXHAUST
12	11411	4	CLAMPS, EXHAUST HOSE
13	39498	16	GROMMET, NEOPRENE
14	42782	1	GROMMET, EXHAUST ELBOW
15	44065	1	COVER, NEOPRENE
16	43248	As Req. by the Inch	SEAL
17	43574	As Req. by the Inch	GASKET, FOAM RUBBER
18	42638	20	CORNER

# SOUND GUARD (SST #049484)

Item	Part No	Quantity	Name/Description	Item	Part No	Quantity	Name/Description
1	49486	1	BASE (INCLUDES CONNECTORS)	21	49543	1	TERMINAL, GROUND LUG
2	49485	1	PANEL, FRONT	22	49546	1	TERMINAL, BATTERY POS.
3	49487	1	PANEL, REAR	23	49544	1	TERMINAL, BATTERY NEG.
4	49490	1	PANEL, TOP	24	49661	1	CABLE, GROUND
5	49488	1	PANEL, SIDE	25	49659	1	CABLE, BATTERY POS.
6	49489	1	PANEL, SERVICE SIDE	26	49660	1	CABIE, BATTERY NEG.
7	49474	1	FRAME, REAR	27	39498	1	GROMMET, NEOPRENE
8	49473	1	FRAME, FRONT	28	42806	2	PLUG, DRAIN HOSE ACCESS
9	49475	2	FRAME, SUPPORT	29	49545	1	1/8 NPT BULKHEAD FITTING
10	49535	12	SCREW, 10-32 X 1/2 FLAT	30	48484	2	ELBOW, 1/8 NPT X 1/4 HOSE
11	49536	16	SCREW, 10-32 X 3/8 HEX SLOT	31	22927	5	SCREW, 10-32 X 3/8 HEX SLOT
12	49540	8	LATCH ASSEMBLY	32	24906	As Req.	HOSE, FUEL 1/4 ID
13	49537	4	LATCH ASSEMBLY {END PANELS}	33	48193	4	CLAMP, FUEL HOSE
14	49547	As Req.	GASKET, BASE EDGE	34	36616	3	1/2 NPT BULKHEAD FITTING
15	49548	As Req.	GASKET, PANEL EDGE	35	36618	2	ELBOW, 1/2 NPTX1 HOSE
16	43574	As Req.	GASKET, GENERATOR	36	49558	4	NIPPLE, 1/2 NPT X 1 HOSE
17	42815	1	ELBOW, EXHAUST OUTLET 2"	37	11779	1	HOSE, RAW WATER 1" MOLDED
18	49549	1	HOSE, EXHAUST 2" MOLDED	38	11405	As Req.	HOSE 1" WIRE INSERTED
19	42782	1	GROMMET, EXHAUST OUTLET	39	37298	8	CIAMP, RAW WATER HOSE
20	11411	4	CLAMP, EXHAUST HOSE	40	11411	1	COVER PLATE KIT, 7.6 BTD ONLY



# ACCESSORIES & ASSEMBLIES

Item	Part No.	Quantity	Name/Description
1	041517	1	KIT A, SPARE PARTS
2	041518	1	KIT B, SPARE PARTS-EXTENDED CRUISING
3	037116	1	GASKET SET, UPPER
4	037117	1	GASKET SET, COMPLETE
5	037121	1	KIT, FUEL HARDWARE
6	024177	1	KIT, REMOTE FRESH WATER SURGE TANK
7-1	013758	1	PAINT, RED AEROSOL SPRAY CAN
7-2	042307	1	PAINT, WHITE AEROSOL SPRAY CAN
8	030760	1	HARNES 12 PIN 15 FT PANEL EXTENSION
9	041800	1	PARTS LIST
10	038673	1	MANUAL, SERVICE
11	040457	1	MANUAL, OPERATOR
12	032974	1	FILTER, SEDIMENTER/WATER TRAP
13	039284	1	DIAGRAM, GENSET WIRING
14	033327	1	VALVE, ANTI-SIPHON VENT
15	015010	1	STRAINER, SEA WATER
16	034936	1	MUFFLER, HYDRO-HUSH C
17-1	033340	<i>As Req.</i>	ADAPTER HOSE TO MUFFLER - STRAIGHT
17-2	033341	<i>As Req.</i>	ADAPTER HOSE TO MUFFLER - 45°
17-3	033342	<i>As Req.</i>	ADAPTER HOSE TO MUFFLER - 90°
17-4	033943	<i>As Req.</i>	COUPLING RUBBER INCLUDING CLAMPS
18	040078	1	KIT, REMOTE OIL FILTER
19	045050	1	KIT, HOSES

## **IMPORTANT**

### **Product Software Disclaimer**

Product software of all kinds such as brochures, drawings, technical data, operator's and workshop manuals, parts lists and parts price lists, and other information, instructions and specifications provided from sources other than Westerbeke, is not within Westerbeke's control and, accordingly, is provided to Westerbeke customers only as a courtesy and service. Westerbeke cannot be responsible for the content of such software, makes no warranties or representations with respect thereto, including the accuracy, timeliness or completeness thereof, and will in no event be liable for any type of damages or injury incurred in connection with, or arising out of, the furnishing or use of such software.

For example, components and subassemblies incorporated in Westerbeke's products and supplied by others (such as engine blocks, fuel systems and components, transmissions, electrical components, pumps and other products) are generally supported by their manufacturers with their own software, and Westerbeke must depend on such software for the design of Westerbeke's own product software. Such software may be outdated and no longer accurate. Routine changes made by Westerbeke's suppliers, of which Westerbeke rarely has notice in advance, are frequently not reflected in the supplier's software until after such changes take place.

Westerbeke customers should also keep in mind the time span between printings of Westerbeke product software, and the unavoidable existence of earlier, non-current Westerbeke software editions in the field. Additionally, most Westerbeke products include customer-requested special features that frequently do not include complete documentation.

In summation, product software provided with Westerbeke products, whether from Westerbeke or other suppliers, must not and cannot be relied upon exclusively as the definitive authority on the respective product. It not only makes good sense but is imperative that appropriate representatives of Westerbeke or the supplier in question be consulted to determine the accuracy and currency of the product software being consulted by the customer.





