

PARTS LIST

WESTERBEKE

63B Four

63C Four

Marine Diesel Engines

15.0 BTDA - 60 Hz

15.0 BTDB - 60 Hz

12.0 BTDA - 50 Hz

12.0 BTDB - 50 Hz

Marine Diesel Generators

Publication #038824

Edition Two

August 1998



PARTS LIST

WESTERBEKE

63B Four

63C Four

Marine Diesel Engines

15.0 BTDA - 60 Hz

15.0 BTDB - 60 Hz

12.0 BTDA - 50 Hz

12.0 BTDB - 50 Hz

Marine Diesel Generators

Publication #038824

Edition Two

August 1998



IMPORTANT

PRODUCT SOFTWARE DISCLAIMER

Product software of all kinds, such as brochures, drawings, technical data, operator's and workshop manuals, parts lists and parts price lists, and other information, instructions and specifications provided from sources other than Westerbeke, is not within Westerbeke's control and; accordingly, is provided to Westerbeke customers only as a courtesy and service. **Westerbeke cannot be responsible for the content of such software, makes no warranties or representations with respect thereto, including the accuracy, timeliness or completeness thereof, and will in no event be liable for any type of damages or injury incurred in connection with, or arising out of, the furnishing or use of such software.**

For example, components and subassemblies incorporated in Westerbeke's products and supplied by others (such as engine blocks, fuel systems and components, transmissions, electrical components, pumps and other products) are generally supported by their manufacturers with their own software, and Westerbeke must depend on such software for the design of Westerbeke's own product software. Such software may be outdated and no longer accurate. Routine changes made by Westerbeke's suppliers, of which Westerbeke rarely has notice in advance, are frequently not reflected in the supplier's software until after such changes take place.

Westerbeke customers should also keep in mind the time span between printings of Westerbeke product software and the unavoidable existence of earlier, non-current, Westerbeke software editions in the field. Additionally, most Westerbeke products include customer-requested special features that frequently do not include complete documentation.

In summation, product software provided with Westerbeke products, whether from Westerbeke or other suppliers, must not and cannot be relied upon exclusively as the definitive authority on the respective product. It not only makes good sense but is imperative that appropriate representatives of Westerbeke or the supplier in question be consulted to determine the accuracy and currency of the product software being consulted by the customer.

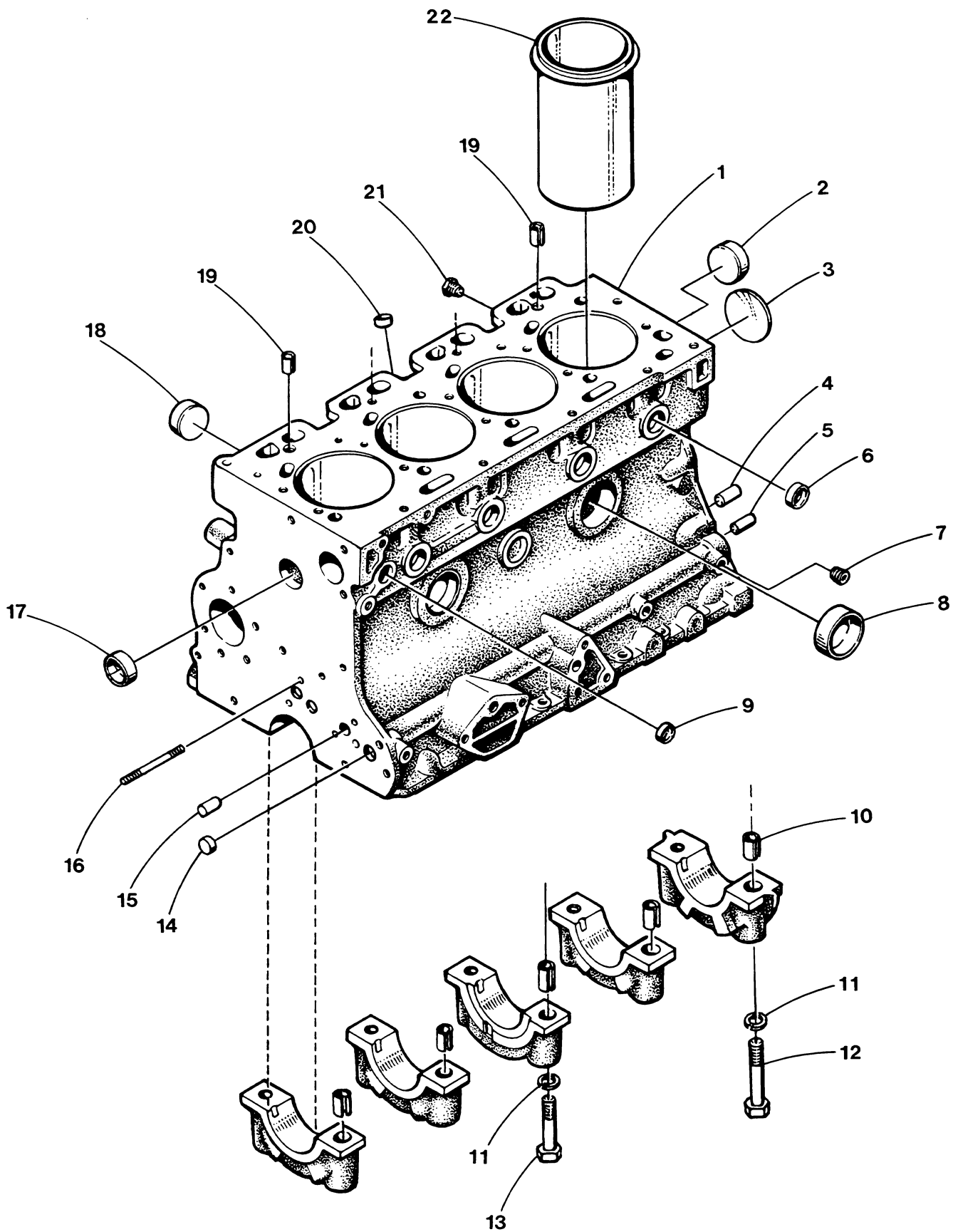
This Parts List covers a family of two engine blocks used for propulsion and generator applications. References in the book for engine components may indicate the propulsion model, but are applicable to both propulsion and generator units. (ie: pistons, filters, gaskets, pumps, bearings, etc.) Also references in the book for generator applications refer to the 60 Hertz model but are applicable for the corresponding 50 Hertz model as listed in the chart below.

Propulsion Model	60 Hertz Generator	50 Hertz Generator
63B Four	15.0 BTDA	12.0 BTDA
63C Four	15.0 BTDB	12.0 BTDB

TABLE OF CONTENTS

PAGE	DESCRIPTION
100	CYLINDER BLOCK
102	CYLINDER HEAD - ROCKER COVER
106	CRANKSHAFT - PISTONS
110	VALVES - ROCKER SHAFT - CAMSHAFT
114	TIMING GEAR COVER
116	INTAKE MANIFOLD - SILENCER
118	LUBE OIL SUMP 63B
120	LUBE OIL SUMP 63C
122	LUBE OIL PUMP
124	LUBE OIL FILTER AND COOLER - FRONT MOUNT
126	COOLING SYSTEM
130	FRONT OPENING EXHAUST MANIFOLD
132	SEA WATER PUMP
134	FRESH WATER PUMP
136	FUEL SYSTEM
140	FUEL LIFT PUMP AND FILTER
144	PROPULSION BACK END - MOUNTING SYSTEM
144	MODEL HBW 250 TRANSMISSION
148	WARNER HYDRAULIC TRANSMISSION
150	GENSET MOUNTING SYSTEM
152	GENSET BACK END - GENERATOR
156	GENSET AC OUTPUT AND REGULATOR - 1 PHASE
158	GENSET AC OUTPUT 1 PHASE CIRCUIT BREAKER
160	GENSET AC OUTPUT AND REGULATOR - 3 PHASE
162	ALTERNATOR MOUNT
164	BELTS - ALTERNATORS - BELT GUARD
166	ELECTRICAL SYSTEM
168	PROPULSION INSTRUMENT PANELS
170	GENSET CONTROL PANEL - MECHANICAL GOVERNOR
172	GENSET CONTROL PANEL - ELECTRONIC GOVERNOR
176	GENSET START/STOP PANELS
178	GENSET ELECTRONIC GOVERNOR
180	STARTER MOTOR
182	GENSET SOUND GUARD
184	MISCELLANEOUS

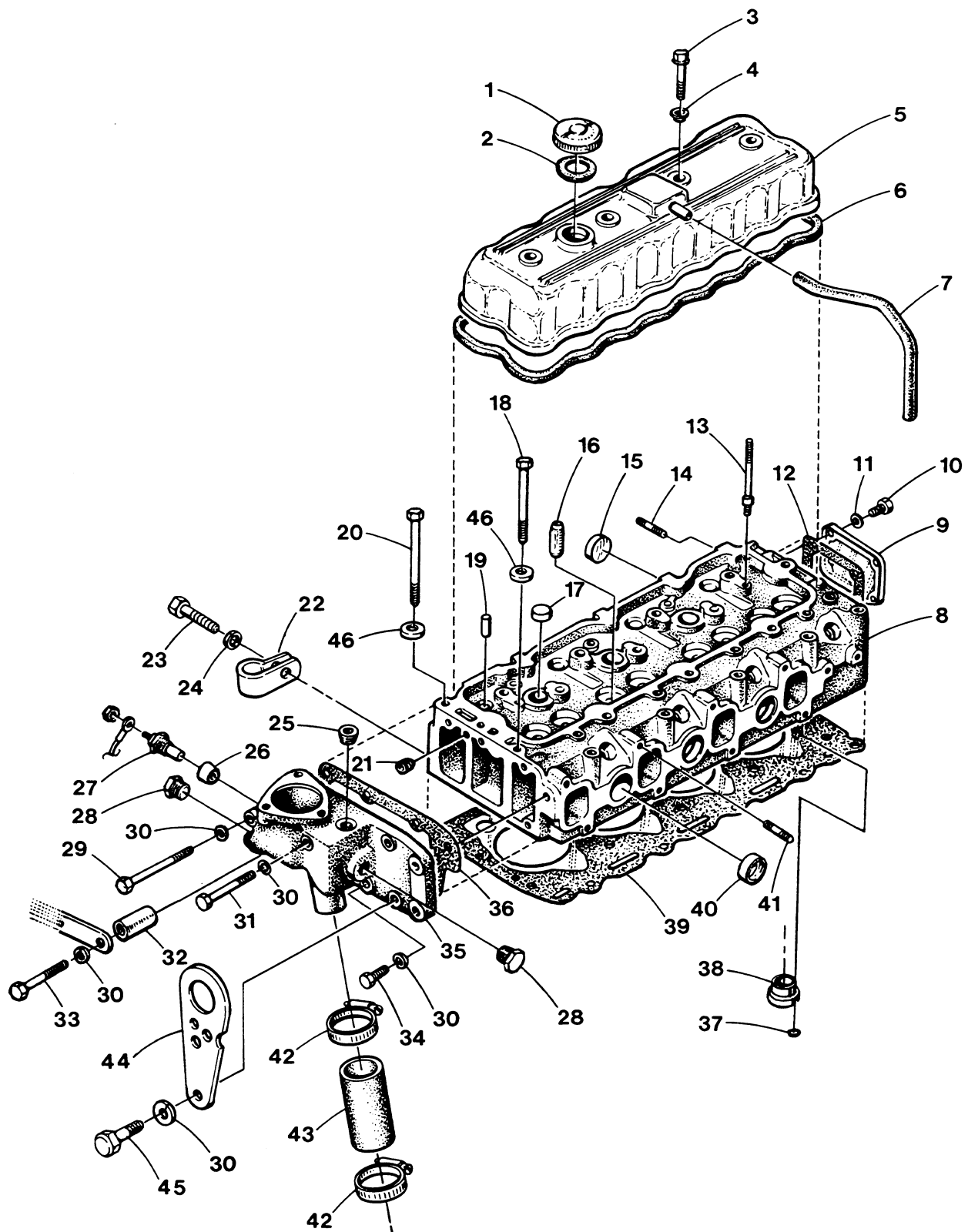
WESTERBEKE 63B-63C FOUR - 15.0 BTDA/B - CYLINDER BLOCK



WESTERBEKE 63B-63C FOUR - 15.0 BTDA/B - CYLINDER BLOCK

REF	PN	NAME	REMARKS	QUAN
1-1	036708	BLOCK	ASSEMBLY 63B NLA USE 63C BLOCK BELOW	1
1-2	034915	BLOCK	ASSEMBLY 15 BTDA MECHANICAL GOVERNOR NLA	1
1-3	036708	BLOCK	ASSEMBLY 15 BTDA ELECTRONIC GOVERNOR NLA	1
1-4	041308	BLOCK	ASSEMBLY 63C - 15.0 BTDB	1
2	024374	PLUG	EXPANSION 30 MM DIN 443	1
3	024379	PLUG	CAMSHAFT	1
4	019039	DOWEL	BLOCK TO BACKPLATE	2
5	024393	PLUG	OIL GALLERY-REAR OF BLOCK	2
6	024373	PLUG	EXPANSION 25 MM DIN 443	4
7	024523	PLUG	1/8NPT	4
8	024378	PLUG	EXPANSION 50 MM DIN 443	2
9	024369	PLUG	EXPANSION 20 MM DIN 443	1
10	024383	DOWEL	TUBULAR	10
11	017849	WASHER	FLAT	10
12	024371	BOLT	MAIN BEARING CAP	2
13	024386	BOLT	MAIN BEARING CAP	8
14	024364	PLUG	EXPANSION 18 MM DIN 443	2
15	032368	DOWEL	IDLER GEAR HUB 30968	2
16	030967	STUD	IDLER GEAR	4
17	024374	PLUG	EXPANSION 30 MM DIN 443	1
18	024374	PLUG	EXPANSION 30 MM DIN 443	5
19	024383	DOWEL	TUBULAR	2
20	024380	PLUG	OIL PUMP	1
21	024601	PLUG	1/4NPT SOCKET HEAD	1
22-1	030988	LINER	CYLINDER 63B-15 BTDA	4
22-2	043152	LINER	CYLINDER 63C-15 BTDB	4

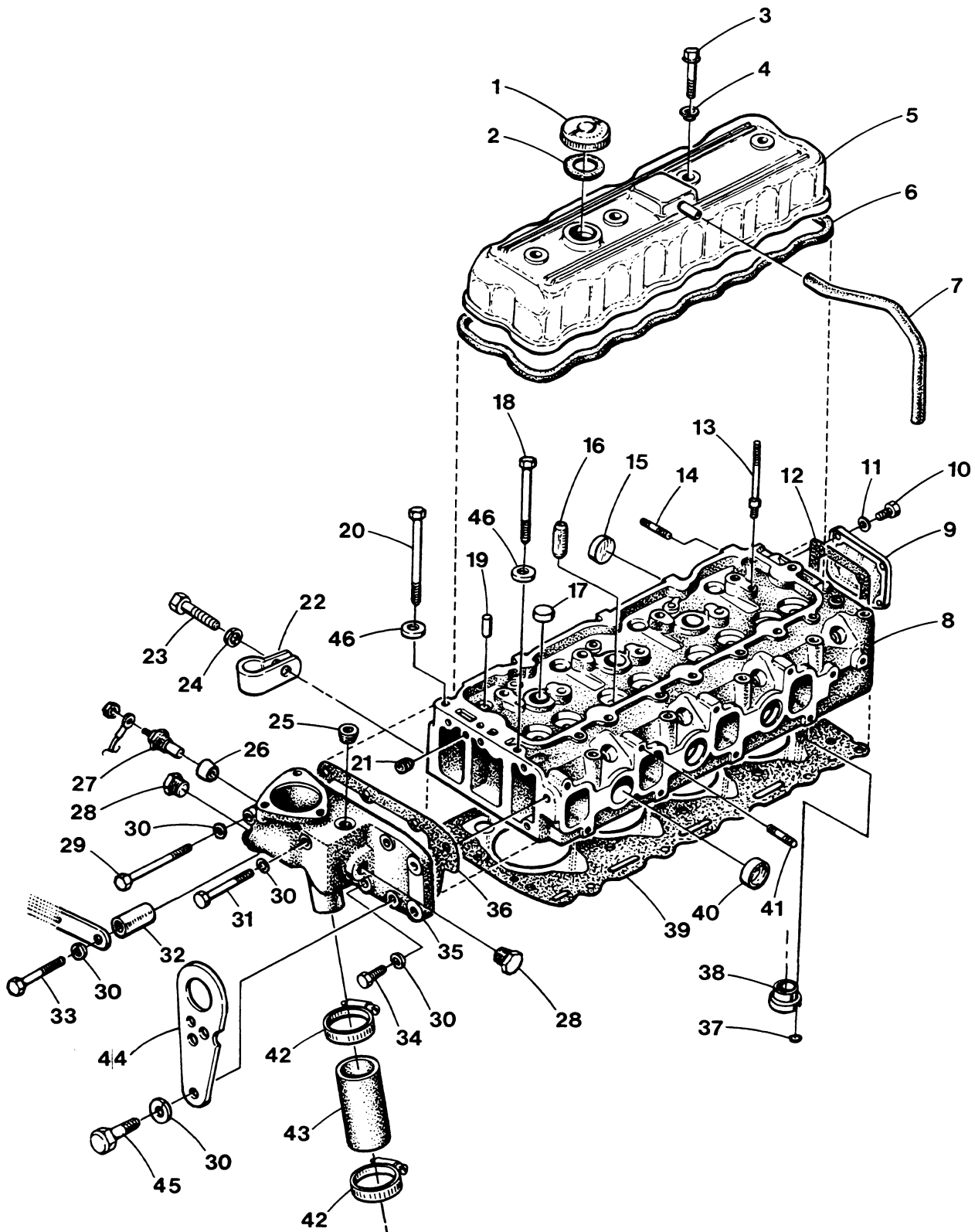
WESTERBEKE 63B-63C FOUR - 15.0 BTDA/B - CYLINDER HEAD - ROCKER COVER



WESTERBEKE 63B-63C FOUR - 15.0 BTDA/B - CYLINDER HEAD - ROCKER COVER

REF	PN	NAME	REMARKS	QUAN
1	030986	CAP	OIL FILLER WITH GASKET	1
2		GASKET	OIL FILLER CAP-SEE REF 1	1
3	031577	CAPSCREW	5/16NF X 5/8	4
4	030985	SEAL	ROCKER COVER	4
5	030983	COVER	ROCKER	1
6	030984	GASKET	ROCKER COVER	1
7-1	032367	HOSE	BREATHER 63B-15 BTDA	1
7-2	043175	HOSE	BREATHER 63C-15 BTDB	1
8-1	030978	HEAD	CYLINDER 63B-15 BTDA	1
8-2	043174	HEAD	CYLINDER 63C-15 BTDB	1
9-1	024582	BRACKET	SOLENOID & CIRCUIT BREAKER 63B	1
9-2	039391	BRACKET	SOLENOID-CIRCUIT BREAKER-LIFT PUMP-FLTR	1
10	031577	CAPSCREW	5/16NF X 5/8	4
11	031758	LOCKWASHER	5/16	4
12	024377	GASKET	HEAD TO REAR PLATE	1
13-1	033667	STUD	5/16NF X 2-9/16 63B-15 BTDA	2
13-2	030979	STUD	63C-15 BTDB	2
14	038510	STUD	EXHAUST MANIFOLD	8
15	024349	PLUG	EXPANSION 35 MM DIN 443	4
16	024366	GUIDE	VALVE	8
17	024373	PLUG	EXPANSION 25 MM DIN 443	3
18	024371	BOLT	CYLINDER HEAD 4-1/8LG	13
19	024370	CAP	WATER JET	4
20	024372	BOLT	CYLINDER HEAD 5-7/8LG	7
21-1	024345	PLUG	OIL GALLERY 63B-15 BTDA	1
21-2	040654	PLUG	OIL GALLERY 63C-15 BTDB	1
22	021676	CLAMP	HARNESS SUPPORT	1
23	031628	CAPSCREW	3/8NF X 3/4	1
24	031764	LOCKWASHER	3/8	1
25	024903	PLUG	3/8-19 BSPT DIN 906 HOUSING 30981	1
26-1	024672	BUSHING	HOUSING 30981 TO 1/8NPT FOR SENDER	1
26-2	041268	BUSHING	HOUSING 41311 TO 1/8NPT FOR SENDER	1
27	035109	SENDER	WATER TEMPERATURE	1
28-1	022205	PLUG	M16 DIN 910 HOUSING 30981	2
28-2	022205	PLUG	M16 DIN 910 HOUSING 41311	1
28-3	033280	WASHER	M16	AR
29	031592	CAPSCREW	5/16NF X 4	1
30	031758	LOCKWASHER	5/16	6
31	031590	CAPSCREW	5/16NF X 3-1/2	1
32	031318	SPACER		1
33	031585	CAPSCREW	5/16NF X 2-1/4	1
34	031580	CAPSCREW	5/16NF X 1	1

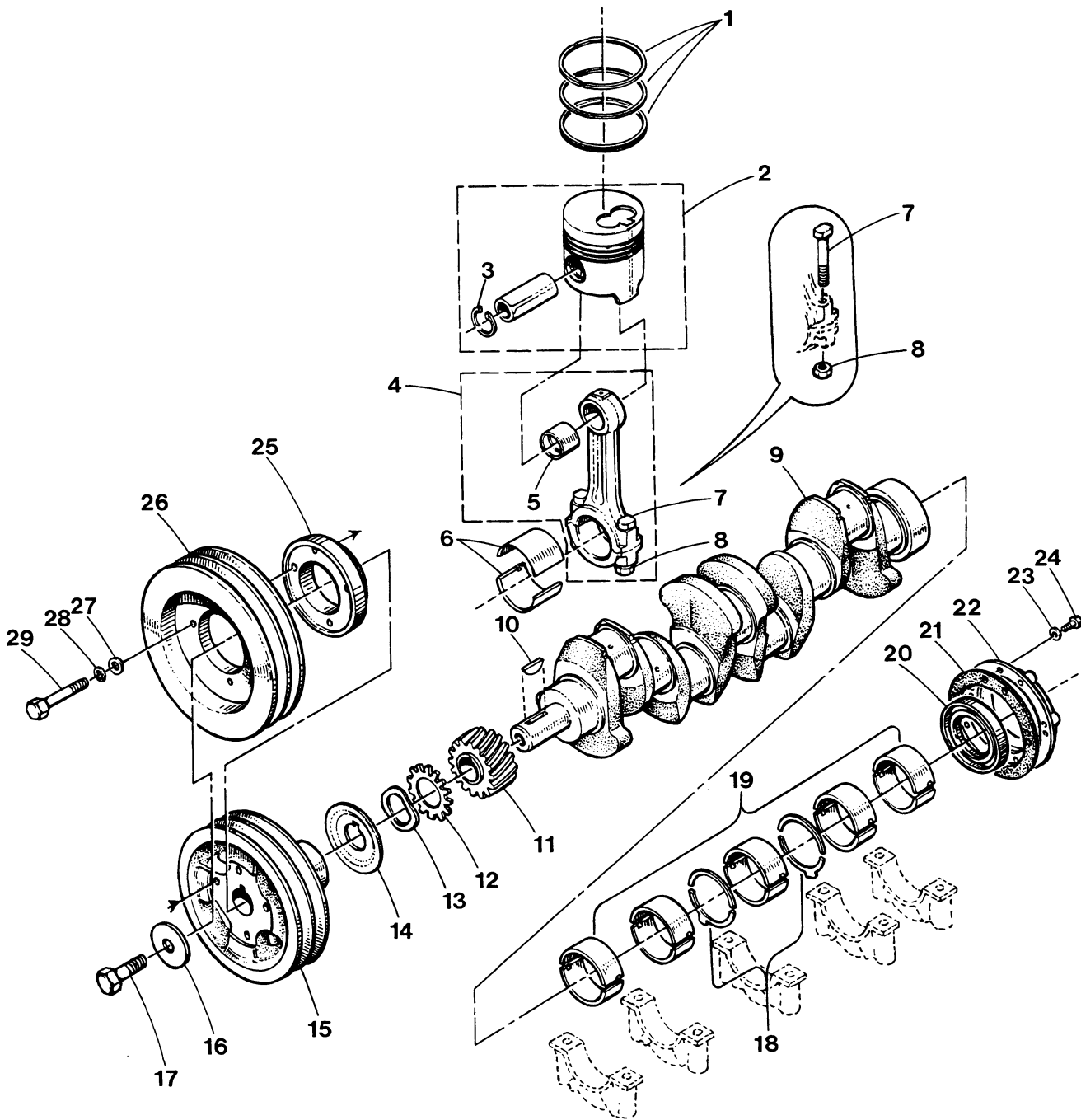
WESTERBEKE 63B-63C FOUR - 15.0 BTDA/B - CYLINDER HEAD - ROCKER COVER



WESTERBEKE 63B-63C FOUR - 15.0 BTDA/B - CYLINDER HEAD - ROCKER COVER

REF	PN	NAME	REMARKS	QUAN
35-1	030981	HOUSING	LOWER THERMOSTAT 63B-15 BTDA	1
35-2	041311	HOUSING	LOWER THERMOSTAT 63C-15 BTDB	1
36	030982	GASKET	THERMOSTAT HOUSING TO HEAD	1
37	024368	WASHER	WELCH	4
38-1	030980	INSERT	COMBUSTION 63B-15 BTDA	4
38-2	043210	INSERT	COMBUSTION 63C-15 BTDB	4
39-1	030987	GASKET	CYLINDER HEAD 63B-15 BTDA	1
39-2	043180	GASKET	CYLINDER HEAD 63C-15 BTDB	1
40	024349	PLUG	EXPANSION 35 MM DIN 443	3
41	012493	STUD	5/16NF X 1-1/4	8
42	021878	CLAMP	HOSE 20	2
43	024415	HOSE	BYPASS	1
44	039384	EYE	LIFTING	1
45	031582	CAPSCREW	5/16NF X 1-1/2	2
46	017849	WASHER	CYLINDER HEAD BOLT 63C-15 BTDB	20

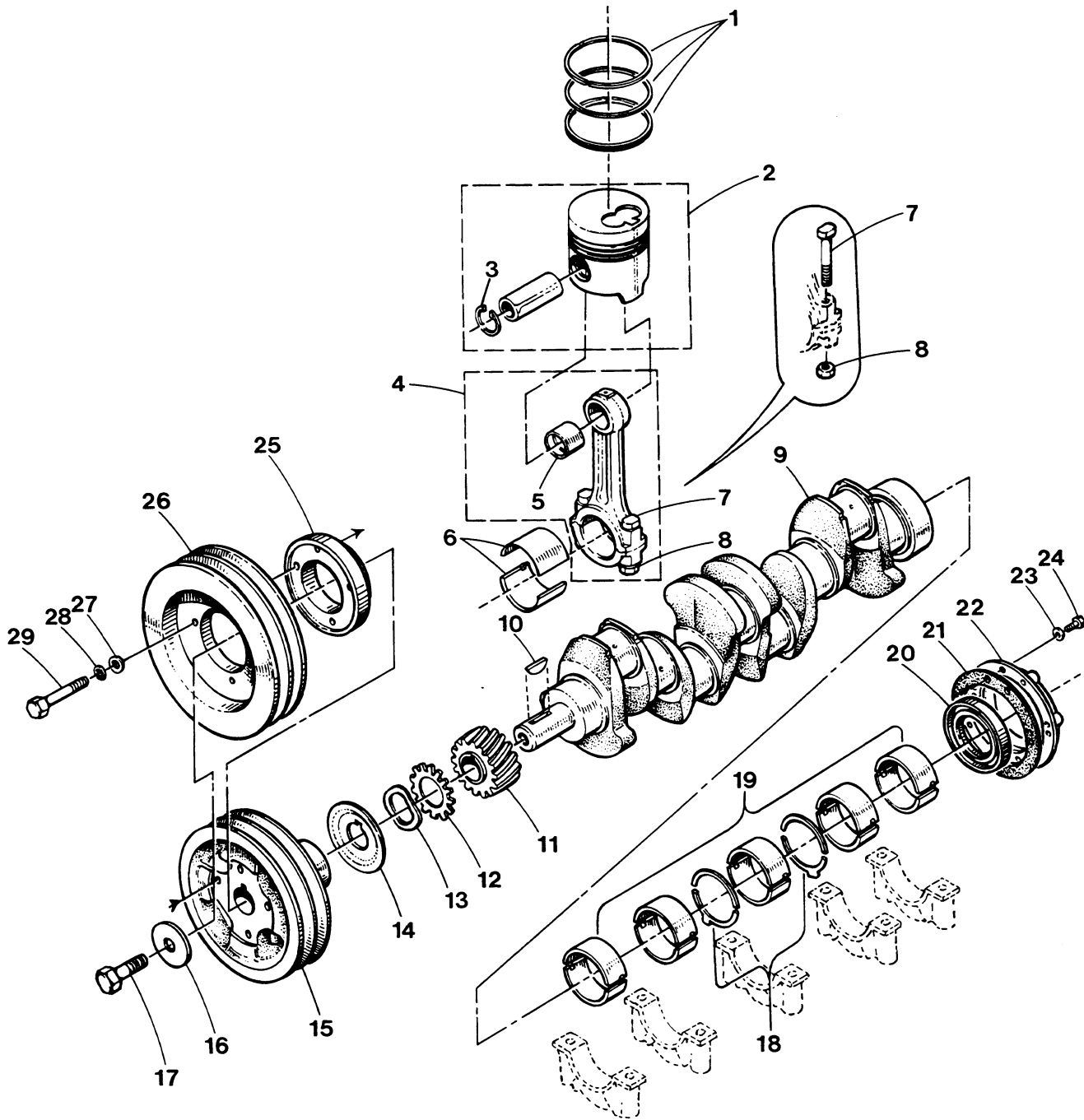
WESTERBEKE 63B-63C FOUR - 15.0 BTDA/B - CRANKSHAFT - PISTONS



WESTERBEKE 63B-63C FOUR - 15.0 BTDA/B - CRANKSHAFT - PISTONS

REF	PN	NAME	REMARKS	QUAN
1-1	031048	RING SET	STD 63B-15 BTDA	4
1-2	043188	RING SET	STD 63C-15 BTDB	4
1-3	043189	RING SET	0.50 63C-15 BTDB	4
1-4	043190	RING SET	1.00 63C-15 BTDB	4
2-1	031059	PISTON	STD 63B-15 BTDA	4
2-2	043185	PISTON	STD 63C-15 BTDB	4
2-3	043186	PISTON	0.50 63C-15 BTDB	4
2-4	043187	PISTON	1.00 63C-15 BTDB	4
3	030996	CIRCLIP	PISTON PIN RETAINING 63B-15 BTDA	8
4	030997	ROD	CONNECTING	4
5	032372	BUSHING	CONNECTING ROD 63B-15 BTDA	4
6-1	031038	BEARING	CONNECTING ROD SET STD 63B-15 BTDA	1
6-2	031039	BEARING	CONNECTING ROD SET 0.25MM 63B-15 BTDA	1
6-3	031040	BEARING	CONNECTING ROD SET 0.50MM 63B-15 BTDA	1
6-4	031041	BEARING	CONNECTING ROD SET 0.76MM 63B-15 BTDA	1
6-5	043191	BEARING	CONNECTING ROD SET STD 63C-15 BTDB	1
6-6	043192	BEARING	CONNECTING ROD SET 0.25MM 63C-15 BTDB	1
6-7	043193	BEARING	CONNECTING ROD SET 0.50MM 63C-15 BTDB	1
6-8	043194	BEARING	CONNECTING ROD SET 0.75MM 63C-15 BTDB	1
6-9	043195	BEARING	CONNECTING ROD SET 1.00MM 63C-15 BTDB	1
7	030998	BOLT	CONNECTING ROD	8
8	030999	NUT	CONNECTING ROD BOLT	8
9-1	033548	CRANKSHAFT	63B-15 BTDA	1
9-2	031000	CRANKSHAFT	63C-15 BTDB	1
10-1	032903	KEY	WOODRUFF 5x45 MM CRANKSHAFT 33548	1
10-2	024407	KEY	6.375 MM CRANKSHAFT 31000	1
11-1	033549	GEAR	CRANKSHAFT 63B-15 BTDA	1
11-2	043206	GEAR	CRANKSHAFT 63C-15 BTDB	1
12	032749	GEAR	FRICION 63B-15 BTDA	1
13	031002	SPRING	FRICION GEAR 63B-15 BTDA	1
14-1	031004	SLINGER	CRANKSHAFT FRONT 63B-15 BTDA	1
14-2	043165	SLINGER	CRANKSHAFT FRONT 63C-15 BTDB	1
15-1	031102	PULLEY	CRANKSHAFT 5MM KEY 63B-15 BTDA	1
15-2	040929	PULLEY	CRANKSHAFT 63C-15 BTDB	1
15-3	040928	PULLEY	CRANKSHAFT 63C ALLOWS ACCESSORY PULLEYS	1
16-1	032663	WASHER	CRANKSHAFT PULLEY 63B-15 BTDA	1
16-2	043167	WASHER	CRANKSHAFT PULLEY 63C-15 BTDB	1
17-1	032663	BOLT	CRANKSHAFT PULLEY 63B-15 BTDA	1
17-2	043166	BOLT	CRANKSHAFT PULLEY 63C-15 BTDB	1

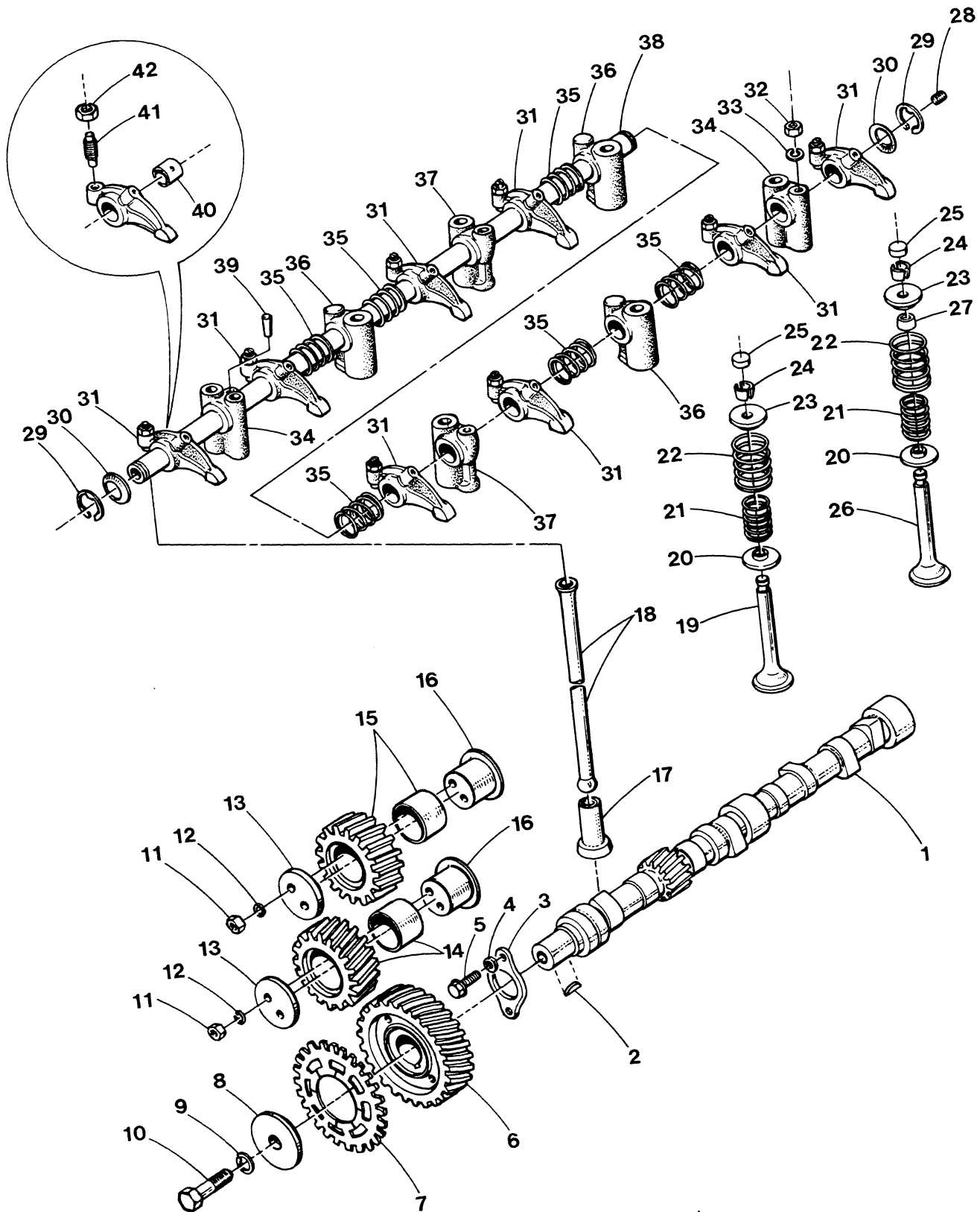
WESTERBEKE 63B-63C FOUR - 15.0 BTDA/B - CRANKSHAFT - PISTONS



WESTERBEKE 63B-63C FOUR - 15.0 BTDA/B - CRANKSHAFT - PISTONS

REF	PN	NAME	REMARKS	QUAN
18-1	031046	WASHER	THRUST SET STD 63B-15 BTDA	1
18-2	031047	WASHER	THRUST SET 0.356MM 63B-15 BTDA	1
18-3	043201	WASHER	THRUST SET STD 63C-15 BTDB	1
18-4	043202	WASHER	THRUST SET 0.25MM 63C-15 BTDB	1
18-5	043203	WASHER	THRUST SET 0.50 MM 63C-15 BTDB	1
18-6	043204	WASHER	THRUST SET 0.75 MM 63C-15 BTDB	1
18-7	043205	WASHER	THRUST SET 1.00 MM 63C-15 BTDB	1
19-1	031042	BEARING	MAIN SET STD 63B-15 BTDA	1
19-2	031043	BEARING	MAIN SET 0.25MM 63B-15 BTDA	1
19-3	031044	BEARING	MAIN SET 0.50MM 63C-15 BTDA	1
19-4	031045	BEARING	MAIN SET 0.76MM 63B-15 BTDA	1
19-5	043196	BEARING	MAIN SET STD 63C-15 BTDB	1
19-6	043197	BEARING	MAIN SET 0.25MM 63C-15 BTDB	1
19-7	043198	BEARING	MAIN SET 0.50MM 63C-15 BTDB	1
19-8	043199	BEARING	MAIN SET 0.75MM 63C-15 BTDB	1
19-9	043200	BEARING	MAIN SET 1.00MM 63C-15 BTDB	1
20-1	030976	SEAL	OIL CRANKSHAFT REAR 63B-15 BTDA	1
21-1	030975	GASKET	CRANKSHAFT OIL SEAL FLANGE 63B-15 BTDA	1
21-2	043181	GASKET	CRANKSHAFT OIL SEAL FLANGE 63C-15 BTDB	1
22-1	030974	FLANGE	CRANKSHAFT REAR OIL SEAL 63B-15 BTDA	1
22-2	040678	FLANGE	CRANKSHAFT REAR OIL SEAL 63C-15 BTDB	1
23	031758	LOCKWASHER	5/16	8
24		CAPSCREW	5/16NF X 1-3/8	8
25	031104	SPACER	ACCY PULLEY TO CRANKSHAFT PULLEY 63B	1
26-1	031328	PULLEY KIT	ACCY 3 GROOVE 5 INCH INCL REF 25-29 63B	1
26-2	031329	PULLEY KIT	ACCY 2 GROOVE 6 INCH INCL REF 25-29 63B	1
26-3	031330	PULLEY KIT	ACCY 2 GROOVE 7 INCH INCL REF 25-29 63B	1
26-4	040615	PULLEY	ACCY 1 GROOVE 7 IN 63C WITH 40928 PULLEY	1
26-5	041309	PULLEY	ACCY 2 GROOVE 7 IN 63C WITH 40928 PULLEY	1
27	031759	WASHER	FLAT 5/16	4
28	031758	LOCKWASHER	5/16	4
29-1	031590	CAPSCREW	5/16NF X 3-1/2 FOR 3 GROOVE PULLEY 63B	4
29-2	031584	CAPSCREW	5/16NF X 2 FOR 2 GROOVE PULLEY 63B	4
29-3	021558	CAPSCREW	M 8 X 35 DIN 933 63C	4

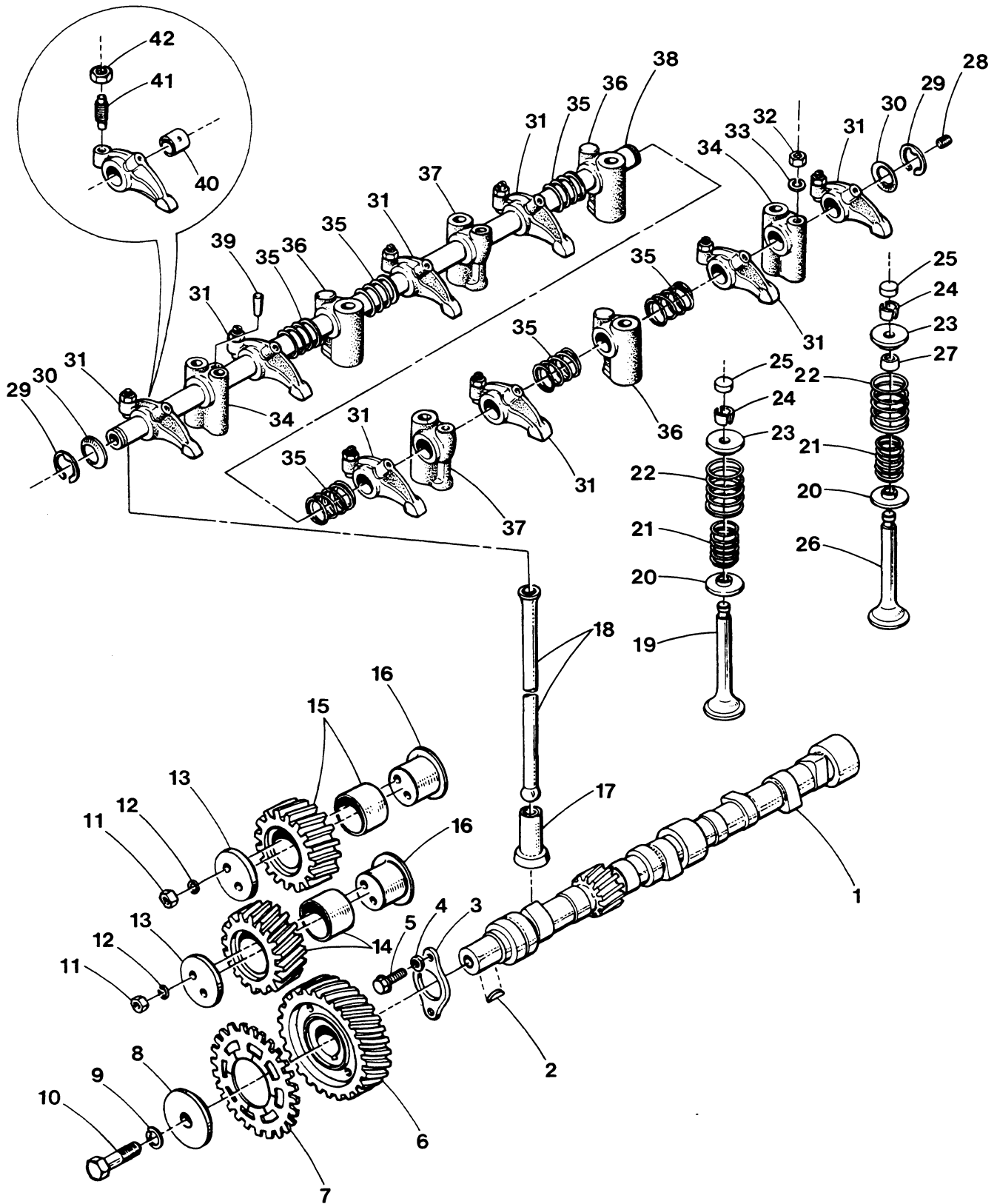
WESTERBEKE 63B-63C FOUR-15.0 BTDA/B - VALVES - CAMSHAFT - ROCKER SHAFT



WESTERBEKE 63B-63C FOUR-15.0 BTDA/B - VALVES - CAMSHAFT - ROCKER SHAFT

REF	PN	NAME	REMARKS	QUAN
1-1	031017	CAMSHAFT	63B-15 BTDA	1
1-2	043169	CAMSHAFT	63C-15 BTDB	1
2	024445	KEY	WOODRUFF	1
3-1	024446	PLATE	CAMSHAFT RETAINING 63B-15 BTDA	1
3-2	040713	PLATE	CAMSHAFT RETAINING 63C-15 BTDB	1
4	031758	LOCKWASHER	5/16	2
5	031577	CAPSCREW	5/16NF X 5/8	2
6	031013	GEAR	CAMSHAFT	1
7	031015	GEAR	FRICTION	1
8	031014	PLATE	LOCK CAMSHAFT GEAR	1
9	017849	WASHER		1
10	024384	CAPSCREW	CAMSHAFT GEAR	1
11	031760	NUT	5/16NF	4
12	031758	LOCKWASHER	5/16	4
13	024443	PLATE	IDLER GEAR	2
14	031012	GEAR	IDLER LEFT	1
15	031011	GEAR	IDLER RIGHT	1
16-1	030968	HUB	IDLER GEAR-REQUIRES DOWEL 32368 63B	2
16-2	037208	HUB	IDLER GEAR 63B-15 BTDA	2
16-3	040711	HUB	IDLER GEAR 63C-15 BTDB	2
17	030966	TAPPET		8
18	031010	PUSHROD		8
19-1	024346	VALVE	EXHAUST 63B-15 BTDA	4
19-2	040707	VALVE	EXHAUST 63C-15 BTDB	4
20	024427	SEAT	VALVE SPRING LOWER	8
21	024426	SPRING	VALVE INNER	8
22	024425	SPRING	VALVE OUTER	8
23	024424	SEAT	VALVE SPRING UPPER	8
24-1	024429	COTTER	VALVE 63B-15 BTDA	16
24-2	040708	COTTER	VALVE 63C-15 BTDB	16
25	024351	CAP	VALVE STEM	8
26-1	024423	VALVE	INTAKE 63B-15 BTDA	4
26-2	040704	VALVE	INTAKE 63C-15 BTDB	4
27	024428	SEAL	VALVE STEM OIL 63B-15 BTDA	4
28	012446	PLUG	ROCKER SHAFT END	2
29	033658	CIRCLIP	12 MM	2
30	024437	WASHER	ROCKER SHAFT	2

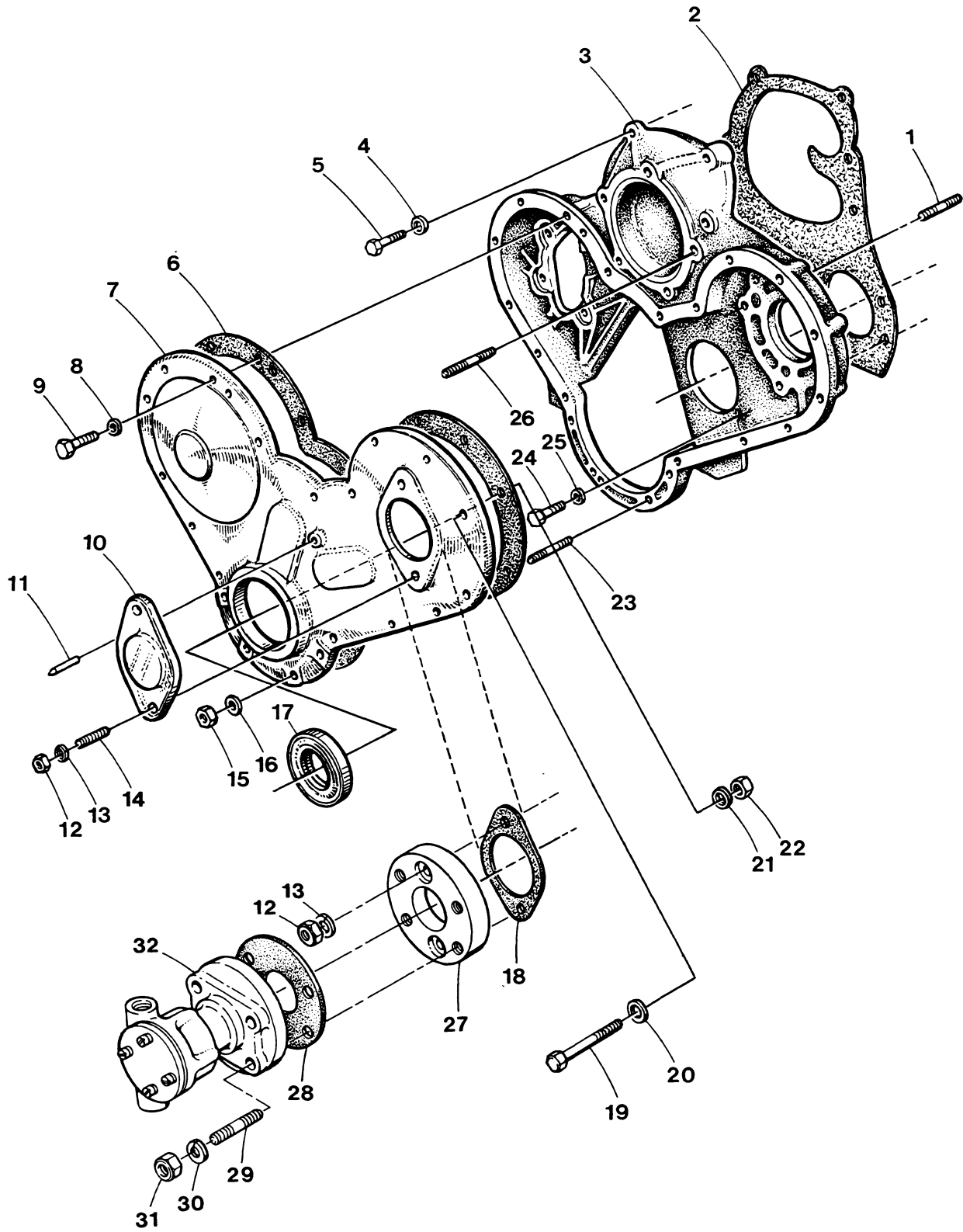
WESTERBEKE 63B-63C FOUR-15.0 BTDA/B - VALVES - CAMSHAFT - ROCKER SHAFT



WESTERBEKE 63B-63C FOUR-15.0 BTDA/B - VALVES - CAMSHAFT - ROCKER SHAFT

REF	PN	NAME	REMARKS	QUAN
31-1	024430	ROCKER	INCLUDING BUSHING, SCREW AND NUT 63B	8
31-2	043168	ROCKER	INCLUDING BUSHING, SCREW AND NUT 63C	8
32	032883	NUT	LOCKING	2
33	031764	LOCKWASHER	3/8	2
34-1	024434	BRACKET	ROCKER SHAFT 63B-15 BTDA	2
34-2	038324	BRACKET	ROCKER SHAFT 63C-15 BTDB	2
35	024436	SPRING	ROCKER SHAFT	6
36	024435	BRACKET	ROCKER SHAFT	3
37	033664	BRACKET	ROCKER SHAFT	2
38	024433	SHAFT	ROCKER INCLUDING PLUGS	1
39	032384	PIN	TAPER	1
40	024431	BUSHING	ROCKER	8
41	024432	SCREW	ROCKER ADJUSTING	8
42	031761	NUT	5/16NF JAM	8

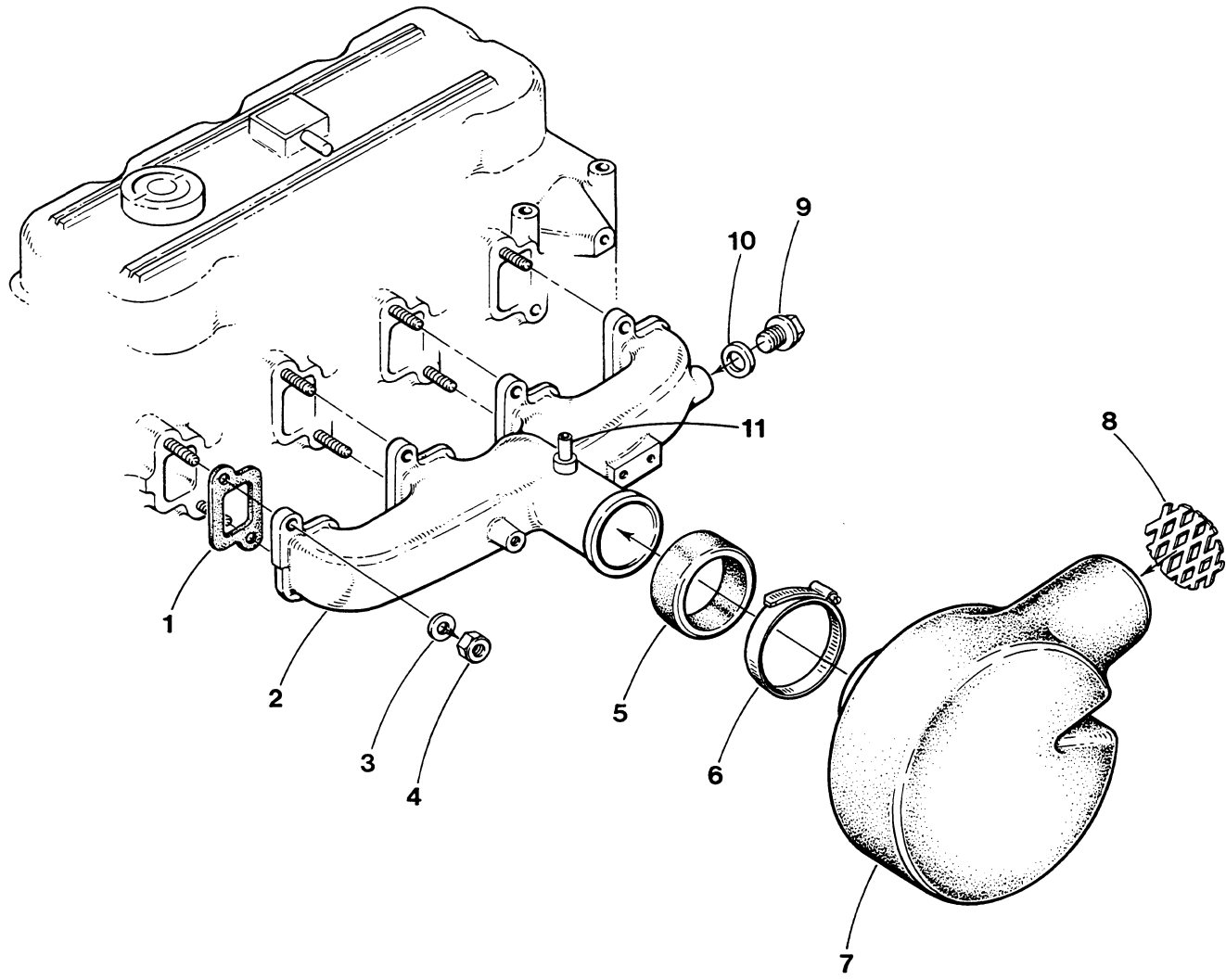
WESTERBEKE 63B-63C FOUR - 15.0 BTDA/B - TIMING GEAR COVER



WESTERBEKE 63B-63C FOUR - 15.0 BTDA/B - TIMING GEAR COVER

REF	PN	NAME	REMARKS	QUAN
1	032379	STUD	5/16NF X 1-5/8	2
2	030993	GASKET	BLOCK TO TIMING CASE	1
3-1	030992	CASE	TIMING GEAR 63B-15 BTDA	1
3-2	043182	CASE	TIMING GEAR 63C-15 BTDB	1
4	031758	LOCKWASHER	5/16	3
5		CAPSCREW	5/16NF X 1-3/8	3
6	030995	GASKET	TIMING COVER TO CASE	1
7-1	030994	COVER	TIMING CASE 63B-15 BTDA	1
7-2	043163	COVER	TIMING CASE 63C-15 BTDB	1
8	031758	LOCKWASHER	5/16	9
9	031585	CAPSCREW	5/16NF X 2-1/4	9
10	024398	COVER	WHEN NO SEA WATER PUMP IS USED	1
11-1	030965	POINTER	TIMING 63B-15 BTDA	1
11-2	043164	POINTER	TIMING 63C-15 BTDB	1
12	031761	NUT	5/16NF JAM	2
13	031758	LOCKWASHER	5/16	2
14	032381	STUD	5/16NF X 3/4	2
15	031760	NUT	5/16NF	9
16	031758	LOCKWASHER	5/16	9
17	031056	SEAL	OIL	1
18	024399	GASKET	TIMING COVER TO PUMP ADAPTER	1
19	031588	CAPSCREW	5/16NF X 3	2
20	031759	WASHER	FLAT 5/16	2
21	031758	LOCKWASHER	5/16	2
22	031760	NUT	5/16NF	2
23	032379	STUD	5/16NF X 1-5/8	9
24	031579	CAPSCREW	5/16NF X 7/8	5
25	031758	LOCKWASHER	5/16	5
26	032383	STUD	5/16NF X 2-1/4	5
27	030106	ADAPTER	SEA WATER PUMP TO TIMING COVER	1
28	011143	GASKET	SEA WATER PUMP MOUNT TO ADAPTER	1
29	011263	STUD	SEA WATER PUMP MOUNT	4
30	031758	LOCKWASHER	5/16	4
31	031760	NUT	5/16NF	4
32	016423	PUMP	SEA WATER	1

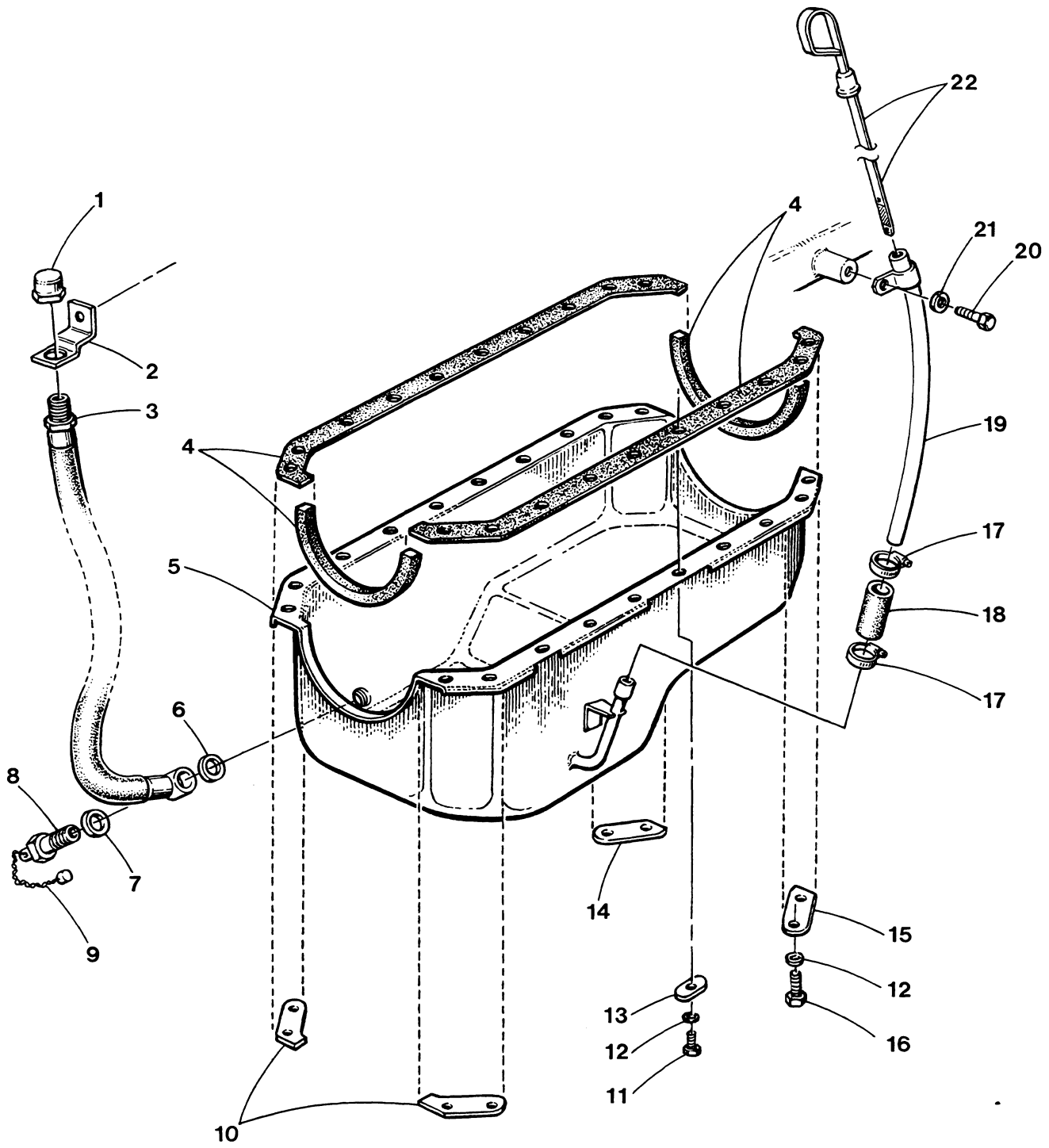
WESTERBEKE 63B-63C FOUR - 15.0 BTDA/B - INTAKE MANIFOLD AND SILENCER



WESTERBEKE 63B-63C FOUR - 15.0 BTDA/B - INTAKE MANIFOLD AND SILENCER

REF	PN	NAME	REMARKS	QUAN
1	024453	GASKET	INTAKE MANIFOLD TO HEAD	4
2-1	031018	MANIFOLD	INTAKE 63B-15 BTDB	1
2-2	040483	MANIFOLD	INTAKE 63C-15 BTDB	1
3	031758	LOCKWASHER	5/16	8
4	031760	NUT	5/16NF	8
5	037642	BUSHING	SILENCER TO MANIFOLD	1
6	011505	CLAMP	HOSE 48	1
7-1	037785	SILENCER	AIR INTAKE INCL SCREEN - PROPULSION	1
7-2	037786	SILENCER	AIR INTAKE INCL SCREEN - GENSET	1
8	037641	SCREEN	INCLUDED IN SILENCER	1
9	032365	PLUG	M18 X 1.5 DIN 910 MANIFOLD 31018 63B	1
10	036493	WASHER	M18	1
11	024926	CONNECTOR	BREATHER HOSE 63C-15 BTDB	1

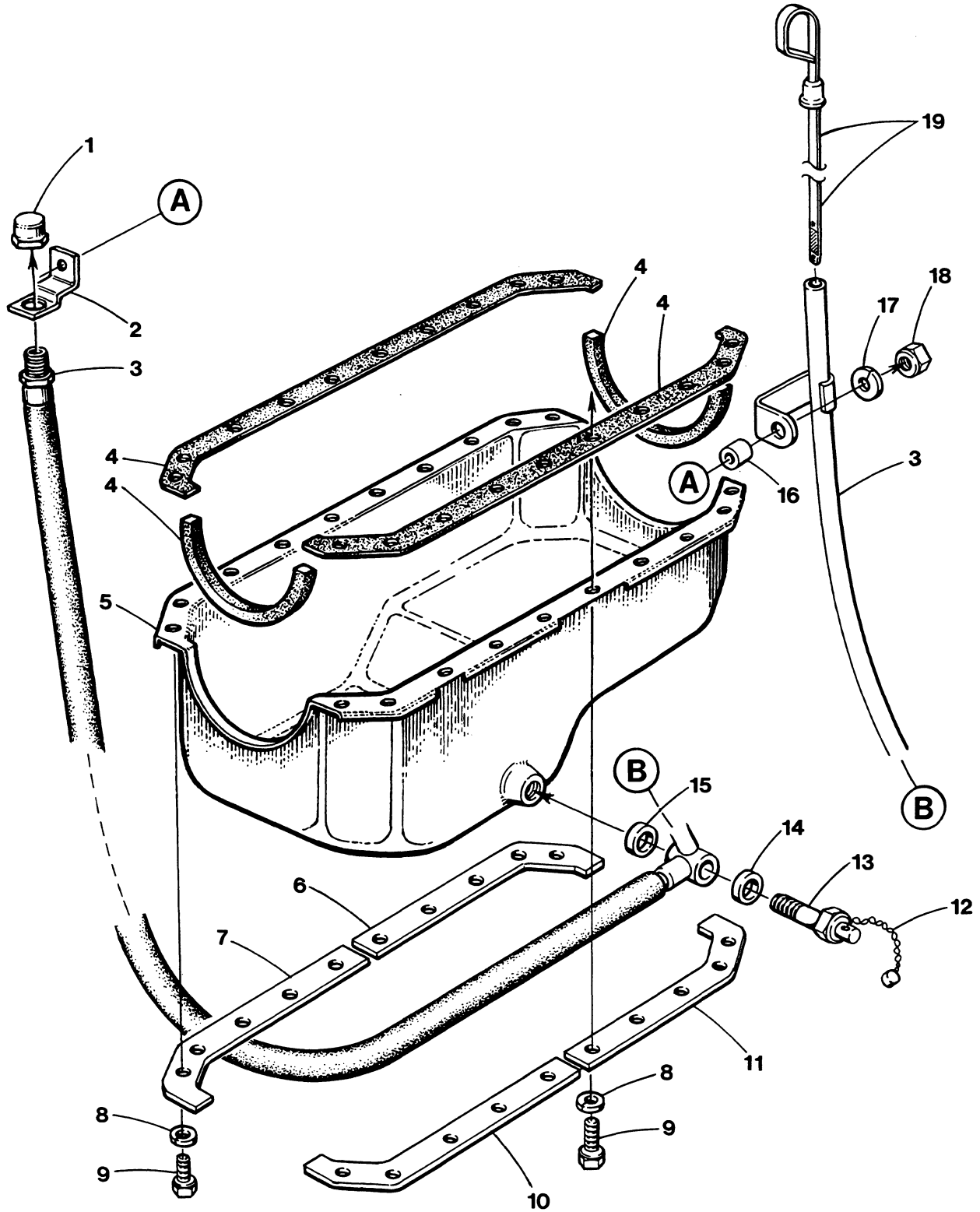
WESTERBEKE 63B FOUR - 15.0 BTDA - OIL SUMP



WESTERBEKE 63B FOUR - 15.0 BTDA - OIL SUMP

REF	PN	NAME	REMARKS	QUAN
1	024905	CAP	SUMP DRAIN HOSE	1
2	024922	BRACKET	SUMP DRAIN HOSE	1
3	031173	HOSE	SUMP DRAIN	1
4	031051	GASKET SET	SUMP	1
5	031058	SUMP	OIL	1
6	030291	WASHER	BANJO M14	1
7	036493	WASHER		1
8	036821	BOLT	BANJO	1
9	037393	SEAL	LEAD WIRE	1
10	030989	STIFFENER	FRONT	2
11	031577	CAPSCREW	5/16NF X 5/8	15
12	031758	LOCKWASHER	5/16	17
13	024391	STIFFENER	SIDE	12
14	030972	STIFFENER	REAR	1
15	030973	STIFFENER	REAR	1
16	031578	CAPSCREW	5/16NF X 3/4	2
17	017298	CLAMP	HOSE	2
18	303133	HOSE	INCHES REQUIRED	2
19	030990	TUBE	DIPSTICK	1
20	031577	CAPSCREW	5/16NF X 5/8	1
21	031758	LOCKWASHER	5/16	1
22	030991	DIPSTICK		1

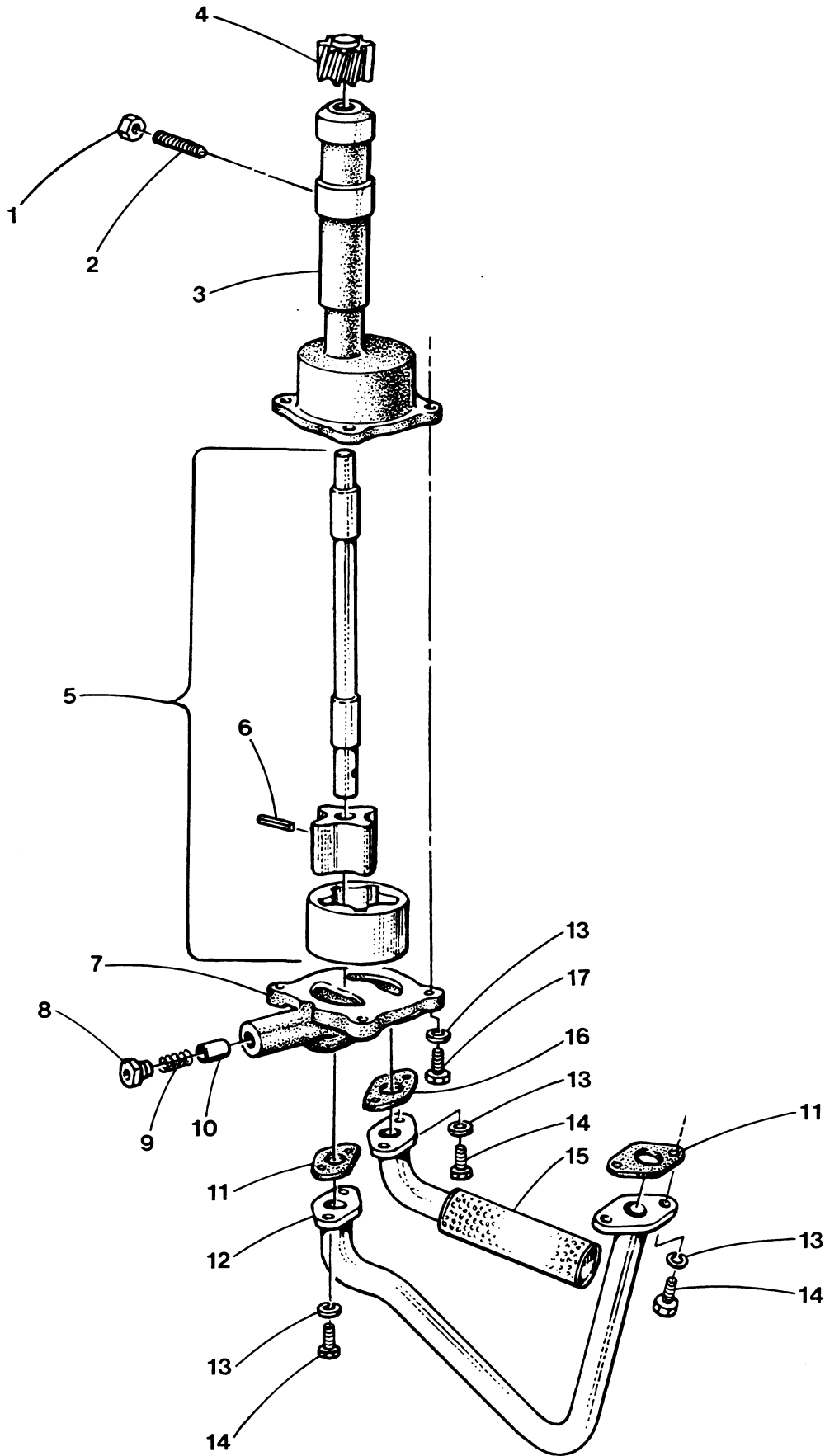
WESTERBEKE 63C FOUR - 15.0 BTDB - OIL SUMP



WESTERBEKE 63C FOUR - 15.0 BTDB - OIL SUMP

REF	PN	NAME	REMARKS	QUAN
1	024905	CAP	SUMP DRAIN HOSE	1
2	024922	BRACKET	SUMP DRAIN HOSE	1
3	040521	TUBE	DIPSTICK-SUMP DRAIN HOSE ASSEMBLY	1
4	043213	GASKET SET	SUMP	1
5	043207	SUMP	OIL	1
6	043162	STIFFENER	REAR RIGHT	1
7	043160	STIFFENER	FRONT RIGHT	1
8	031758	LOCKWASHER	5/16	20
9	031578	CAPSCREW	5/16NF X 3/4	20
10	043159	STIFFENER	FRONT LEFT	1
11	043161	STIFFENER	REAR LEFT	1
12	037393	SEAL	LEAD WIRE	1
13	036821	BOLT	BANJO	1
14	036493	WASHER		1
15	030291	WASHER	BANJO M14	1
16	021885	SPACER		1
17	031758	LOCKWASHER	5/16	1
18	031760	NUT	5/16NF	1
19	040940	DIPSTICK		1

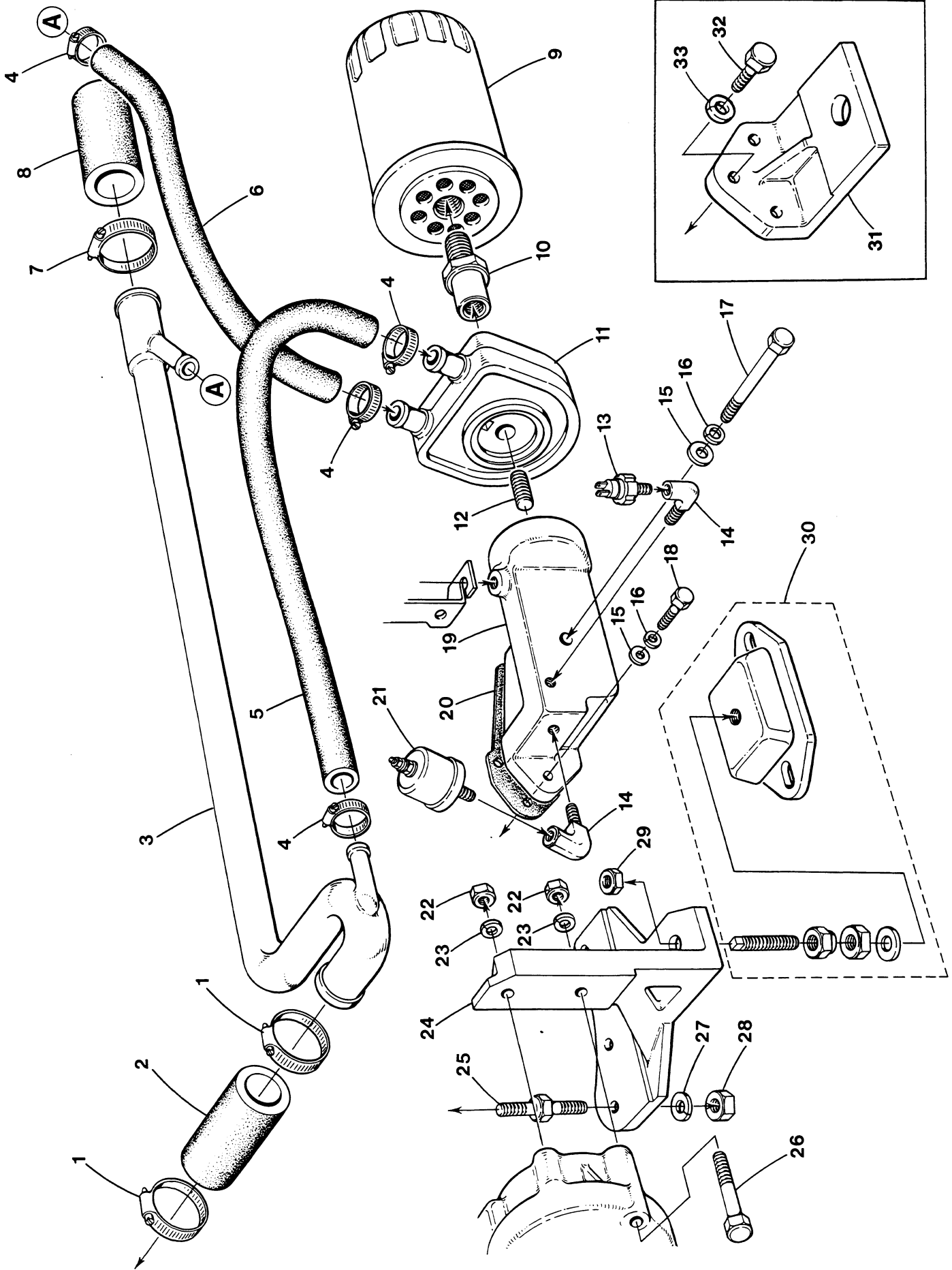
WESTERBEKE 63B-63C FOUR - 15.0 BTDA/B - LUBE OIL PUMP



WESTERBEKE 63B-63C FOUR - 15.0 BTDA/B - LUBE OIL PUMP

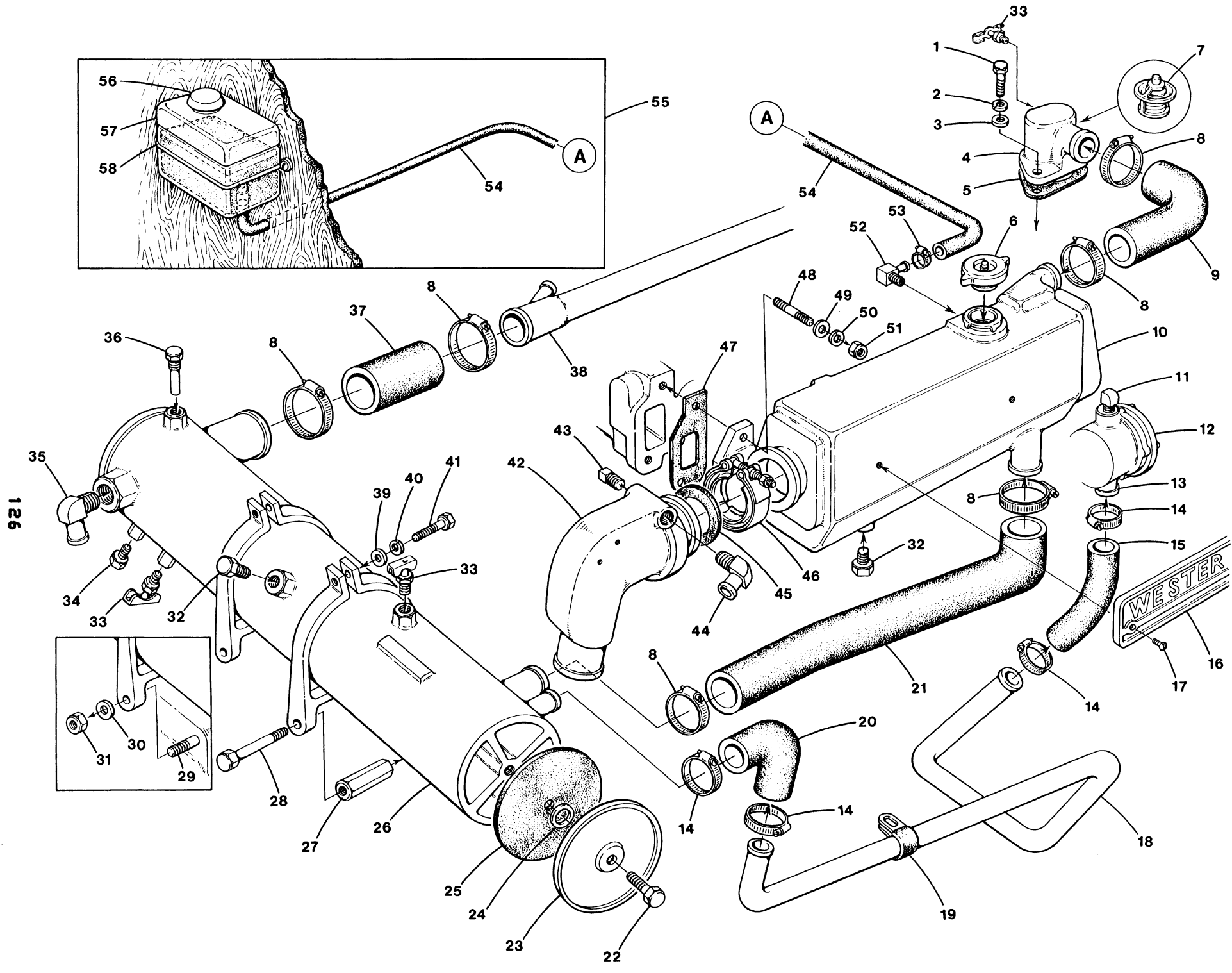
REF	PN	NAME	REMARKS	QUAN
1	031773	NUT	7/16NF JAM	1
2	024350	SETSCREW	OIL PUMP RETAINING	1
3-1	031029	PUMP	OIL INCL REF 3 THRU 11 63B-15 BTDA	1
3-2	043170	PUMP	OIL INCL REF 3 THRU 11 63C-15 BTDB	1
4-1	024469	GEAR	PUMP 31029 DRIVE	1
4-2	043178	GEAR	PUMP 43170 DRIVE	1
5-1	031031	SHAFT	INCLUDING ROTOR 31029 PUMP	1
5-2	043172	SHAFT	INCLUDING ROTOR 43170 PUMP	1
6-1	024468	PIN	PUMP 31029	1
6-2	043177	PIN	PUMP 43170	1
7-1	031030	COVER	OIL PUMP 31029	1
7-2	043171	COVER	OIL PUMP 43170	1
8-1	030977	PLUG	OIL RELIEF VALVE 31029 PUMP	1
8-2	043176	PLUG	OIL RELIEF VALVE 43170 PUMP	1
9	024517	SPRING	OIL RELIEF VALVE	1
10-1	024470	VALVE	OIL RELIEF 31029 PUMP	1
10-2	043179	VALVE	OIL RELIEF 43170 PUMP	1
11	024472	GASKET	OIL LINE	2
12	031033	LINE	OIL	1
13	031752	LOCKWASHER	1/4	10
14	031527	CAPSCREW	1/4NF X 5/8	6
15-1	031032	STRAINER	OIL PICKUP 63B-15 BTDA	1
15-2	043173	STRAINER	OIL PICKUP 63C-15 BTDB	1
16	030969	GASKET	STRAINER TO PUMP	1
17	031528	CAPSCREW	1/4NF X 3/4	4

WESTERBEKE 63B/C FOUR-15.0 BTDA/B - OIL FILTER AND COOLER-FRONT MOUNT



WESTERBEKE 63B/C FOUR-15.0 BTDA/B - OIL FILTER AND COOLER-FRONT MOUNT

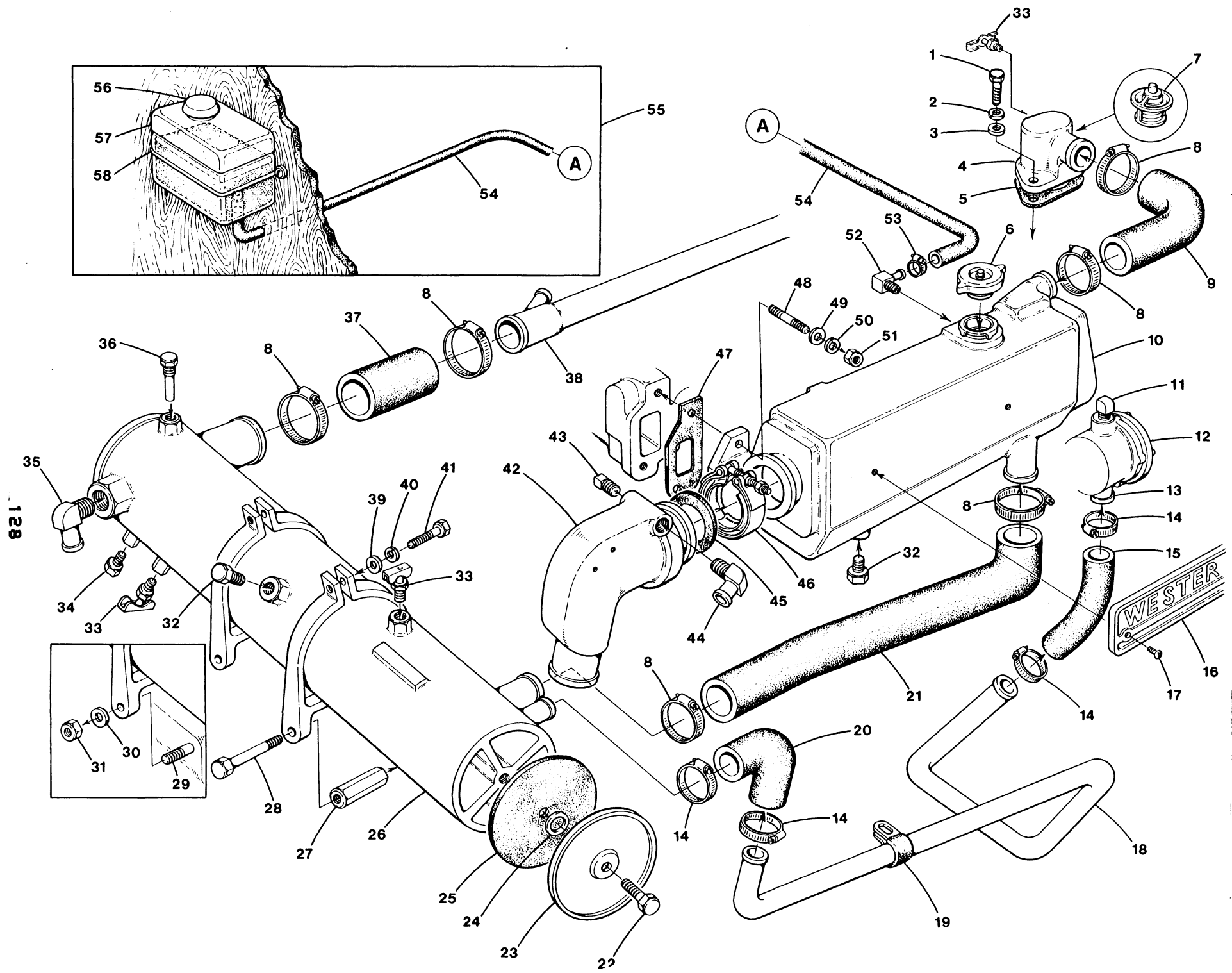
REF	PN	NAME	REMARKS	QUAN
1	021122	CLAMP	HOSE 24	2
2	038847	HOSE	1-1/2" ID - INCHES REQUIRED	3
3	038586	TUBE	EXCHANGER TO FRESH WATER PUMP	1
4	011341	CLAMP	HOSE 8	4
5	021516	HOSE	5/8" ID WIRE INSERTED - INCHES REQUIRED	14
6	021516	HOSE	5/8" ID WIRE INSERTED - INCHES REQUIRED	10
7	038193	CLAMP	HOSE 28	1
8	038848	HOSE	1-3/4" ID - INCHES REQUIRED	5
9	035828	FILTER	LUBE OIL	1
10	038514	CONNECTOR	LUBE OIL COOLER	1
11	038582	COOLER	LUBE OIL	1
12	034663	NIPPLE	LUBE OIL ADAPTER	1
13	037323	SWITCH	OIL PRESSURE	1
14	011984	ELBOW	1/8 NPT STREET 90	2
15	031771	WASHER	FLAT 7/16	2
16	031770	LOCKWASHER	7/16	2
17	031692	CAPSCREW	7/16NF X 4	1
18	031682	CAPSCREW	7/16NF X 1-1/2	1
19	038516	ADAPTER	LUBE OIL FILTER	1
20	038581	GASKET	LUBE OIL ADAPTER	1
21	024132	SENDER	OIL PRESSURE	1
22	031760	NUT	5/16NF 63B	2
23	031758	LOCKWASHER	5/16 63B	2
24	038576	MOUNT	FRONT LEFT - 63B PROPULSION	1
25	038515	STUD	FRONT LEFT MOUNT 63B	3
26	031588	CAPSCREW	5/16NF X 3 63B	2
27	031758	LOCKWASHER	5/16 63B	3
28	031760	NUT	5/16NF 63B	3
29-1	036338	NUT	M16 DIN 985 ISOLATOR 36334	1
29-2	040966	NUT	M16 JAM-LOCKING ISOLATOR 40513	2
30-1	036334	ISOLATOR	PROPULSION TO 1/95	1
30-2	040513	ISOLATOR	PROPULSION FROM 1/95	1
31-1	041037	MOUNT	FRONT LEFT 18 IN 63C	1
31-2	041730	MOUNT	FRONT LEFT 18.5 IN 63C	1
32	031681	CAPSCREW	7/16NF X 1-1/4	3
33	031770	LOCKWASHER	7/16	3



126

WESTERBEKE 63B-63C FOUR - 15.0 BTDA/B - COOLING SYSTEM

REF	PN	NAME	REMARKS	QUAN
1	031580	CAPSCREW	5/16NF X 1	3
2	031758	LOCKWASHER	5/16	3
3	031759	WASHER	FLAT 5/16	3
4	037622	HOUSING	THERMOSTAT	1
5	033373	GASKET	THERMOSTAT	1
6	024306	CAP	PRESSURE	1
7	024690	THERMOSTAT		1
8	038193	CLAMP	HOSE 28	6
9	038203	HOSE	THERMOSTAT TO MANIFOLD	1
10	037322	MANIFOLD	EXHAUST	1
11	036616	ELBOW	1/2NPT X 1" HOSE	1
12	016423	PUMP	SEA WATER	1
13	036618	NIPPLE	1/2NPT X 1" HOSE	1
14	011386	CLAMP	HOSE 12	4
15	038789	HOSE	SEA WATER PUMP TO TUBE	1
16	035411	NAMEPLATE		1
17	031935	SCREW	8-32 X 1/4 SS OVAL HEAD	2
18	038592	TUBE	SEA WATER PUMP TO EXCHANGER	1
19	013760	CLAMP	SUPPORT TUBE	1
20	038783	HOSE	TUBE TO EXCHANGER	1
21	037747	HOSE	MANIFOLD TO EXCHANGER	1
22	022852	CAPSCREW	3/8NC X 3/4 BRASS	2
23	022850	COVER	EXCHANGER END	2
24	019321	O-RING	EXCHANGER END COVER	2
25	022851	GASKET	EXCHANGER END COVER	2
26	038300	EXCHANGER	HEAT	1
27	036628	SPACER	EXCHANGER MOUNT - GENSET	2
28	031555	CAPSCREW	5/16NC X 1 - GENSET	2
29	015830	STUD	M 8 X 25 DIN 939 - PROPULSION	2
30	031786	LOCKWASHER	M 8 DIN 127 - PROPULSION	2
31	018242	NUT	M 8 DIN 924 - PROPULSION	2
32	035747	PLUG	1/2NPT BRASS SQUARE HEAD	2
33	011471	PETCOCK	1/8NPT	3
34	019369	PLUG	1/8NPT HEX HEAD BRASS	1
35	036614	ELBOW	3/4NPT X 1" HOSE	1
36	011885	ZINC		1
37	038848	HOSE	1-3/4" ID - INCHES REQUIRED	5
38	038586	TUBE	EXCHANGER TO FRESH WATER PUMP	1

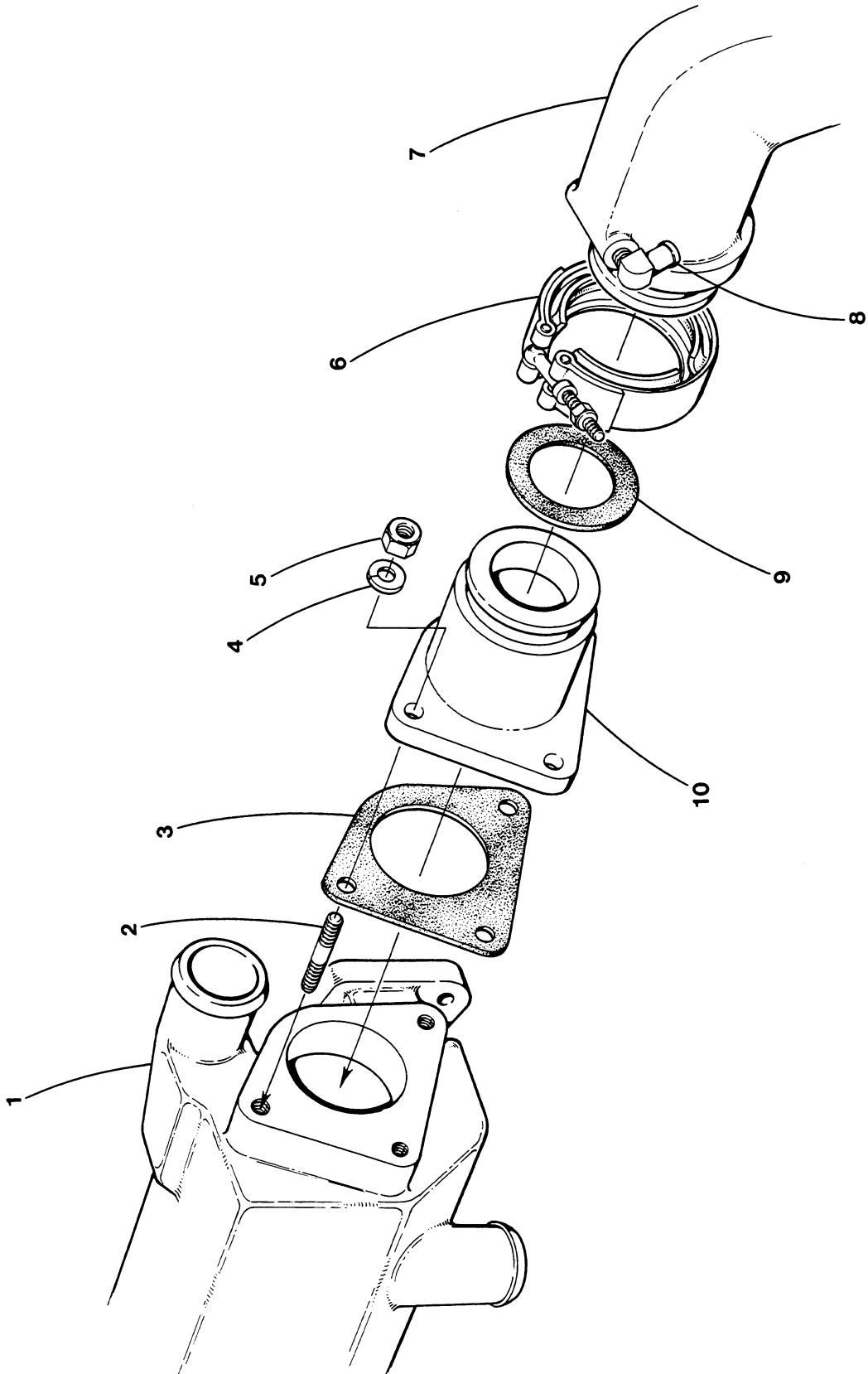


128

WESTERBEKE 63B-63C FOUR - 15.0 BTDA/B - COOLING SYSTEM

REF	PN	NAME	REMARKS	QUAN
39	031753	WASHER	FLAT 1/4	2
40	031752	LOCKWASHER	1/4	2
41	031506	CAPSCREW	1/4NC X 1-1/4	2
42-1	039334	ELBOW KIT	WATER INJECTED 3" HOSE INCL 42-46 63C	1
42-2	038760	ELBOW KIT	WATER INJECTED 2" HOSE INCL 42-46 GENSET	1
43	036849	PLUG	3/4NPT BRASS SQUARE HEAD	1
44	036614	ELBOW	3/4NPT X 1" HOSE	1
45	038221	GASKET	EXHAUST ELBOW TO MANIFOLD	1
46	038153	CLAMP	EXHAUST ELBOW TO MANIFOLD	1
47	037745	GASKET	EXHAUST MANIFOLD TO HEAD	4
48	038510	STUD	EXHAUST MANIFOLD TO HEAD	8
49	031759	WASHER	FLAT 5/16	8
50	031758	LOCKWASHER	5/16	8
51	031756	NUT	5/16NC	8
52	024907	ELBOW	MANIFOLD TO RECOVERY TANK HOSE	1
53	024906	CLAMP	HOSE	2
54	024637	TUBING	MANIFOLD TO TANK - INCHES REQUIRED	60
55	024977	KIT	COOLANT RECOVERY TANK	1
56	024858	CAP	COOLANT RECOVERY TANK	1
57	024704	TANK	COOLANT RECOVERY	1
58	024786	STRAP	COOLANT RECOVERY TANK	1

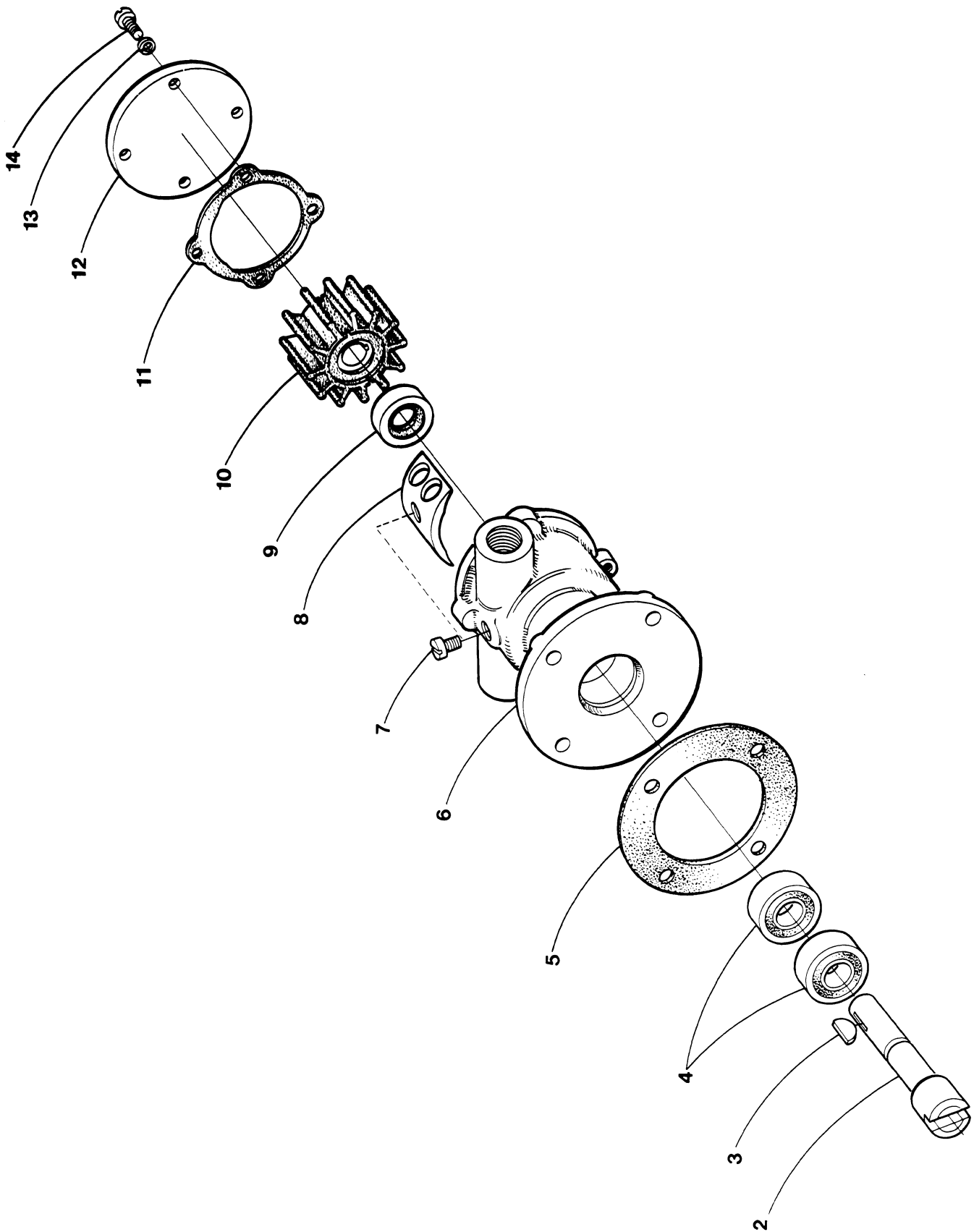
WESTERBEKE 63B-63C FOUR - FRONT OPENING EXHAUST MANIFOLD



WESTERBEKE 63B-63C FOUR - FRONT OPENING EXHAUST MANIFOLD

REF	PN	NAME	REMARKS	QUAN
1	039015	MANIFOLD	FRONT EXHAUST	1
2	037821	STUD	M10 X 30 DIN 939	3
3	037347	GASKET	MANIFOLD TO FLANGE	1
4	019262	LOCKWASHER	M10 DIN 127	3
5	015887	NUT	M10 DIN 934	3
6	038153	CLAMP	EXHAUST ELBOW TO FLANGE	1
7	039016	ELBOW KIT	WATER INJECTED 2" HOSE INCL 6-9 GENSET	1
8	036614	ELBOW	3/4NPT X 1" HOSE	1
9	038221	GASKET	EXHAUST ELBOW TO FLANGE	1
10	038862	FLANGE	MANIFOLD TO EXHAUST ELBOW	1
11-1	037340	ADAPTER	V-CLAMP TO 1.5" NPT MALE	1
11-2	037240	ADAPTER	V-CLAMP TO 1.5" NPT FEMALE	1
11-3	037192	ADAPTER	V-CLAMP TO 2" NPT MALE	1

WESTERBEKE 63B-63C FOUR - 15.0 BTDA/B - SEA WATER PUMP



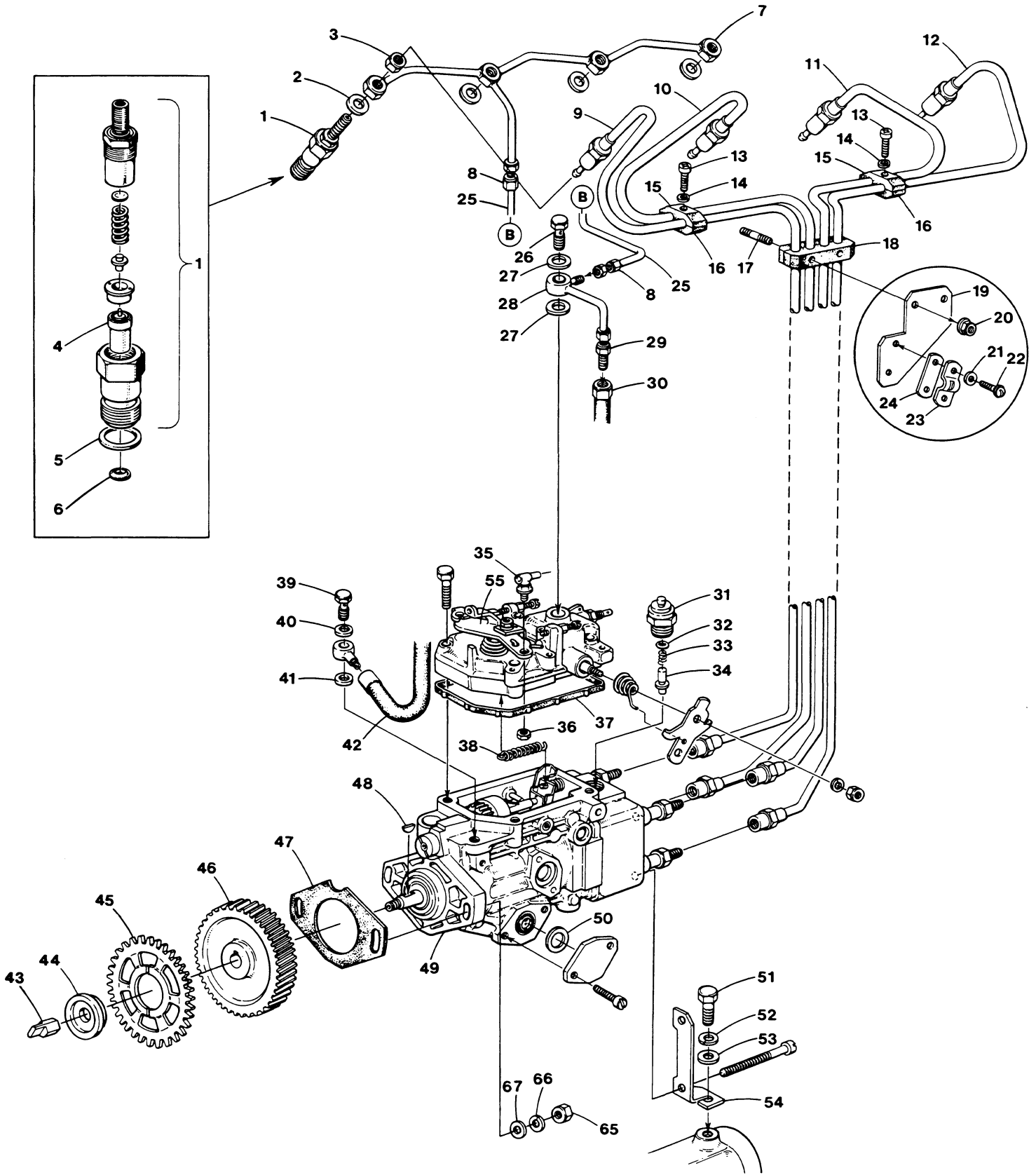
WESTERBEKE 63B-63C FOUR - 15.0 BTDA/B - SEA WATER PUMP

REF	PN	NAME	REMARKS	QUAN
1	016423	PUMP	COMPLETE - EXCLUDING REF 5	1
2	018176	SHAFT		1
3	018148	KEY	IMPELLER TO SHAFT	1
4	018170	BEARING		2
5	011143	GASKET	PUMP MOUNT TO TIMING CASE	1
6	018169	HOUSING	PUMP BODY	1
7	018160	SCREW	BRASS - PUMP HOUSING TO CAM	1
8	018152	CAM		1
9	018159	SEAL		1
10	033104	IMPELLER	INCLUDING GASKET	1
11	015153	GASKET	IMPELLER COVER	1
12	018171	COVER	IMPELLER	1
13	032183	LOCKWASHER	IMPELLER COVER	4
14	018151	SCREW	BRASS - IMPELLER COVER	4
15	018172	KIT	MAJOR REPAIR	1

WESTERBEKE 63B-63C FOUR - 15.0 BTDA/B - FRESH WATER PUMP

REF	PN	NAME	REMARKS	QUAN
1	024518	FLANGE	WATER PUMP PULLEY	1
2		PLATE	SEE REF 20	1
3	032382	SHAFT		1
4	024413	CIRCLIP		1
5	024568	BEARING		2
6	032380	SPACER	BEARING	1
7	024414	CIRCLIP		1
8	024479	PLATE	DUST SEAL	1
9	024481	SLINGER		1
10	031760	NUT	5/16NF	5
11	031758	LOCKWASHER	5/16	5
12	032213	PUMP	FRESH WATER	1
13	031036	GASKET		2
14	031035	PLATE		1
15	024480	SEAL		1
16	032378	IMPELLER		1
17-1	031037	PULLEY	SINGLE GROOVE	1
17-2	031110	PULLEY	2 GROOVE FOR 2 BELT ALTERNATOR DRIVE	1
17-3	038436	PULLEY	4 GROOVE FOR 2 BELT ALTRN & COMPRESSOR	1
18	031758	LOCKWASHER	5/16	4
19	031576	CAPSCREW	5/16NF X 1/2	4
20	031054	KIT	PUMP REBUILD	1

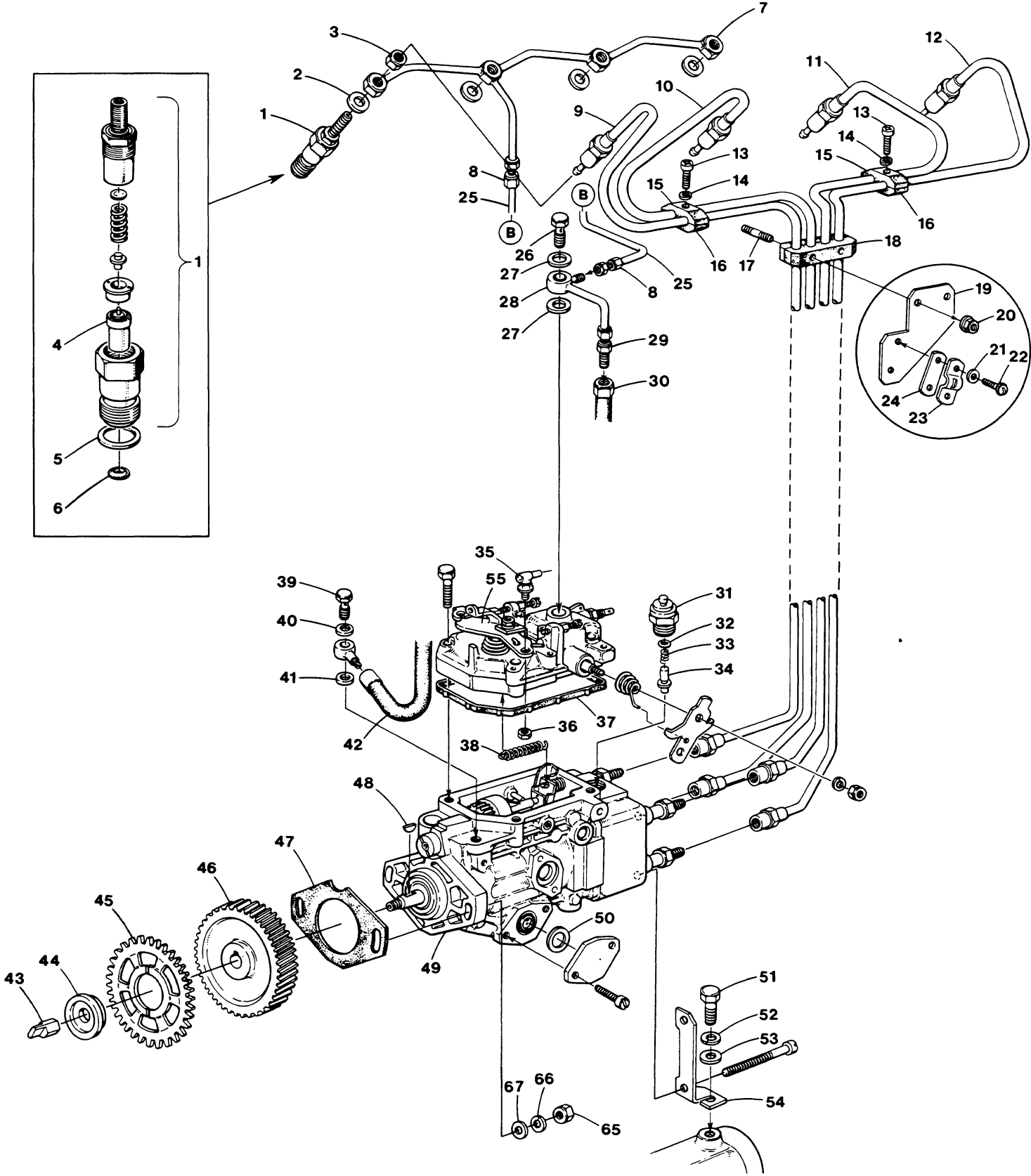
WESTERBEKE 63B-63C FOUR - 15.0 BTDA/B - FUEL SYSTEM



WESTERBEKE 63B-63C FOUR - 15.0 BTDA/B - FUEL SYSTEM

REF	PN	NAME	REMARKS	QUAN
1-1	032743	INJECTOR	ASSEMBLY INCL REF 1-4 63B-15 BTDA	4
1-2	043211	INJECTOR	ASSEMBLY INCL REF 1-4 63C-15 BTDB	4
2	031021	GASKET	RETURN LINE TO INJECTOR	4
3	031050	NUT	RETURN LINE TO INJECTOR	4
4	032744	NOZZLE	INJECTOR 32743	4
5	024454	WASHER		4
6	014464	WASHER		4
7	031020	LINE	INJECTOR RETURN	1
8-1	024600	UNION	COMPRESSION INCL NUTS AND FERRULES	2
8-2	013344	NUT	COMPRESSION 3/16	4
8-3	013343	FERRULE	COMPRESSION 3/16	4
9	031022	LINE	INJECTOR 1	1
10	031023	LINE	INJECTOR 2	1
11	031024	LINE	INJECTOR 3	1
12	031025	LINE	INJECTOR 4	1
13	038914	SCREW	M 5 X 25 DIN 84A PHIL HEAD	2
14	031780	LOCKWASHER	M 5 DIN 127	2
15	038910	CLAMP	FUEL LINE	2
16	038911	CLAMP	FUEL LINE	2
17	038909	STUD	M 5 - FUEL LINE CLAMP	2
18	038912	CLAMP	FUEL LINE	2
19	038602	BRACKET	THROTTLE - PROPULSION	1
20	018241	NUT	M 5 DIN 934	2
21	031849	LOCKWASHER	10	2
22	031873	SCREW	10-32 X 5/8 SS	2
23	013325	CLAMP	THROTTLE CABLE - PROPULSION	1
24	013870	SHIM	THROTTLE CABLE - PROPULSION	1
25	038796	LINE	INJECTOR RETURN TO PUMP	1
26	024501	BOLT	BANJO	1
27	024498	WASHER	BANJO	2
28	032370	BANJO	INJECTION PUMP OUTLET	1
29-1	024633	CONNECTOR	COMPRESSION INCLUDING NUT & FERRULE	1
29-2	016676	NUT	COMPRESSION 1/4	1
29-3	011597	FERRULE	COMPRESSION 1/4	1
30	034857	HOSE	FUEL RETURN	1
31-1	024338	SOLENOID	FUEL SHUT-OFF 12VDC	1
31-2	031285	SOLENOID	FUEL SHUT-OFF 24VDC	1
31-3	034913	SOLENOID	FUEL SHUT-OFF 12VDC UNGROUNDED	1
31-4	034992	SOLENOID	FUEL SHUT-OFF 24VDC UNGROUNDED	1
32	024339	O-RING	FUEL SHUT-OFF SOLENOID	1
33	032131	SPRING	FUEL SHUT-OFF SOLENOID	1
34	032114	PLUNGER	FUEL SHUT-OFF SOLENOID	1
35	019364	BALL JOINT	THROTTLE CABLE - PROPULSION	1
36	031847	NUT	10-32	1
37	024542	GASKET	INJECTION PUMP GOVERNOR COVER	1
38-1	031049	SPRING	GOVERNOR 36193 INJECTION PUMP	1
38-2	024585	SPRING	GOVERNOR 32509 INJECTION PUMP	1
39	030139	BOLT	BANJO	2
40	030291	WASHER	BANJO M14	2
41	030290	WASHER	BANJO M12	3
42		HOSE	FILTER TO INJ PUMP - SEE FILTER PAGE	1

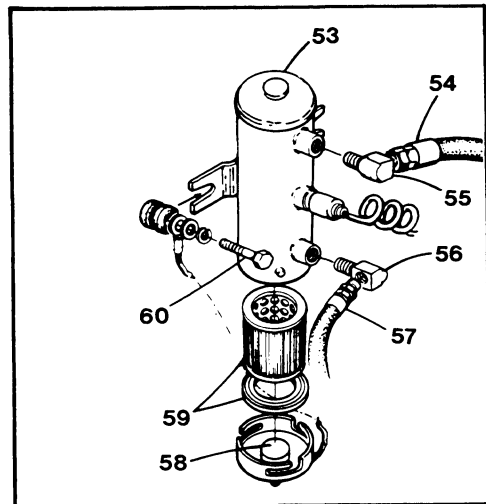
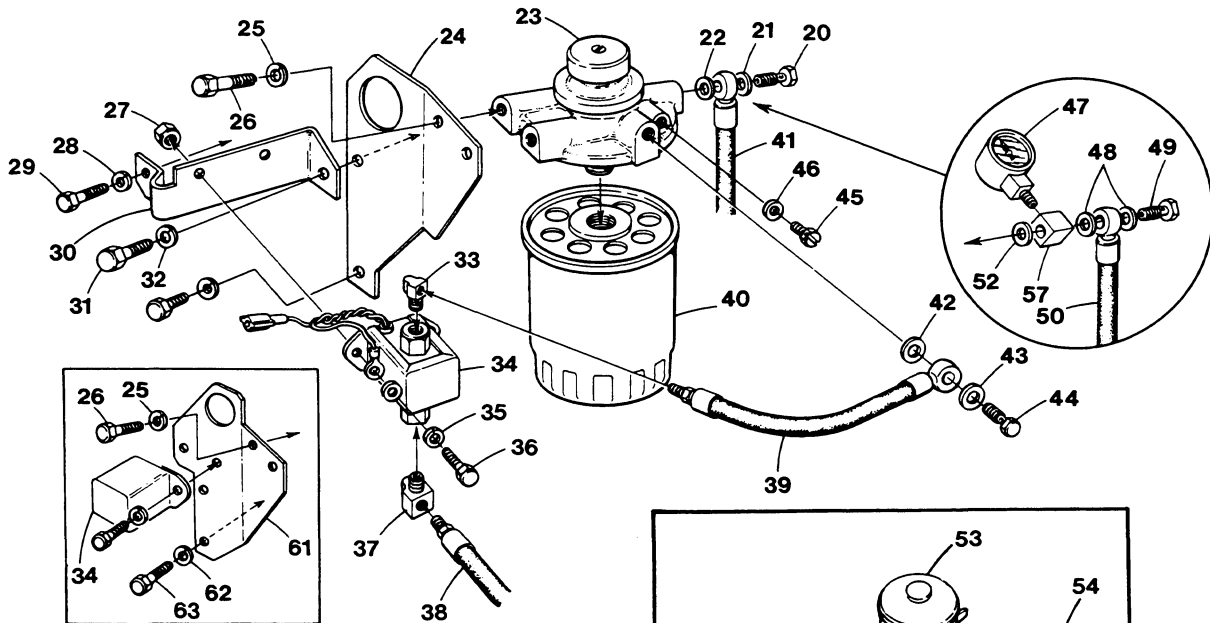
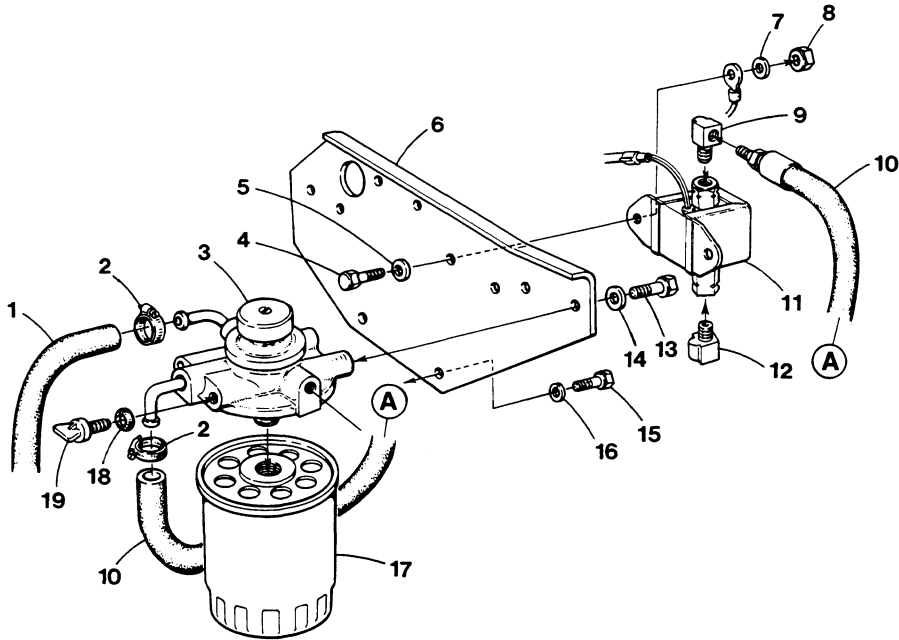
WESTERBEKE 63B-63C FOUR - 15.0 BTDA/B - FUEL SYSTEM



WESTERBEKE 63B-63C FOUR - 15.0 BTDA/B - FUEL SYSTEM

REF	PN	NAME	REMARKS	QUAN
43	030062	TANG	SEA WATER PUMP DRIVE	1
44	031028	WASHER	INJECTION PUMP	1
45	031016	GEAR	FRICTION	1
46-1	031027	GEAR	INJECTION PUMP DRIVE 63B-15 BTDA	1
46-2	043209	GEAR	INJECTION PUMP DRIVE 63C-15 BTDB	1
47	024461	GASKET	INJECTION PUMP MOUNT	1
48	032904	KEY	WOODRUFF	1
49-1	036193	PUMP	INJECTION 63B	1
49-2	032509	PUMP	INJECTION 15 BTDA W/MECHANICAL GOVERNOR	1
49-3	036193	PUMP	INJECTION 15 BTDA W/ELECTRONIC GOVERNOR	1
49-4	043183	PUMP	INJECTION 63C-15 BTDB	1
50	032021	SHIM	INJECTION PUMP 36193-32509	1
51	020650	CAPSCREW	M 8 X 18 DIN 933	1
52	031786	LOCKWASHER	M 8 DIN 127	1
53	031787	WASHER	M 8 DIN 125	1
54	030159	BRACKET	INJECTION PUMP SUPPORT	1
65	031760	NUT	5/16NF	2
66	031758	LOCKWASHER	5/16	2
67	031759	WASHER	FLAT 5/16	2

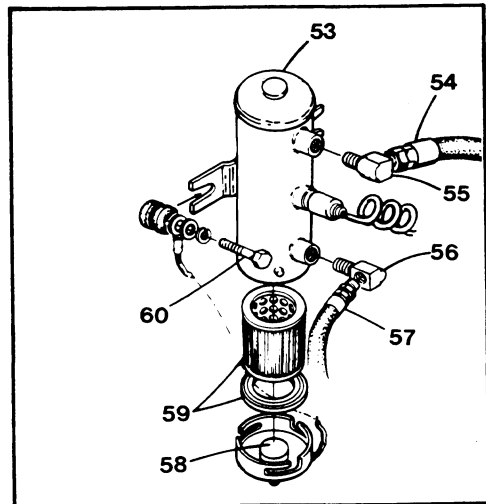
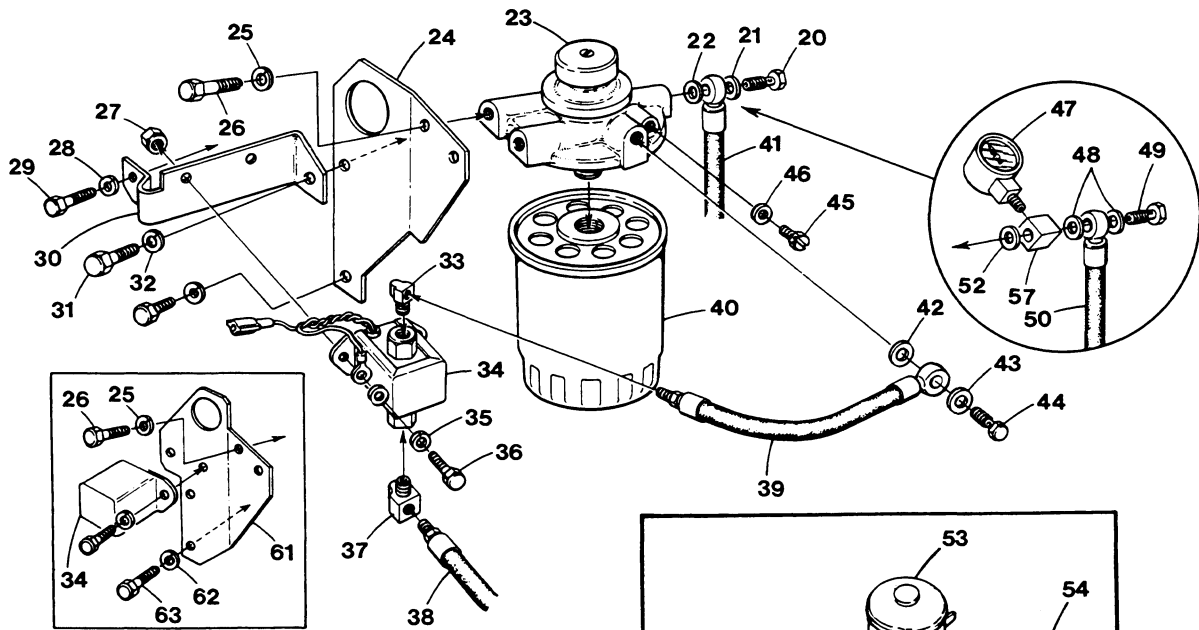
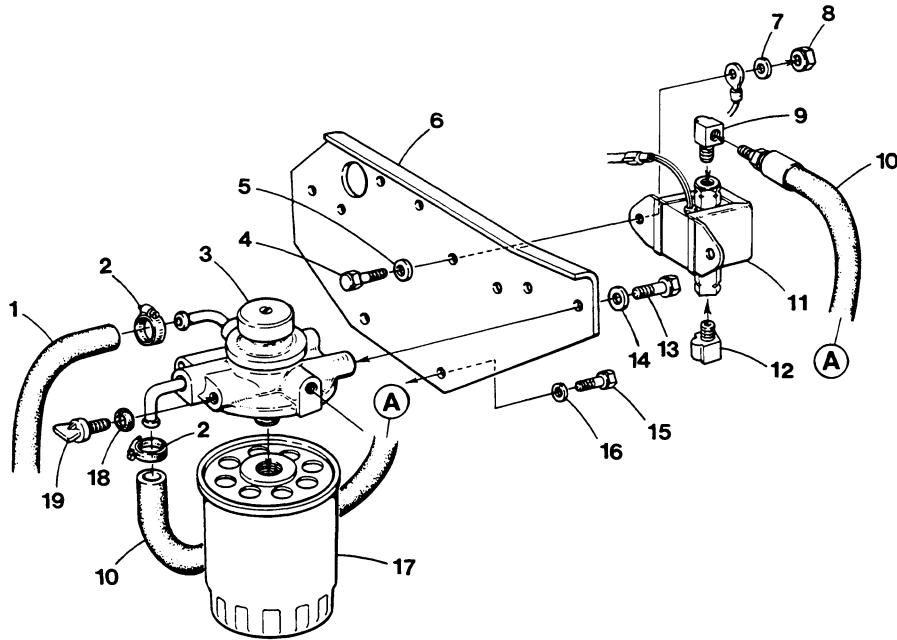
WESTERBEKE 63B-63C - 15.0 BTDA/B - FUEL LIFT PUMP AND FILTER



WESTERBEKE 63B-63C - 15.0 BTDA/B - FUEL LIFT PUMP AND FILTER

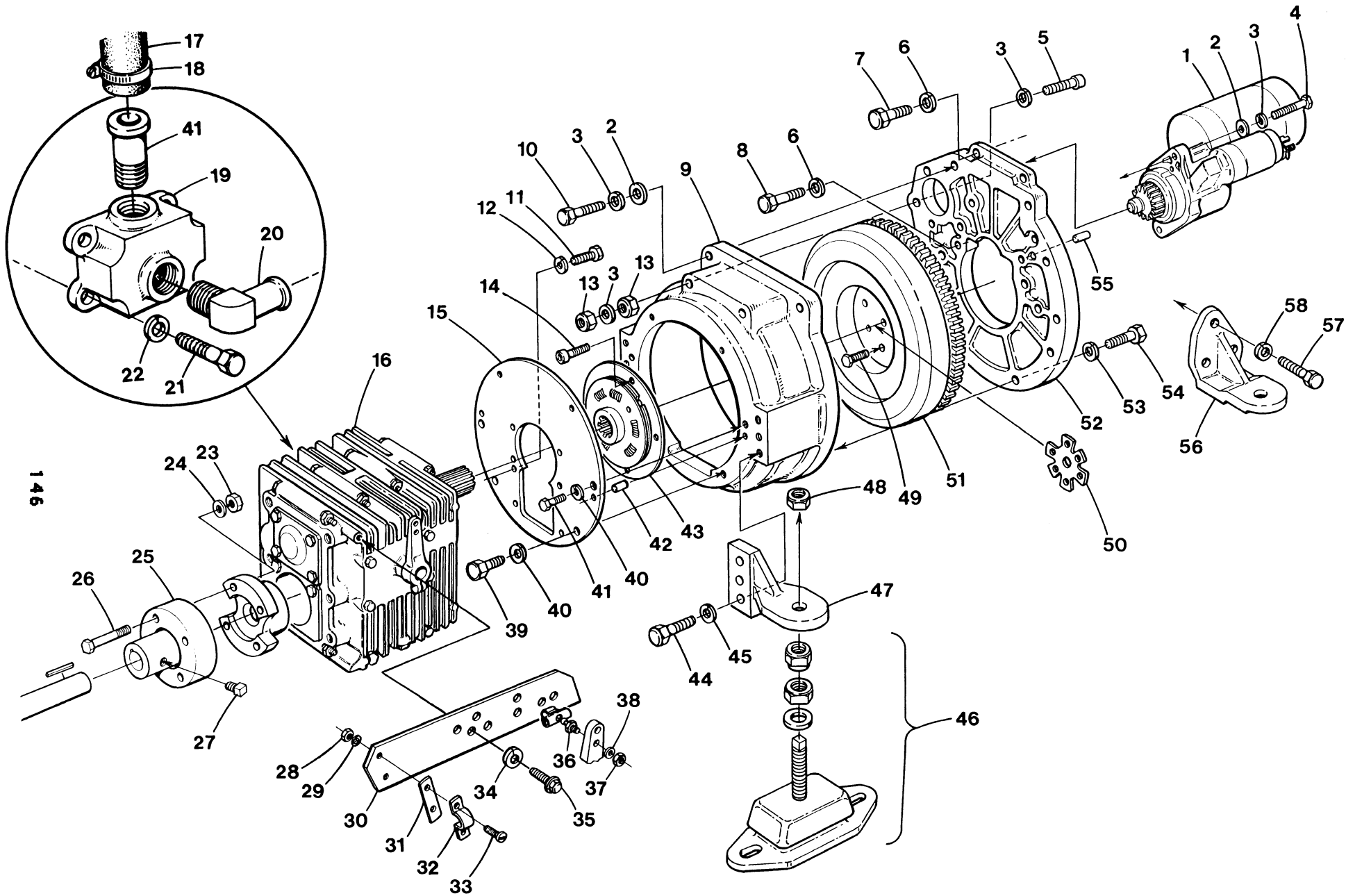
REF	PN	NAME	REMARKS	QUAN
1	040518	HOSE	FILTER TO INJECTION PUMP 63C-15 BTDB	1
2	024906	CLAMP	HOSE	2
3	043184	HOUSING	FUEL FILTER 63C-15 BTDB	1
4	031502	CAPSCREW	1/4NC X 5/8	2
5	031753	WASHER	FLAT 1/4	2
6-1	039391	BRACKET	FILTER-PUMP-SOLENOID-BREAKER 63C-15 BTDB	1
6-2	039391	BRACKET	FILTER-PUMP-BREAKER 15 BTDA ELECTR GOVNR	1
7	031752	LOCKWASHER	1/4	2
8	031750	NUT	1/4NC	2
9	022513	ELBOW	INCLUDED WITH HOSE REF 10	1
10	040517	HOSE	LIFT PUMP TO FILTER 63C-15 BTDB	1
11	039275	PUMP	FUEL LIFT 12VDC	1
12	013340	ELBOW	1/8NPT STREET 90 BRASS	1
13	036588	CAPSCREW	M10 X 1.25 X 25 DIN 961	2
14	019262	LOCKWASHER	M10 DIN 127	2
15	031578	CAPSCREW	5/16NF X 3/4	2
16	031758	LOCKWASHER	5/16	2
17	024363	FILTER	FUEL	1
18	043156	O-RING	BLEED SCREW	1
19	043155	SCREW	BLEED	1
20	030139	BOLT	BANJO 63B	1
21	030291	WASHER	BANJO M14 63B	1
22	030290	WASHER	BANJO M12 63B	1
23	024549	FILTER	FUEL WITH PRIMING PUMP 63B-15 BTDA	1
24	038614	BRACKET	FUEL FILTER 63B	1
25	031764	LOCKWASHER	3/8	2
26	031630	CAPSCREW	3/8NF X 1	2
27	031750	NUT	1/4NC	2
28	031758	LOCKWASHER	5/16	1
29	031590	CAPSCREW	5/16NF X 3-1/2	1
30	033065	BRACKET	LIFT PUMP 63B	1
31	031632	CAPSCREW	3/8NF X 1-1/2	1
32	031764	LOCKWASHER	3/8	1
33	022513	ELBOW	INCLUDED WITH HOSE REF 40	1
34	039275	PUMP	FUEL LIFT 12VDC	1
35	031753	WASHER	FLAT 1/4	2
36	031502	CAPSCREW	1/4NC X 5/8	2
37	013340	ELBOW	1/8NPT STREET 90 BRASS	1
38	030025	HOSE	FUEL SUPPLY	1
39-1	038606	HOSE	LIFT PUMP TO FILTER 63B-15 BTDA MECH GOV	1
39-2	034489	HOSE	LIFT PUMP TO FILTER 15 BTDA ELECTR GOVNR	1
40	024363	FILTER	FUEL	1

WESTERBEKE 63B-63C - 15.0 BTDA/B - FUEL LIFT PUMP AND FILTER



WESTERBEKE 63B-63C FOUR - BACK END - MODEL HBW TRANSMISSION - MOUNTS

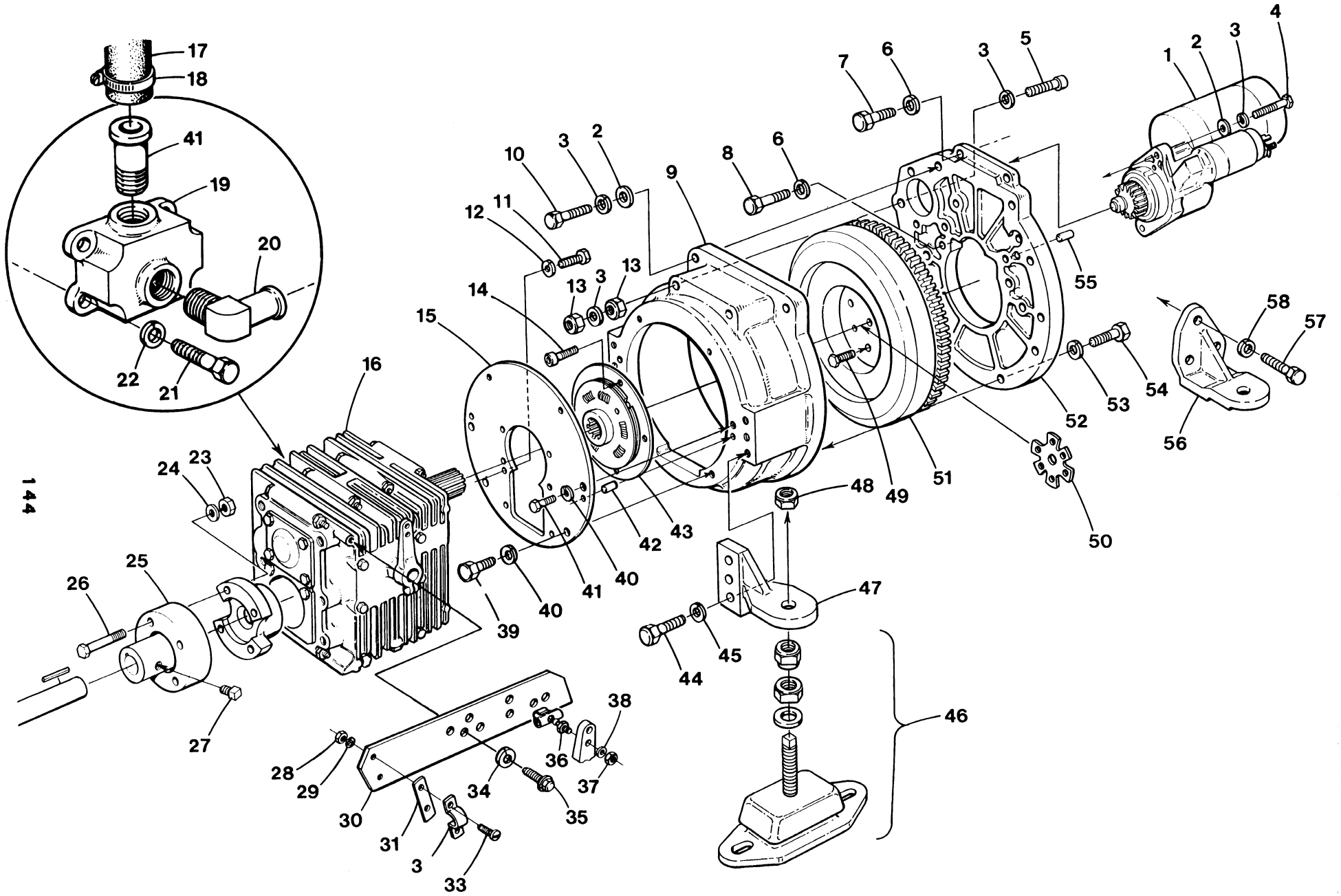
REF	PN	NAME	REMARKS	QUAN
1	030593	MOTOR	STARTER 12VDC	1
2	031789	WASHER	M10 DIN 125	4
3	019262	LOCKWASHER	M10 DIN 127	6
4-1	034589	CAPSCREW	M10 X 30 DIN 933 63B	2
4-2	034589	CAPSCREW	M10 X 30 DIN 933 63C	1
5-1	035307	CAPSCREW	M10 X 65 DIN 912 FULLY THREADED 63B	1
5-2	034833	CAPSCREW	M10 X 60 DIN 912 FULLY THREADED 63C	1
6	031764	LOCKWASHER	3/8	8
7	031630	CAPSCREW	3/8NF X 1	3
8	031631	CAPSCREW	3/8NF X 1-1/4	5
9	038294	HOUSING	FLYWHEEL	1
10	034470	CAPSCREW	M10 X 45 DIN 931	2
11	018813	CAPSCREW	M10 X 20 DIN 933	6
12	031790	LOCKWASHER	M10 DIN 137-B	6
13	015887	NUT	M10 DIN 934	2
14	024778	SCREW	DAMPER TO FLYWHEEL	5
15	038442	ADAPTER	HBW250 GEAR TO HOUSING	1
16-1	032564	GEAR	HBW250 1.5:1	1
16-2	032565	GEAR	HBW250 1.9:1	1
16-3	032566	GEAR	HBW250 2.7:1	1
17	011779	HOSE	1" ID WIRE INSERTED - INCHES REQUIRED	24
18	011405	CLAMP	HOSE 16	2
19	040036	COOLER	HBW TRANSMISSION	1
20	036614	ELBOW	3/4NPT X 1" HOSE	1
21	017196	CAPSCREW	M 8 X 20 DIN 933	4
22	031786	LOCKWASHER	M 8 DIN 127	4
23	024950	NUT	M10 X 1.25 DIN 934	4
24	019262	LOCKWASHER	M10 DIN 127	4
25-1	023706	COUPLING	HBW 0.75 IN BORE	1
25-2	023707	COUPLING	HBW 0.875 IN BORE	1
25-3	023708	COUPLING	HBW 1.0 IN BORE	1
25-4	023709	COUPLING	HBW 1.125 IN BORE	1
25-5	023710	COUPLING	HBW 1.25 IN BORE	1
25-6	023711	COUPLING	HBW 1.375 IN BORE	1
25-7	023712	COUPLING	HBW 1.5 IN BORE	1
26	031228	CAPSCREW	M10 X 1.25 X 30 DIN 961	4
27	023652	SETSCREW	COUPLING 3/8NC X 1	2
28	031847	NUT	10-32	2
29	031849	LOCKWASHER	10	2
30	032161	BRACKET	SHIFT CABLE	1
31	013870	SHIM	SHIFT CABLE	1
32	013325	CLAMP	SHIFT CABLE	1
33	031873	SCREW	10-32 X 5/8 SS	2
34	031786	LOCKWASHER	M 8 DIN 127	2
35	020650	CAPSCREW	M 8 X 18 DIN 933	2
36	033482	BALL JOINT	SHIFT CABLE	1
37	031754	NUT	1/4NF	1
38	031752	LOCKWASHER	1/4	1



146

WESTERBEKE 63B-63C - 15.0 BTDA/B - FUEL LIFT PUMP AND FILTER

REF	PN	NAME	REMARKS	QUAN
41-1	038607	HOSE	FILTER TO INJECTION PUMP 63B	1
41-2	035027	HOSE	FILTER TO INJ PUMP 15 BTDA ELECT GOVNR	1
42	030290	WASHER	BANJO M12	1
43	030291	WASHER	BANJO M14	1
44	030139	BOLT	BANJO	1
45	032868	SCREW	BLEED	1
46	032869	WASHER	BLEED SCREW	1
47	035827	GAUGE	FUEL PRESSURE 15 BTDA	1
48	030291	WASHER	BANJO M14	1
49	035963	BOLT	BANJO	1
50	038607	HOSE	FILTER TO INJ PUMP 15 BTDA MECH GOVNR	1
51	035964	BANJO	FUEL PRESSURE GAUGE 15 BTDA	1
52	030290	WASHER	BANJO M12	1
53	033721	PUMP	FUEL LIFT 24VDC WITH FILTER	1
54		HOSE	LIFT PUMP TO FILTER SEE REF 10 OR 39	1
55	022513	ELBOW	INCLUDED WITH HOSE	1
56	013340	ELBOW	1/8NPT STREET 90 BRASS	1
57	030025	HOSE	FUEL SUPPLY	1
58	033792	MAGNET	LIFT PUMP	1
59	030548	ELEMENT	LIFT PUMP FILTER INCLUDING GASKET	1
60	031506	CAPSCREW	1/4NC X 1-1/4	2
61	038795	BRACKET	LIFT PUMP & FILTER 15 BTDA	1
62	031764	LOCKWASHER	3/8	1
63	031630	CAPSCREW	3/8NF X 1	1

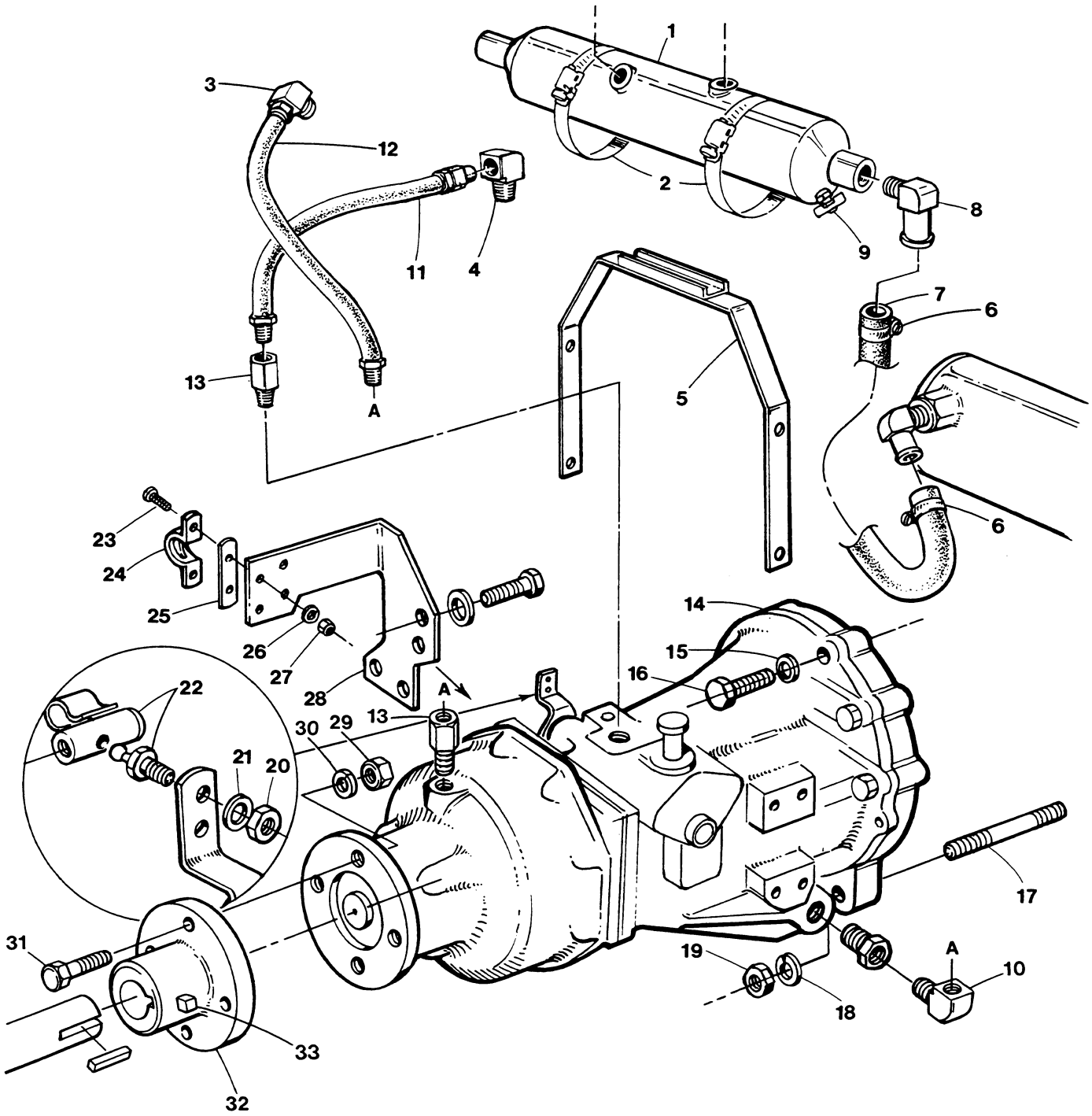


144

WESTERBEKE 63B-63C FOUR - BACK END - MODEL HBW TRANSMISSION - MOUNTS

REF	PN	NAME	REMARKS	QUAN
39	013629	CAPSCREW	M10 X 25 DIN 933	6
40	019262	LOCKWASHER	M10 DIN 127	6
41	036622	NIPPLE	3/4NPT X 1" HOSE	1
42	013919	DOWEL	ADAPTER TO HOUSING	2
43	011618	DAMPER	HBW250 & WARNER HYDRAULIC TRANSMISSIONS	1
44	034589	CAPSCREW	M10 X 30 DIN 933	6
45	019262	LOCKWASHER	M10 DIN 127	6
46-1	036334	ISOLATOR	TO 1/95	4
46-2	040513	ISOLATOR	FROM 1/95	4
47-1	038528	MOUNT	REAR 18 IN	2
47-2	041715	MOUNT	REAR 18.5 IN	2
48-1	036338	NUT	M16 DIN 985 ISOLATOR 36334	4
48-2	040966	NUT	M16 JAM LOCKING ISOLATOR 40513	8
49	024411	BOLT	FLYWHEEL	6
50	031166	TABWASHER		1
51-1	038008	FLYWHEEL	INCLUDING RING GEAR	1
51-2	037735	GEAR	RING	1
52	038006	BACKPLATE		1
53	019262	LOCKWASHER	M10 DIN 127	5
54-1	034470	CAPSCREW	M10 X 45 DIN 931 63B	5
54-2	034590	CAPSCREW	M10 X 40 DIN 931 63C	6
55	019039	DOWEL	BACKPLATE TO BLOCK	2
56-1	038574	MOUNT	FRONT RIGHT 18 IN	1
56-2	041717	MOUNT	FRONT RIGHT 18.5 IN	1
57	031681	CAPSCREW	7/16NF X 1-1/4	3
58	031770	LOCKWASHER	7/16	3

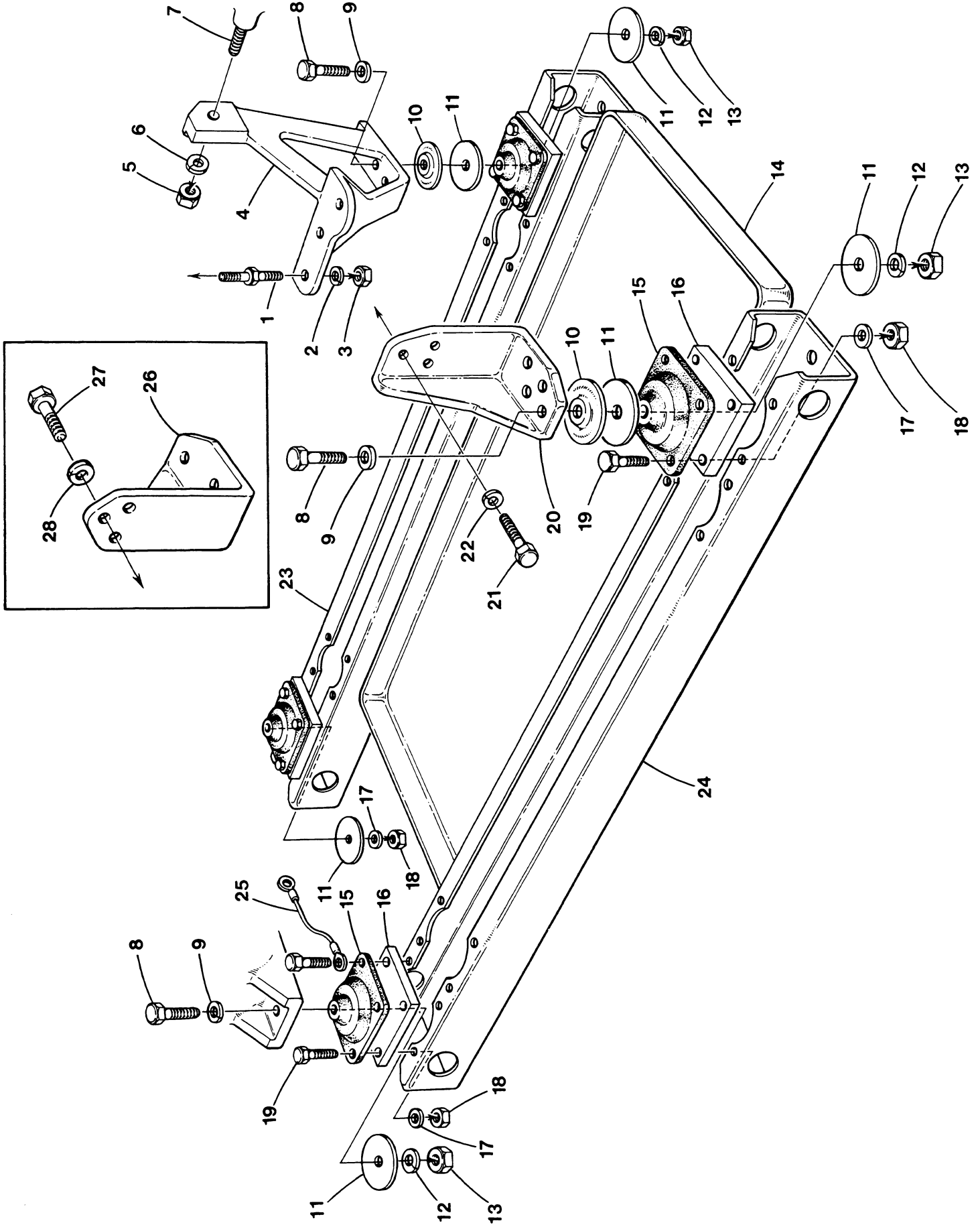
WESTERBEKE 63B-63C FOUR - WARNER 71C TRANSMISSION



WESTERBEKE 63B-63C FOUR - WARNER 71C TRANSMISSION

REF	PN	NAME	REMARKS	QUAN
1	036650	COOLER	OIL	1
2	011411	CLAMP	HOSE 32 - MOUNT COOLER TO BRACKET	2
3	013330	ELBOW	COOLER TO HOSE	1
4	013338	ELBOW	3/8NPT BRASS STREET 90	1
5	013057	BRACKET	COOLER MOUNT TO TRANSMISSION	1
6	011405	CLAMP	HOSE 16	2
7	011779	HOSE	1" ID WIRE INSERTED - INCHES REQUIRED	16
8	036614	ELBOW	3/4NPT X 1" HOSE	2
9	011471	PETCOCK	1/8NPT	1
10	013330	ELBOW	HOSE TO TRANSMISSION EXCEPT 2:1	1
11	011921	HOSE	OIL	1
12-1	022114	HOSE	OIL - 1:1 AND 2:1 TRANSMISSION	1
12-2	023567	HOSE	OIL - REDUCTION TRANSMISSION EXCEPT 2:1	1
13-1	013348	CONNECTOR	HOSE TO TRANSMISSION EXCEPT 2:1	1
13-2	013348	CONNECTOR	HOSE TO 2:1 TRANSMISSION	2
14-1	011630	GEAR	HYDRAULIC 1:1	1
14-2	011631	GEAR	HYDRAULIC 1.5:1	1
14-3	037297	GEAR	HYDRAULIC 1.9:1 OPPOSITE ROTATION	1
14-4	011632	GEAR	HYDRAULIC 2:1	1
14-5	011633	GEAR	HYDRAULIC 2.5:1	1
14-6	011634	GEAR	HYDRAULIC 3:1	1
15	019262	LOCKWASHER	M10 DIN 127	4
16	035003	CAPSCREW	M10 X 80 DIN 931	4
17	035004	STUD	M10 X 70 DIN 939	2
18	019262	LOCKWASHER	M10 DIN 127	2
19	015887	NUT	M10 DIN 934	2
20	031754	NUT	1/4NF	1
21	031752	LOCKWASHER	1/4	1
22	033482	BALL JOINT	SHIFT CABLE	1
23	031873	SCREW	10-32 X 5/8 SS	2
24	013325	CLAMP	CABLE	1
25	013870	SHIM	CABLE	1
26	031849	LOCKWASHER	10	2
27	031847	NUT	10-32	2
28	032315	BRACKET	SHIFT CABLE	1
29	031768	NUT	7/16NC	4
30	031770	LOCKWASHER	7/16	4
31	031655	CAPSCREW	7/16NC X 1	4
32- 1	023706	COUPLING	DIRECT DRIVE 0.75 IN BORE	1
32- 2	023707	COUPLING	DIRECT DRIVE 0.875 IN BORE	1
32- 3	023708	COUPLING	DIRECT DRIVE 1.0 IN BORE	1
32- 4	023709	COUPLING	DIRECT DRIVE 1.125 IN BORE	1
32- 5	023710	COUPLING	DIRECT DRIVE 1.25 IN BORE	1
32- 6	023711	COUPLING	DIRECT DRIVE 1.375 IN BORE	1
32- 7	023712	COUPLING	DIRECT DRIVE 1.5 IN BORE	1
32- 8	011961	COUPLING	REDUCTION 1.0 IN BORE	1
32- 9	011962	COUPLING	REDUCTION 1.125 IN BORE	1
32-10	011963	COUPLING	REDUCTION 1.25 IN BORE	1
32-11	011964	COUPLING	REDUCTION 1.375 IN BORE	1
32-12	023609	COUPLING	REDUCTION 1.5 IN BORE	1
32-13	039323	COUPLING	REDUCTION 1.75 IN BORE	1
33-1	023652	SETSCREW	COUPLING 3/8NC X 1	2
33-2	023653	SETSCREW	COUPLING 3/8NC X 1-1/4	2

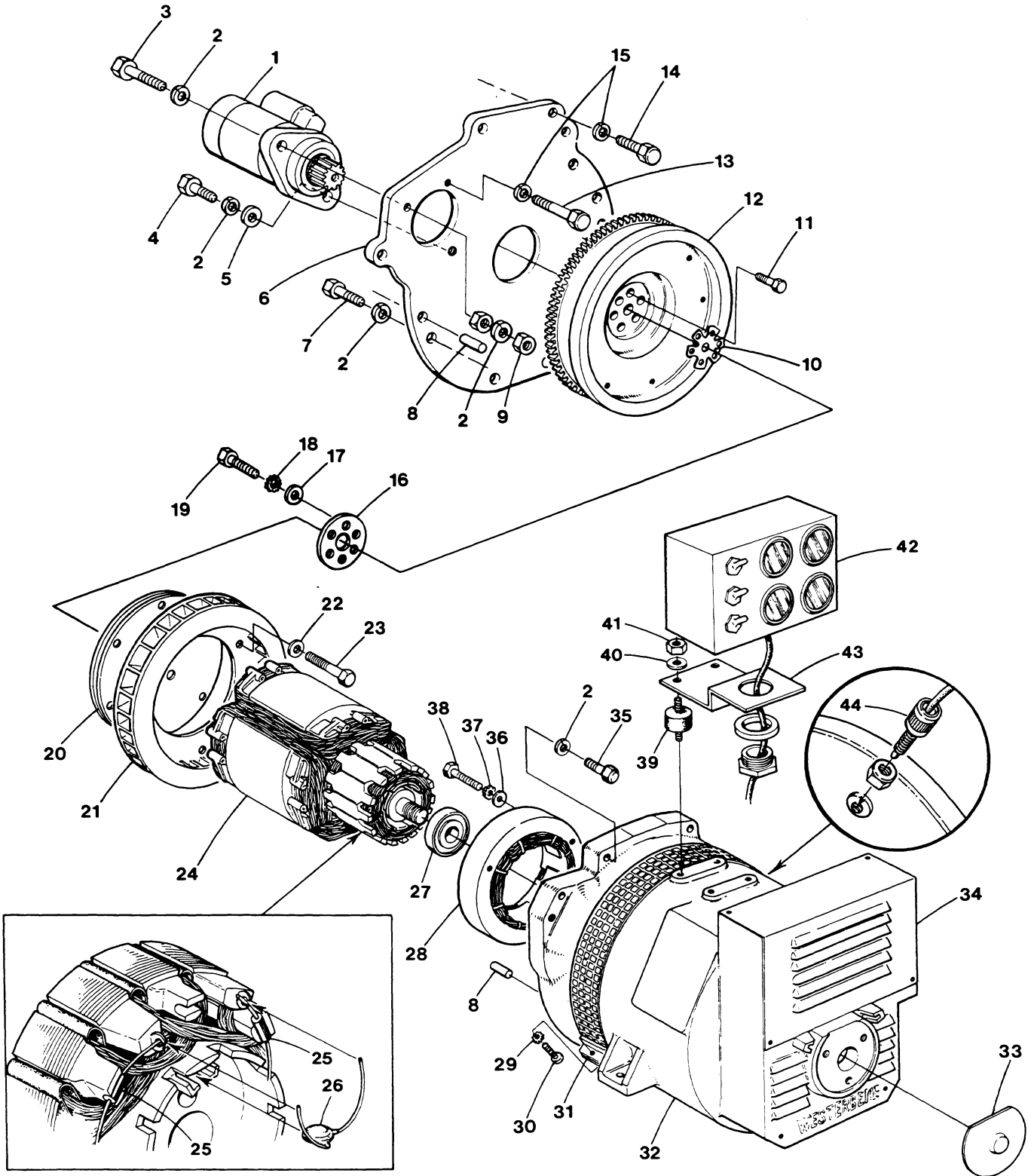
WESTERBEKE 15.0 BTDA/B - MOUNTING SYSTEM



WESTERBEKE 15.0 BTDA/B - MOUNTING SYSTEM

REF	PN	NAME	REMARKS	QUAN
1	038515	STUD	FRONT LEFT MOUNT 15 BTDA	3
2	031758	LOCKWASHER	5/16 15 BTDA	3
3	031760	NUT	5/16NF 15 BTDA	3
4	038518	MOUNT	FRONT LEFT 15 BTDA	1
5	031760	NUT	5/16NF 15 BTDA	2
6	031758	LOCKWASHER	5/16 15 BTDA	2
7	031588	CAPSCREW	5/16NF X 3 15 BTDA	2
8	031713	CAPSCREW	1/2NC X 3	4
9	031777	WASHER	FLAT 1/2	4
10	033530	SHIELD	ISOLATOR	2
11	024674	WASHER	ISOLATOR SNUBBING	8
12	031776	LOCKWASHER	1/2	4
13	031774	NUT	1/2NC	4
14	038698	DRIPTRAY		1
15	015238	ISOLATOR		4
16	038696	SPACER	ISOLATOR TO RAIL	4
17	031758	LOCKWASHER	5/16	16
18	031756	NUT	5/16NC	16
19	031558	CAPSCREW	5/16NC X 1-3/4	16
20	037788	MOUNT	FRONT RIGHT	1
21	031681	CAPSCREW	7/16NF X 1-1/4	3
22	031770	LOCKWASHER	7/16	3
23	038762	RAIL	ASSEMBLY LEFT INCLUDING ISOLATORS	1
24	038763	RAIL	ASSEMBLY RIGHT INCL ISOLATRS & GND STRAP	1
25	034593	STRAP	GROUND	1
26	041026	MOUNT	FRONT LEFT 15 BTDB	1
27	031681	CAPSCREW	7/16NF X 1-1/4	3
28-1	031770	LOCKWASHER	7/16	3
28-2	031771	WASHER	FLAT 7/16	3

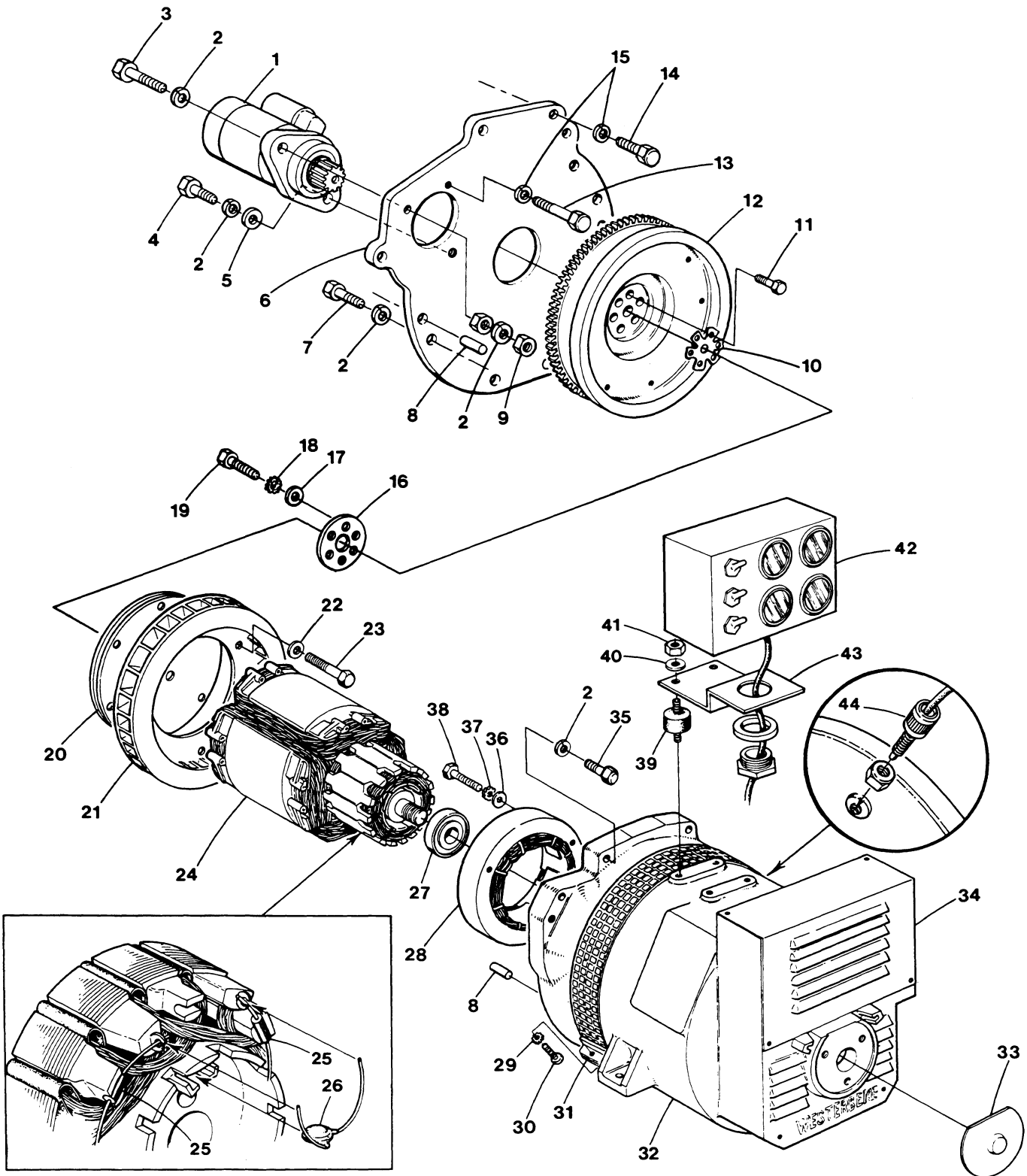
WESTERBEKE 15.0 BTDA/B - BACK END - GENERATOR



WESTERBEKE 15.0 BTDA/B - BACK END - GENERATOR

REF	PN	NAME	REMARKS	QUAN
1-1	030593	MOTOR	STARTER 12VDC	1
1-2	042111	MOTOR	STARTER 24VDC	1
2	019262	LOCKWASHER	M10 DIN 127	11
3	034833	CAPSCREW	M10 X 60 DIN 912 FULLY THREADED	1
4	034589	CAPSCREW	M10 X 30 DIN 933	1
5	031789	WASHER	M10 DIN 125	4
6	038006	BACKPLATE		1
7	031926	CAPSCREW	M10 X 35 DIN 933	6
8	019039	DOWEL	BACKPLATE TO HOUSING	2
9	015887	NUT	M10 DIN 934	2
10	031166	TABWASHER	FLYWHEEL	1
11	024411	BOLT	FLYWHEEL	6
12-1	038008	FLYWHEEL	INCLUDING RING GEAR	1
12-2	037735	GEAR	RING	1
13	031631	CAPSCREW	3/8NF X 1-1/4	5
14	031630	CAPSCREW	3/8NF X 1	3
15	031764	LOCKWASHER	3/8	8
16	035928	PLATE	THRUST-DRIVE DISC TO ARMATURE	1
17	031789	WASHER	M10 DIN 125	6
18	031915	LOCKWASHER	M10 DIN 6797A	6
19	013629	CAPSCREW	M10 X 25 DIN 933	6
20	035927	PLATE	DRIVE DISC	3
21	035929	FAN		1
22	031835	LOCKWASHER	M 8 DIN 6797J	8
23	017196	CAPSCREW	M 8 X 20 DIN 933	8
24-1	037468	ARMATURE	1 PHASE	1
24-2	039342	ARMATURE	3 PHASE TO S/N 499	1
24-3	039908	ARMATURE	3 PHASE FROM S/N 500	1
25	035943	RESISTOR	POSI	1
26	035931	DIODE		6
27	037460	BEARING	BALL	1
28-1	037467	STATOR	EXCITER 1 PHASE	1
28-2	039340	STATOR	EXCITER 3 PHASE TO S/N 499	1
28-3	039912	STATOR	EXCITER 3 PHASE FROM S/N 500	1
29	031914	LOCKWASHER	M 5 DIN 6797A	1
30	031920	SCREW	M 5 X 20 DIN 84A	1
31	035935	GUARD	AIR	1

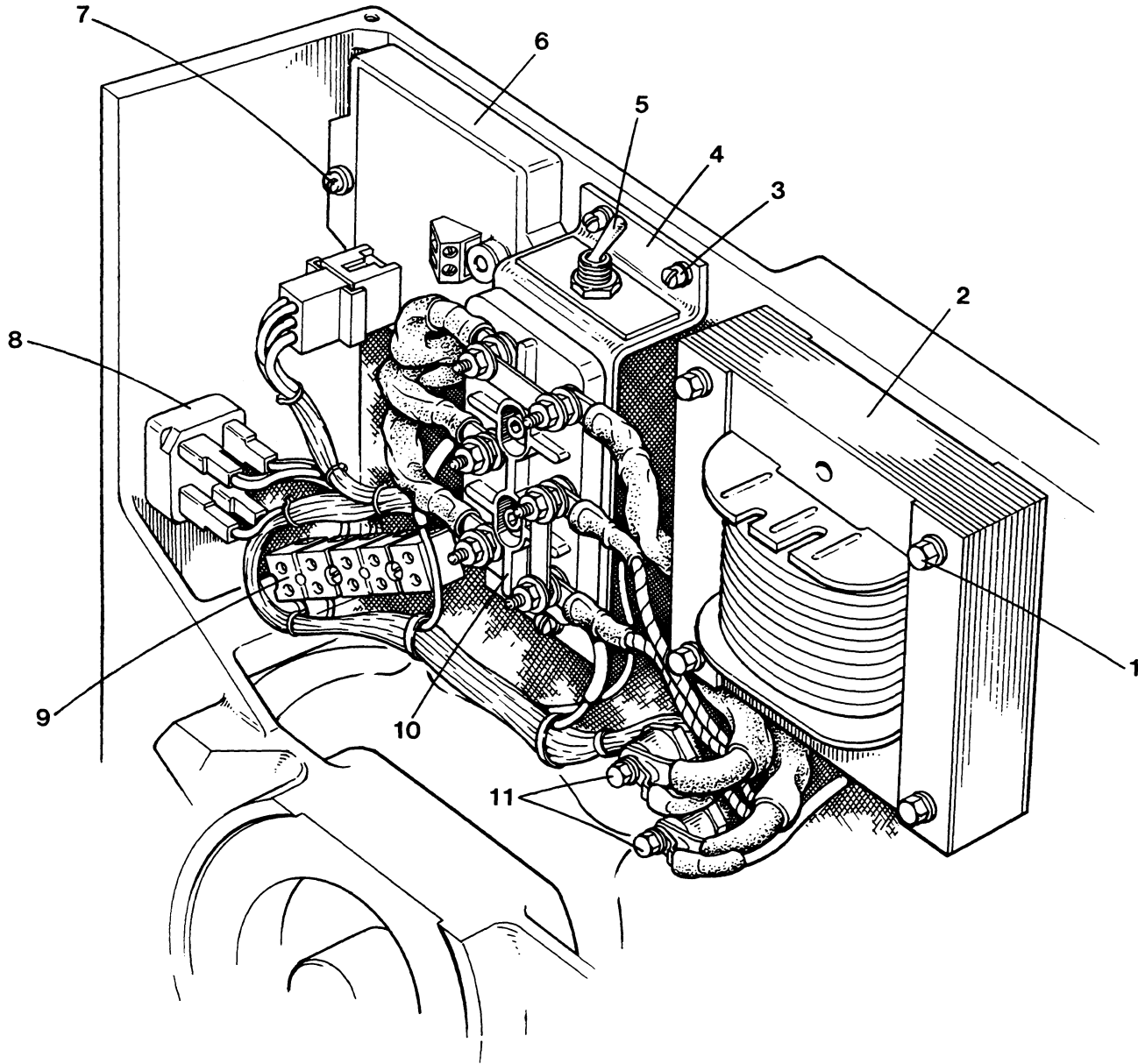
WESTERBEKE 15.0 BTDA/B - BACK END - GENERATOR



WESTERBEKE 15.0 BTDA/B - BACK END - GENERATOR

REF	PN	NAME	REMARKS	QUAN
32-1	037430	GENERATOR	1 PHASE	1
32-2	037469	STATOR	INCLUDING HOUSING 1 PHASE	1
32-3	037470	STATOR	1 PHASE	1
32-4	039913	GENERATOR	3 PHASE	1
32-5	039911	STATOR	INCLUDING HOUSING 3 PHASE	1
32-6	038466	STATOR	3 PHASE TO S/N 499	1
32-7	039910	STATOR	3 PHASE FROM S/N 500	1
33	036701	COVER	PTO INTERFACE	1
34	037851	COVER		1
35	034470	CAPSCREW	M10 X 45 DIN 931	2
36	031781	WASHER	M 5 DIN 125	3
37	031914	LOCKWASHER	M 5 DIN 6797A	3
38	031919	CAPSCREW	M 5 X 35 DIN 912	3
39	036652	ISOLATOR	PANEL MOUNTING	4
40	031783	LOCKWASHER	M 6 DIN 127	4
41	015812	NUT	M 6 DIN 934	4
42		PANEL	REFER TO PANEL PAGE	1
43	036465	BRACKET	PANEL MOUNTING INCLUDED IN REF 42	1
44	039172	SENDER	MAGNETIC	1

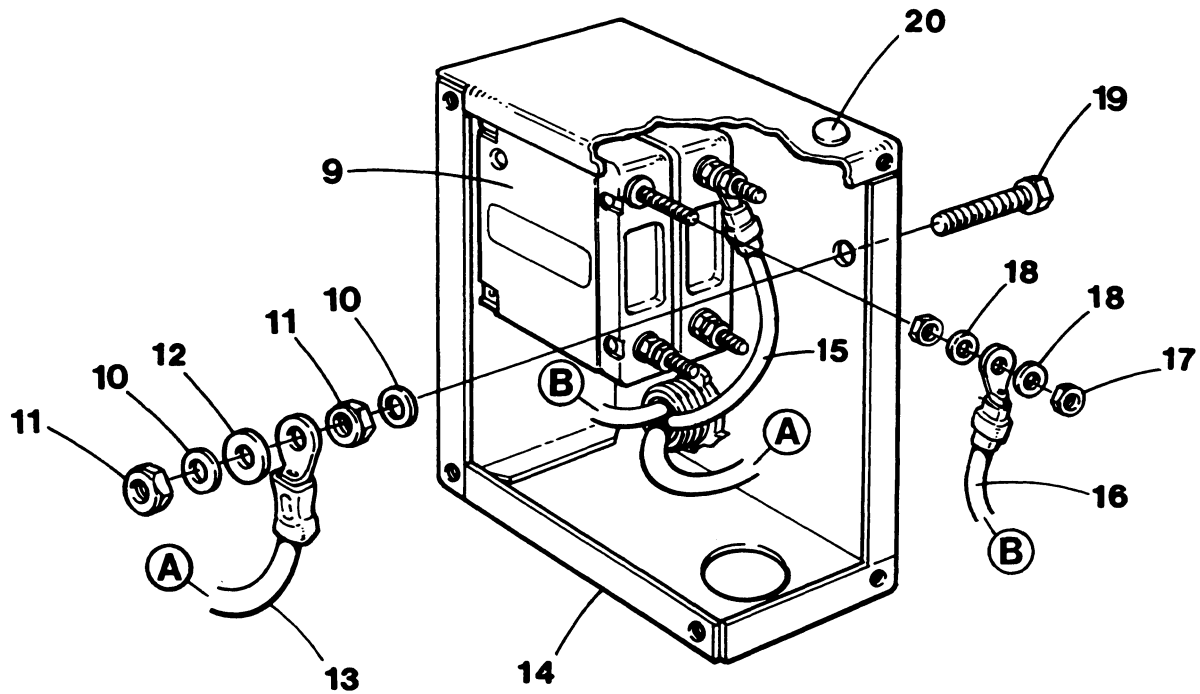
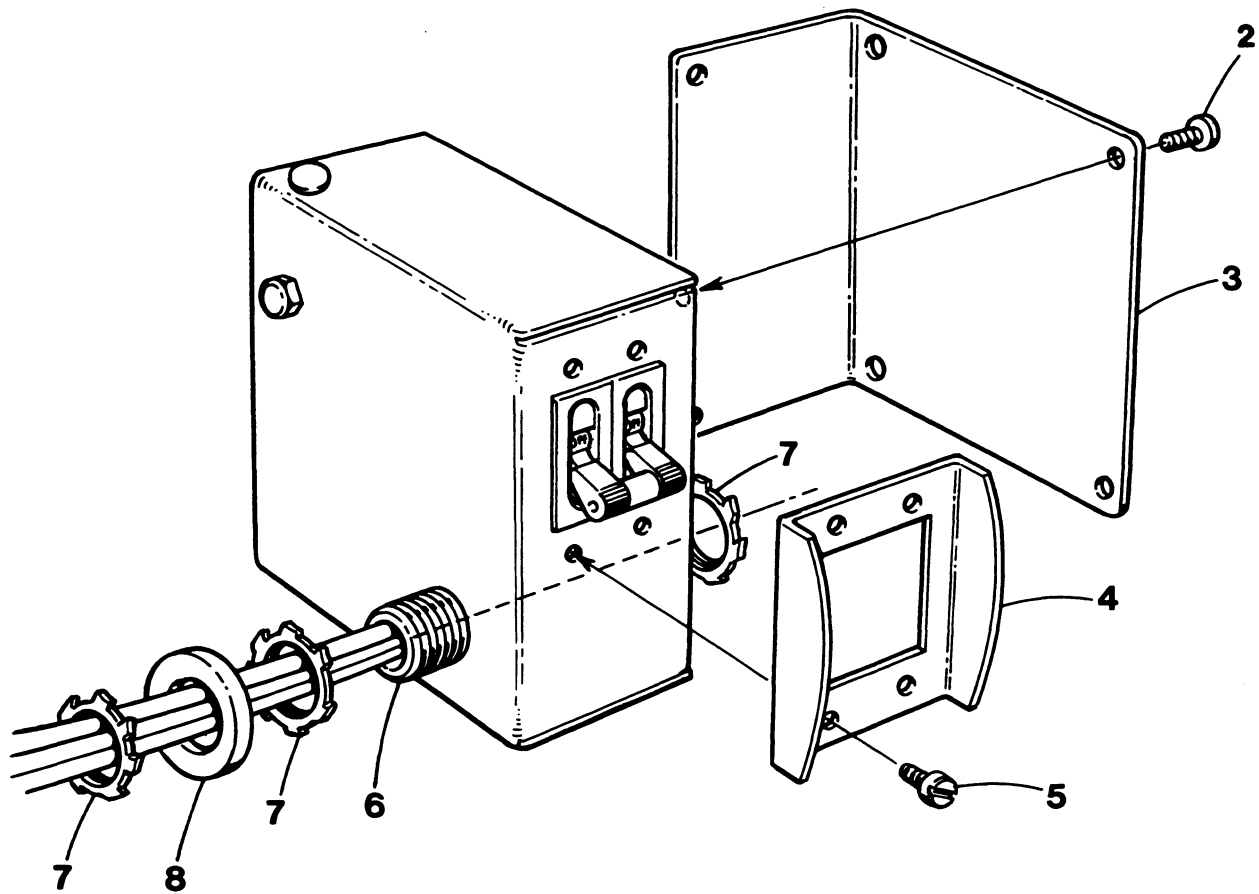
WESTERBEKE 15.0 BTDA/B - AC OUTPUT AND REGULATOR 1 PHASE



WESTERBEKE 15.0 BTDA/B - AC OUTPUT AND REGULATOR 1 PHASE

REF	PN	NAME	REMARKS	QUAN
1-1	031916	CAPSCREW	M 5 X 50 DIN 933	4
1-2	031914	LOCKWASHER	M 5 DIN 6797A	4
1-3	031781	WASHER	M 5 DIN 125	4
2	037463	TRANSFORMR	VOLTAGE REGULATION	1
3-1	031918	SCREW	M 5 X 10 DIN 84A	2
3-2	031914	LOCKWASHER	M 5 DIN 6797A	2
4	038345	BRACKET		1
5	038346	SWITCH	REGULATION SELECTION	1
6	034410	REGULATOR	ELECTRONIC VOLTAGE - OPTIONAL	1
7-1	031917	LOCKWASHER	M 4 DIN 6797A	2
7-2	031934	SCREW	M 4 X 20 DIN 84A	2
8-1	030809	RECTIFIER	BRIDGE	1
8-2	031931	SCREW	M 5 X 15 DIN 84A	1
8-3	031914	LOCKWASHER	M 5 DIN 6797A	1
9	038347	BLOCK	TERMINAL 5 POLE	1
10-1	038342	BLOCK	TERMINAL AC OUTPUT	1
10-2	038343	NUT	M 6 BRASS	AR
10-3	038344	BAR	BUSS	AR
11	035980	TERMINAL	INSULATED	2
12	036737	CONNECTOR	BOX 1-1/2 - AC OUTPUT LEADS	1
13	036702	LABEL	AC OUTPUT CONNECTIONS	1

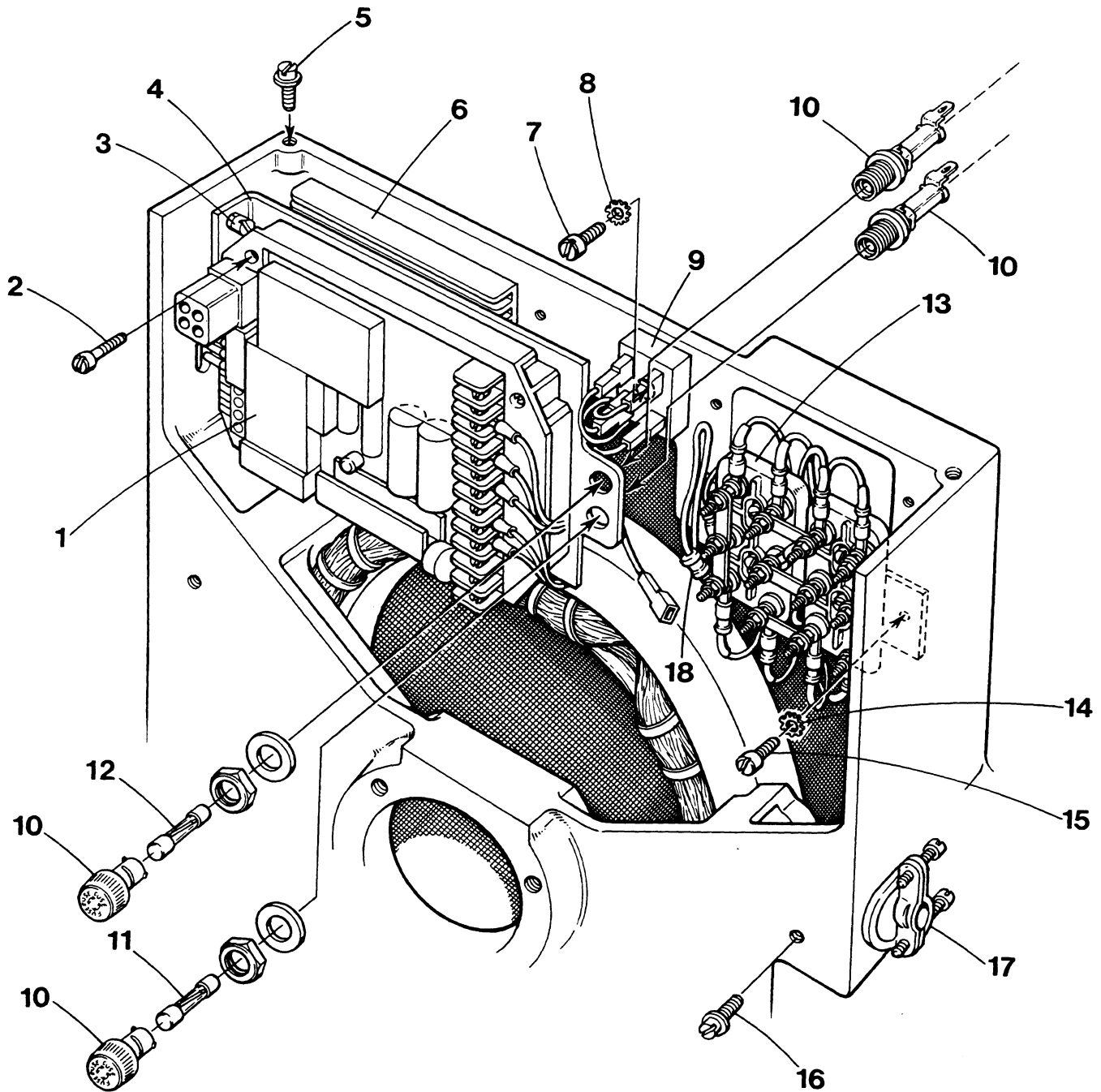
WESTERBEKE 15.0 BTDA/B - AC OUTPUT 1 PHASE CIRCUIT BREAKER



WESTERBEKE 15.0 BTDA/B - AC OUTPUT 1 PHASE CIRCUIT BREAKER

REF	PN	NAME	REMARKS	QUAN
2	031891	SCREW	8-32 X 3/8 TRUSS HEAD SS	6
3	038371	COVER	BOX	1
4	039082	GUARD	CIRCUIT BREAKER HANDLE	1
5	031852	SCREW	6-32 X 1/4 BINDING HEAD SS	4
6	038525	NIPPLE	1-1/4 NPT BRASS	1
7	038524	NUT	1-1/4 NPT	3
9-1	042710	BREAKER	CIRCUIT 70 AMP 60 HZ 2 POLE	1
9-2	042709	BREAKER	CIRCUIT 60 AMP 50 HZ 2 POLE	1
10	032493	LOCKWASHER	1/4 INTERNAL TOOTH BRONZE	2
11	032498	NUT	1/4NC HEX BRASS	2
12	032499	WASHER	FLAT 1/4 BRASS	2
13	038650	WIRE	WHITE 60 HZ	1
14	038370	BOX	CIRCUIT BREAKER	1
15-1	038643	WIRE	BLACK 60 HZ	1
15-2	042626	WIRE	BLACK 50 HZ	1
16-1	038643	WIRE	BLACK 60 HZ	1
16-2	038934	WIRE	WHITE 50 HZ	1
17	032498	NUT	1/4NC HEX BRASS	4
18	032499	WASHER	FLAT 1/4 BRASS	8
19	038622	CAPSCREW	1/4NC X 1 BRONZE FULLY THREADED	1
21	042719	DIAGRAM	AC OUTPUT & CIRCUIT BREAKER WIRING	1

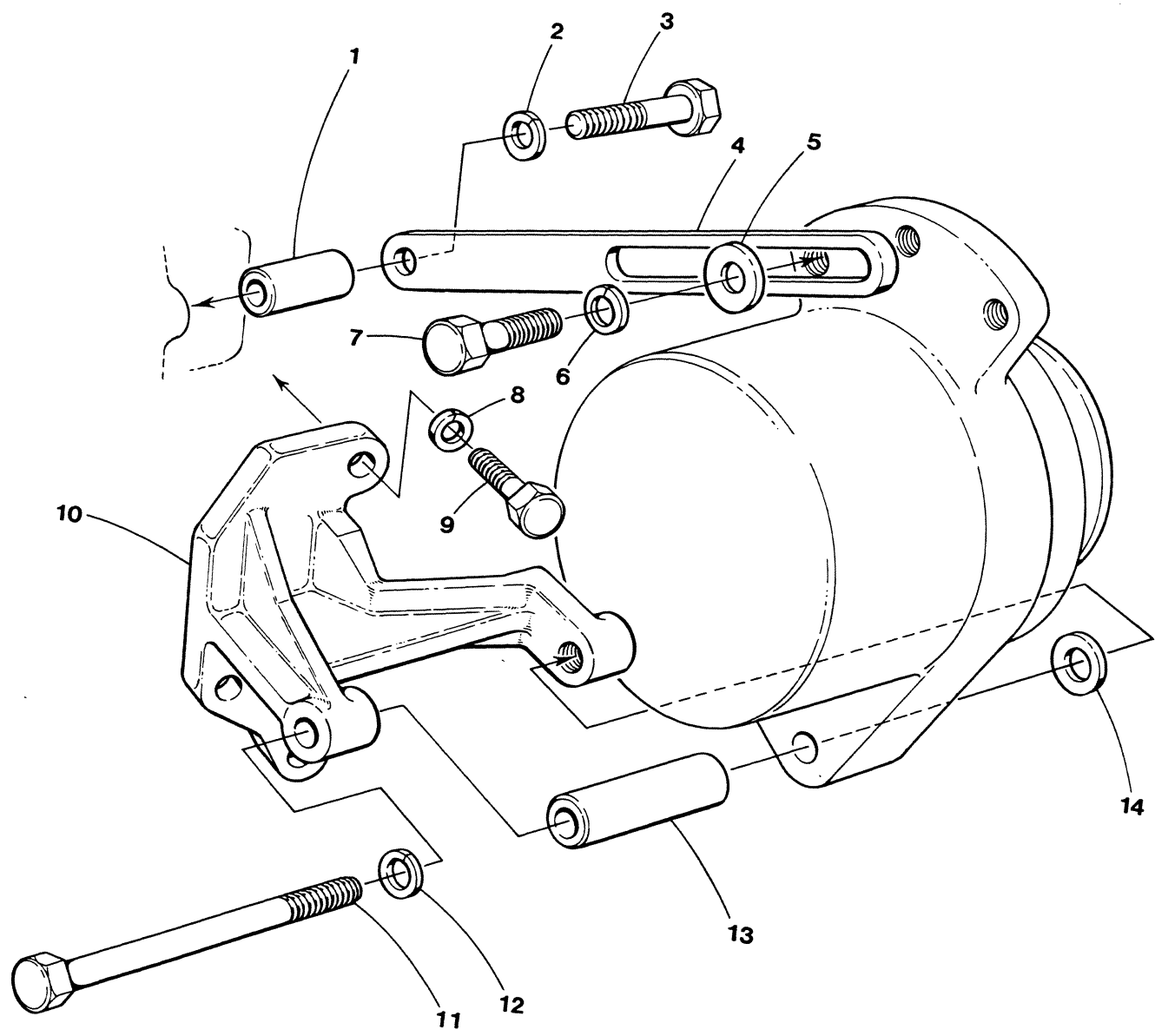
WESTERBEKE 15.0 BTDA/B - AC OUTPUT AND REGULATOR 3 PHASE



WESTERBEKE 15.0 BTDA/B - AC OUTPUT AND REGULATOR 3 PHASE

REF	PN	NAME	REMARKS	QUAN
1	038468	REGULATOR	ELECTRONIC VOLTAGE	1
2	031934	SCREW	M 4 X 20 DIN 84A	2
3	031918	SCREW	M 5 X 10 DIN 84A	2
4	038470	BRACKET	REGULATOR	1
5	031918	SCREW	M 5 X 10 DIN 84A	2
6	038469	CHARGER	BATTERY	1
7	031920	SCREW	M 5 X 20 DIN 84A	1
8	031914	LOCKWASHER	M 5 DIN 6797A	1
9	030809	RECTIFIER	BRIDGE	1
10	038472	HOLDER	FUSE	2
11	038471	FUSE	20 AMP	1
12	033769	FUSE	8 AMP	1
13-1	038464	BLOCK	TERMINAL AC OUTPUT	1
13-2	038348	NUT	M 5 BRASS	AR
13-3	038349	BAR	BUSS	AR
14	031914	LOCKWASHER	M 5 DIN 6797A	2
15	031920	SCREW	M 5 X 20 DIN 84A	2
16	015816	CAPSCREW	M 6 X 10 DIN 933	2
17	036737	CONNECTOR	BOX 1-1/2 - AC OUTPUT LEADS	1
18	038676	LABEL	AC OUTPUT CONNECTIONS 3 PHASE	1
19	039341	BRACKET	AC TERMINAL BLOCK	1

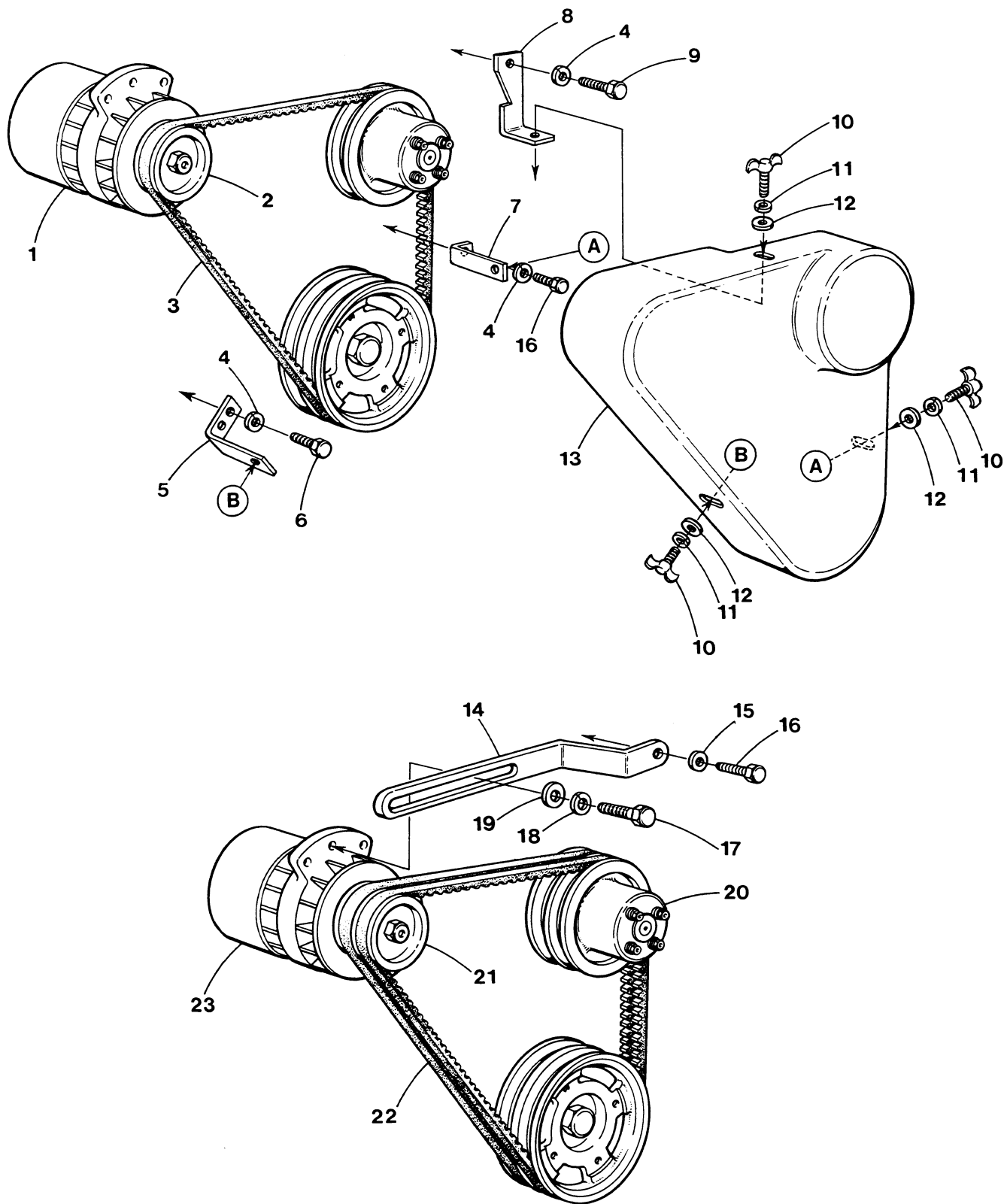
WESTERBEKE 63B-63C FOUR - 15.0 BTDA/B - ALTERNATOR MOUNT



WESTERBEKE 63B-63C FOUR - 15.0 BTDA/B - ALTERNATOR MOUNT

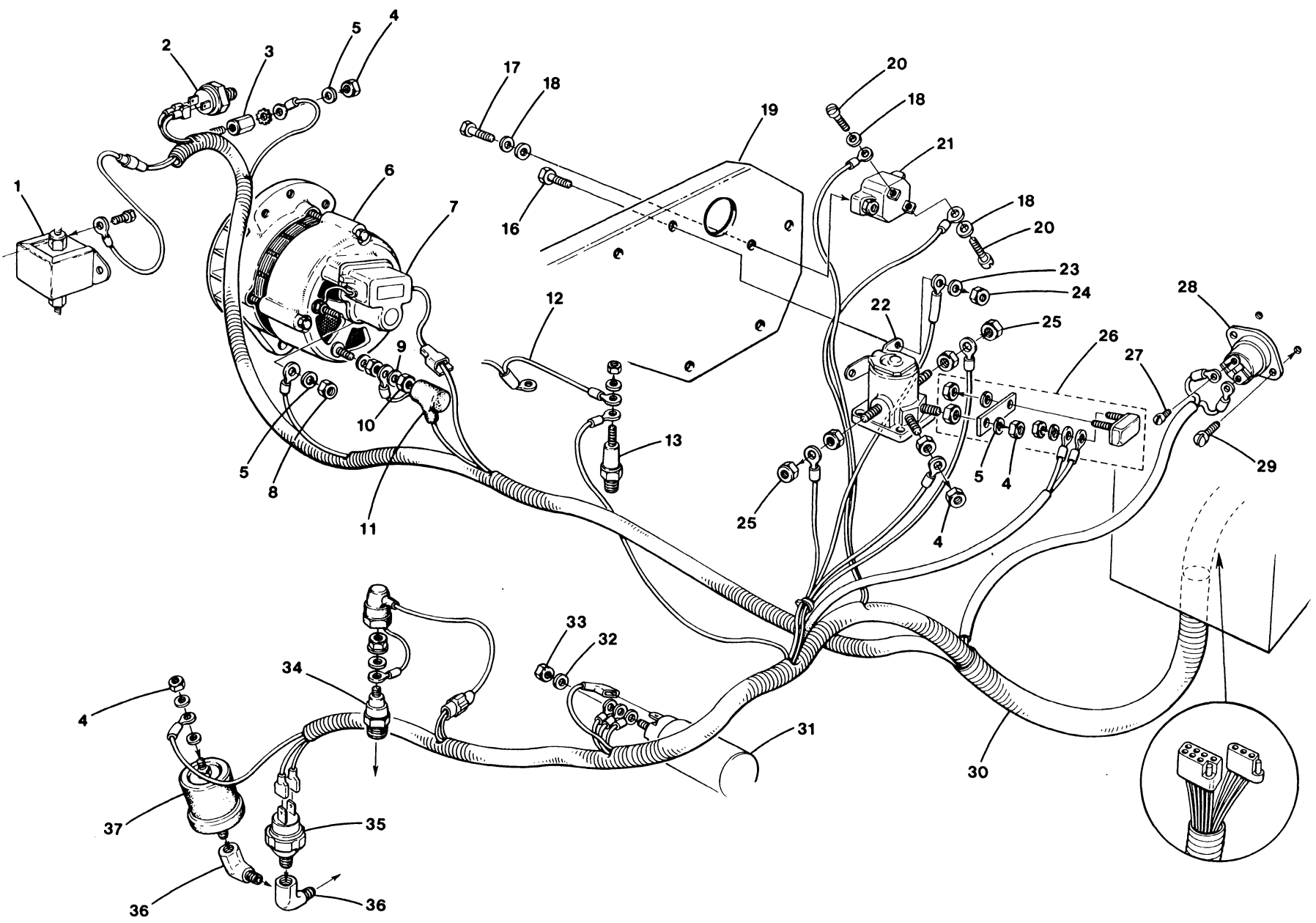
REF	PN	NAME	REMARKS	QUAN
1	031318	SPACER		1
2	031758	LOCKWASHER	5/16	1
3	031585	CAPSCREW	5/16NF X 2-1/4	1
4	033064	STRAP	51-90 AMP ALTERNATOR ADJUSTING	1
5	033381	WASHER	ADJUSTING STRAP	1
6	031758	LOCKWASHER	5/16	1
7	031555	CAPSCREW	5/16NC X 1 - 51-90 AMP ALTERNATOR	1
8	031764	LOCKWASHER	3/8	3
9	031631	CAPSCREW	3/8NF X 1-1/4	3
10-1	030128	BRACKET	ALTERNATOR 51 AMP	1
10-2	031170	BRACKET	ALTERNATOR 90-190 AMP	1
11-1	031722	CAPSCREW	1/2NC X 5-1/4 BRACKET 030128	1
11-2	031622	CAPSCREW	3/8NC X 5-1/4 BRACKET 031170	1
12-1	031776	LOCKWASHER	1/2	1
12-2	031764	LOCKWASHER	3/8	1
13-1	030182	SPACER	51 AMP	1
13-2	031169	SPACER	90 AMP	1
13-3	030737	SPACER	135 AMP	1
13-4	024735	SPACER	160-190 AMP	1
14-1	030168	SPACER	51 AMP	1
14-2	023413	SPACER	135 AMP	1

WESTERBEKE 63B/C FOUR-15.0 BTDA/B - BELTS - ALTERNATORS - BELT GUARDS



WESTERBEKE 63B/C FOUR-15.0 BTDA/B - BELTS - ALTERNATORS - BELT GUARDS

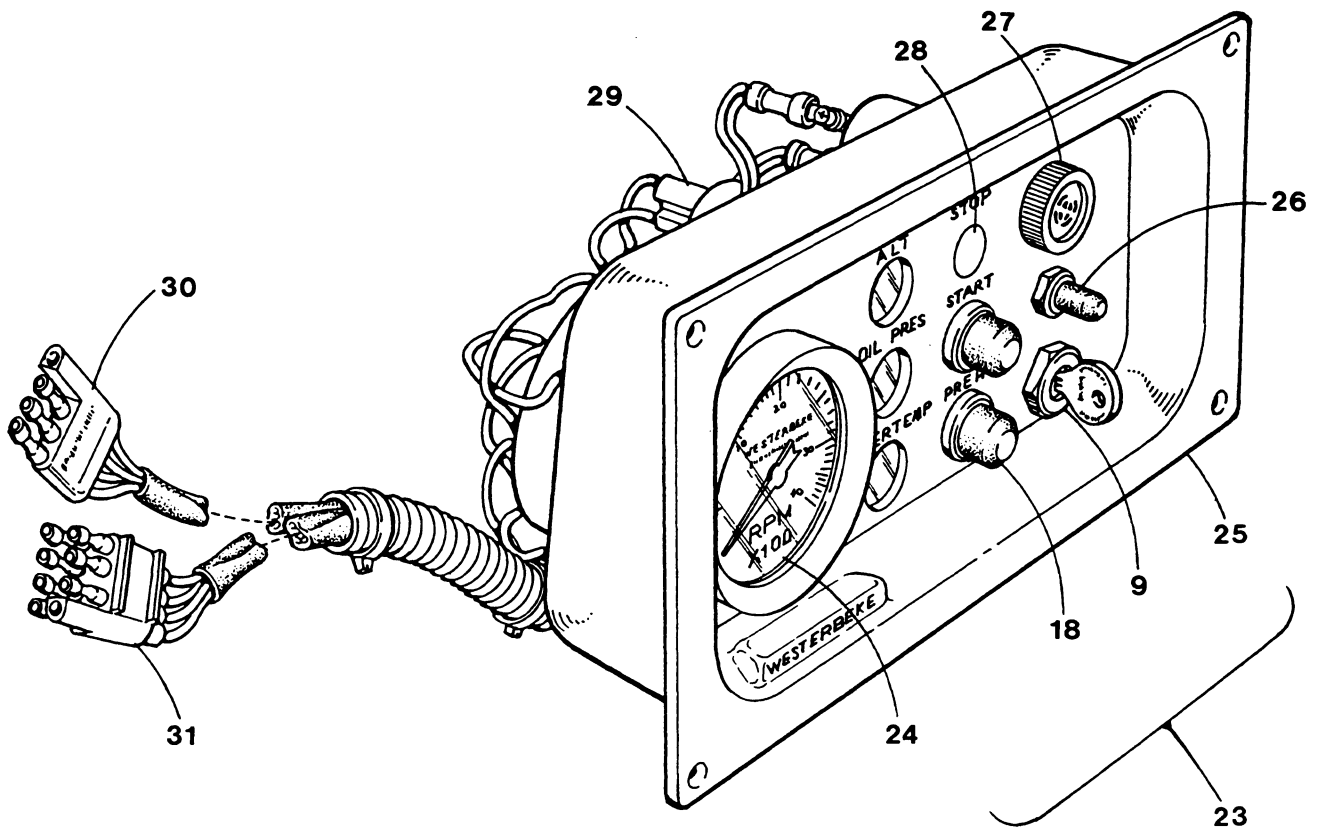
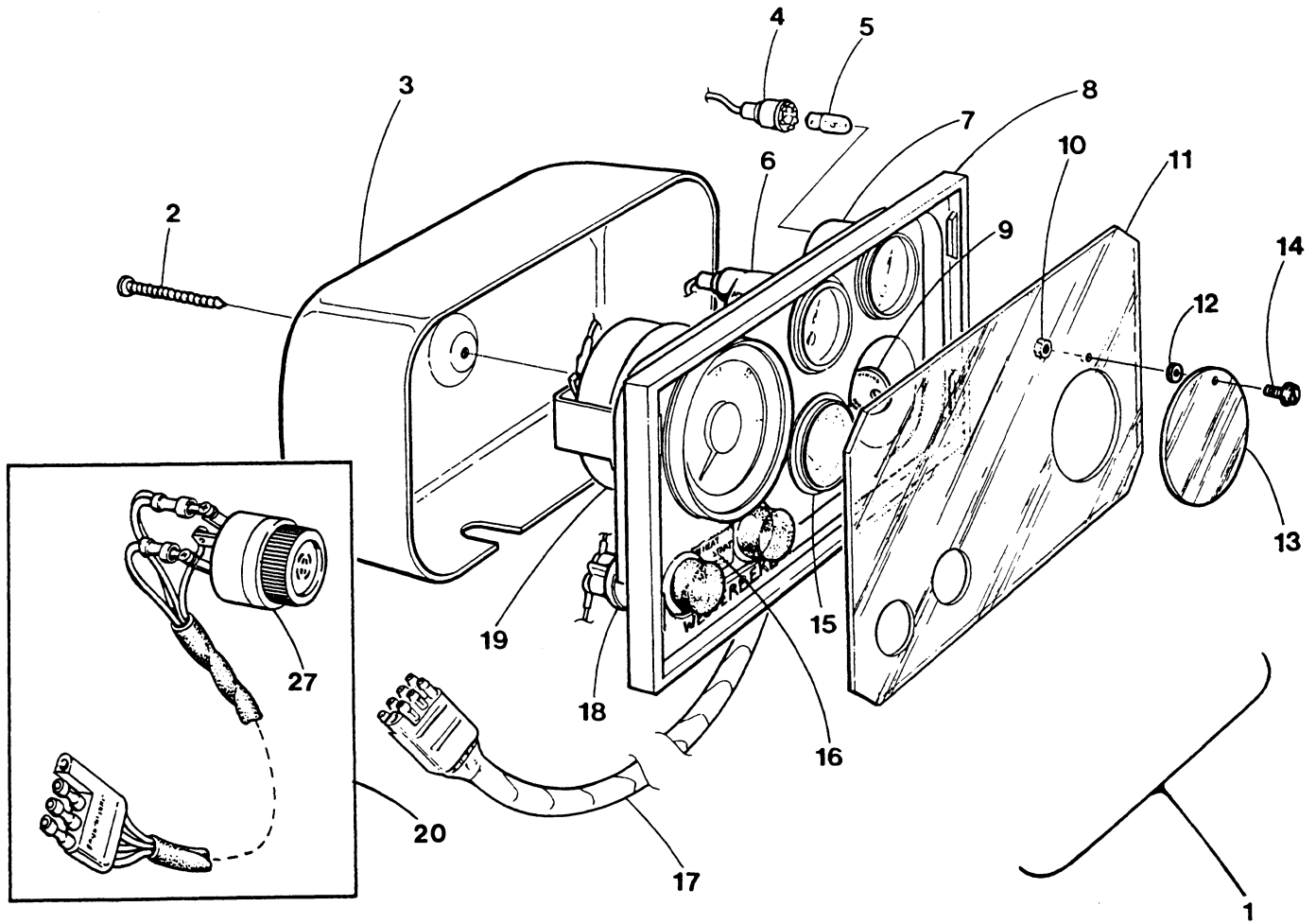
REF	PN	NAME	REMARKS	QUAN
1-1	024684	ALTERNATOR	51 AMP 12VDC W/REGULATOR TO 8/91	1
1-2	039790	ALTERNATOR	50 AMP 12VDC W/REGULATOR INCL REF 2	1
1-3	038530	ALTERNATOR	42 AMP 24VDC W/REGULATOR	1
2-1	011548	PULLEY	ALTERNATOR 24684 & 38530	1
2-2	039354	PULLEY	ALTERNATOR 39790	1
3	011672	BELT		1
4	031758	LOCKWASHER	5/16	3
5	033226	BRACKET	BELT GUARD	1
6	031586	CAPSCREW	5/16NF X 2-1/2	1
7	033227	BRACKET	BELT GUARD	1
8	033229	BRACKET	BELT GUARD	1
9	031590	CAPSCREW	5/16NF X 3-1/2	1
10	033228	WINGSCREW	10-32 X 1/2	3
11	031849	LOCKWASHER	10	3
12	033372	WASHER	FLAT	3
13	033060	GUARD	BELT - GENSET	1
14	038688	STRAP	ALTERNATOR ADJUSTING 90-190 AMP	1
15	031758	LOCKWASHER	5/16	1
16	031585	CAPSCREW	5/16NF X 2-1/4	1
17-1	031555	CAPSCREW	5/16NC X 1 - 135 AMP ALTERNATOR	1
17-2	031606	CAPSCREW	3/8NC X 1-1/4 - 160-190 AMP ALTERNATOR	1
18-1	031758	LOCKWASHER	5/16	1
18-2	031764	LOCKWASHER	3/8	1
19-1	033381	WASHER	ADJUSTING STRAP	1
19-2	031765	WASHER	FLAT 3/8	1
20-1	031110	PULLEY	FRESH WATER PUMP 2 GROOVE	1
20-2	038436	PULLEY	FRESH WATER PUMP 4 GROOVE FOR COMPRESSOR	1
21-1	031168	PULLEY	ALTERNATOR 90 AMP	1
21-2	038440	PULLEY	ALTERNATOR 135-190 AMP	1
22-1	032977	BELT	90 AMP ALTERNATOR	2
22-2	032977	BELT	135 AMP ALTERNATOR	2
22-3	036457	BELT	160-190 AMP ALTERNATOR	2
23-1	030735	ALTERNATOR	90 AMP 12VDC WITH REGULATOR	1
23-2	038792	ALTERNATOR	135 AMP 12VDC	1
23-3	038793	ALTERNATOR	160 AMP 12VDC	1
23-4	038794	ALTERNATOR	190 AMP 12VDC	1
24-1	038891	REGULATOR	VOLTAGE 135 AMP ALTERNATOR	1
24-2	038892	REGULATOR	VOLTAGE 160-190 AMP ALTERNATOR	1



WESTERBEKE 63B-63C FOUR - 15.0 BTDA/B - ELECTRICAL SYSTEM

REF	PN	NAME	REMARKS	QUAN
1-1	039275	PUMP	FUEL LIFT 12VDC	1
1-2	033721	PUMP	FUEL LIFT 24VDC WITH FILTER	1
2-1	030125	SWITCH	WATER TEMPERATURE - PROPULSION	1
2-2	037453	BUSHING	REDUCER 1/4NPT X 1/8NPT - PROPULSION	1
2-3	039550	SWITCH	WATER TEMPERATURE - GENSET	1
3	035109	SENDER	WATER TEMPERATURE	1
4	031847	NUT	10-32	AR
5	031849	LOCKWASHER	10	AR
6	039790	ALTERNATOR	50 AMP 12VDC WITH REGULATOR	1
8		NUT	10-24	1
9	031752	LOCKWASHER	1/4	1
10	031750	NUT	1/4NC	1
11	031086	BOOT	ALTERNATOR TERMINAL	1
12	032366	WIRE	GLOWPLUG CONNECTING	1
13-1	024353	GLOWPLUG	12VDC	4
13-2	034467	GLOWPLUG	24VDC	4
14	031577	CAPSCREW	5/16NF X 5/8	4
15	031758	LOCKWASHER	5/16	4
16	031502	CAPSCREW	1/4NC X 5/8	2
17	031866	SCREW	8-32 X 7/8 SS	2
18	031844	LOCKWASHER	8	4
19	024582	BRACKET	SOLENOID AND CIRCUIT BREAKER 63B-15 BTDA	1
20	031861	SCREW	8-32 X 1/4 SS	2
21-1	024683	BREAKER	CIRCUIT 20 AMP 12VDC	1
21-2	020946	BREAKER	CIRCUIT 10 AMP 24VDC	1
22-1	024639	SOLENOID	PRE-HEAT 12VDC	1
22-2	022249	SOLENOID	PRE-HEAT 24VDC	1
23	031752	LOCKWASHER	1/4	2
24	031750	NUT	1/4NC	2
25	031760	NUT	5/16NF	2
26	036563	BREAKER	CIRCUIT 10 AMP	1
27	031911	SCREW	8-32 X 1/4 BRASS	2
28	032923	SWITCH	EXHAUST TEMPERATURE - GENSET	1
29	035711	SCREW	6-32 X 1/4 TAPPING	2
30-1	038790	HARNESS	ENGINE 63B	1
30-2	040598	HARNESS	ENGINE 63C	1
30-3	038791	HARNESS	GENSET INCLUDED IN PANEL HARNESS ASSY	1
31	030245	SOLENOID	STARTER MOTOR 030593	1
32	031786	LOCKWASHER	M 8 DIN 127	1
33	018242	NUT	M 8 DIN 934	1
34-1	024338	SOLENOID	FUEL SHUT-OFF 12VDC	1
34-2	031285	SOLENOID	FUEL SHUT-OFF 24VDC	1
34-3	034913	SOLENOID	FUEL SHUT-OFF 12VDC UNGROUNDED	1
34-4	034992	SOLENOID	FUEL SHUT-OFF 24VDC UNGROUNDED	1
35	037323	SWITCH	OIL PRESSURE	1
36	011984	ELBOW	1/8NPT STREET 90 STEEL	2
37-1	024132	SENDER	OIL PRESSURE 100 PSI 12VDC	1
37-2	042161	SENDER	OIL PRESSURE 80 PSI 24VDC	1
38-1	039144	DIAGRAM	PROPULSION WIRING	1
38-2	036411	DIAGRAM	GENSET WIRING-MECHANICAL GOVERNOR	1
38-3	039422	DIAGRAM	GENSET WIRING-ELECTRONIC GOVERNOR 12VDC	1
38-4	039860	DIAGRAM	GENSET WIRING-ELECTRONIC GOVERNOR 24VDC	1

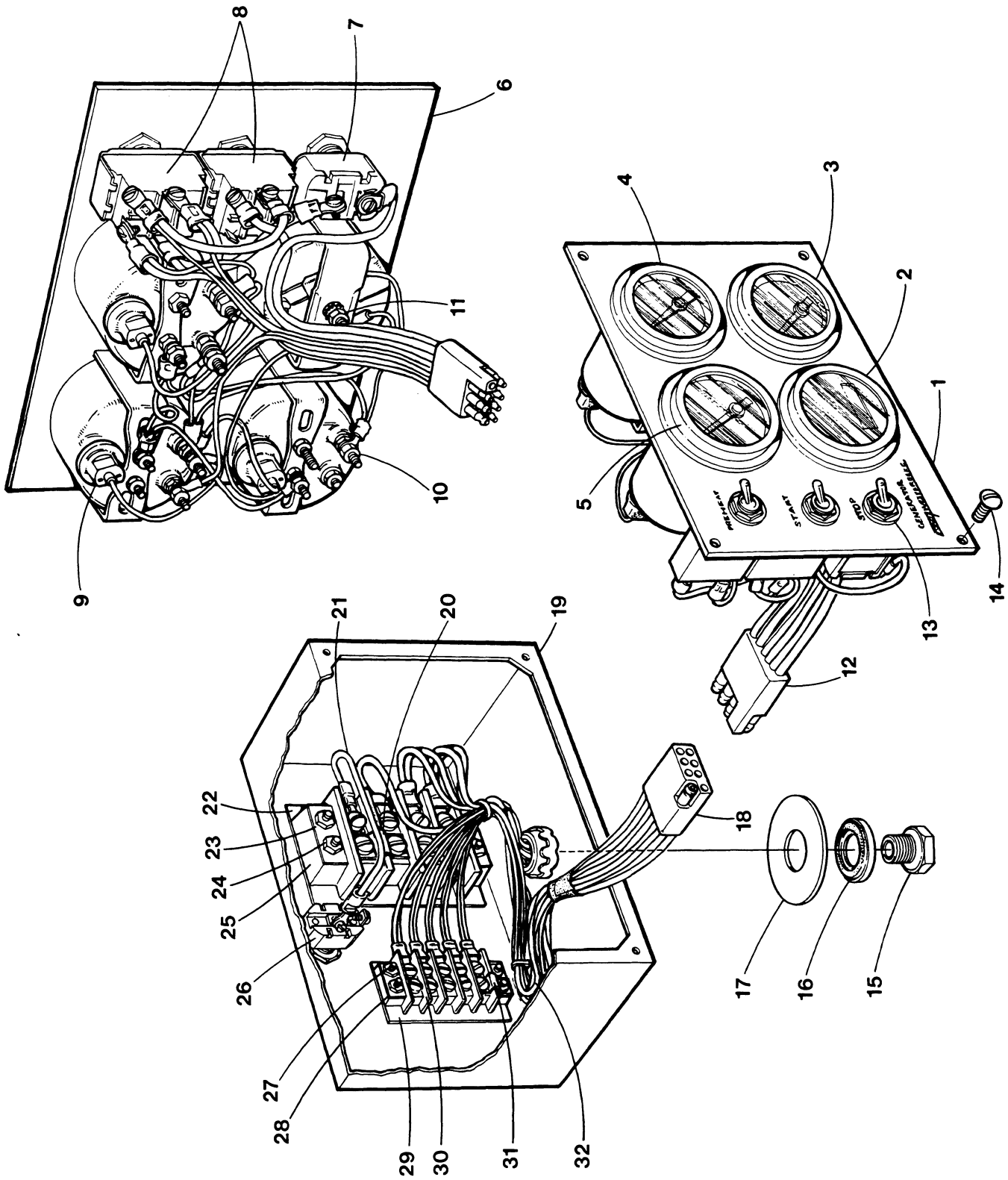
WESTERBEKE 63B-63C FOUR - PROPULSION INSTRUMENT PANELS



WESTERBEKE 63B-63C FOUR - PROPULSION INSTRUMENT PANELS

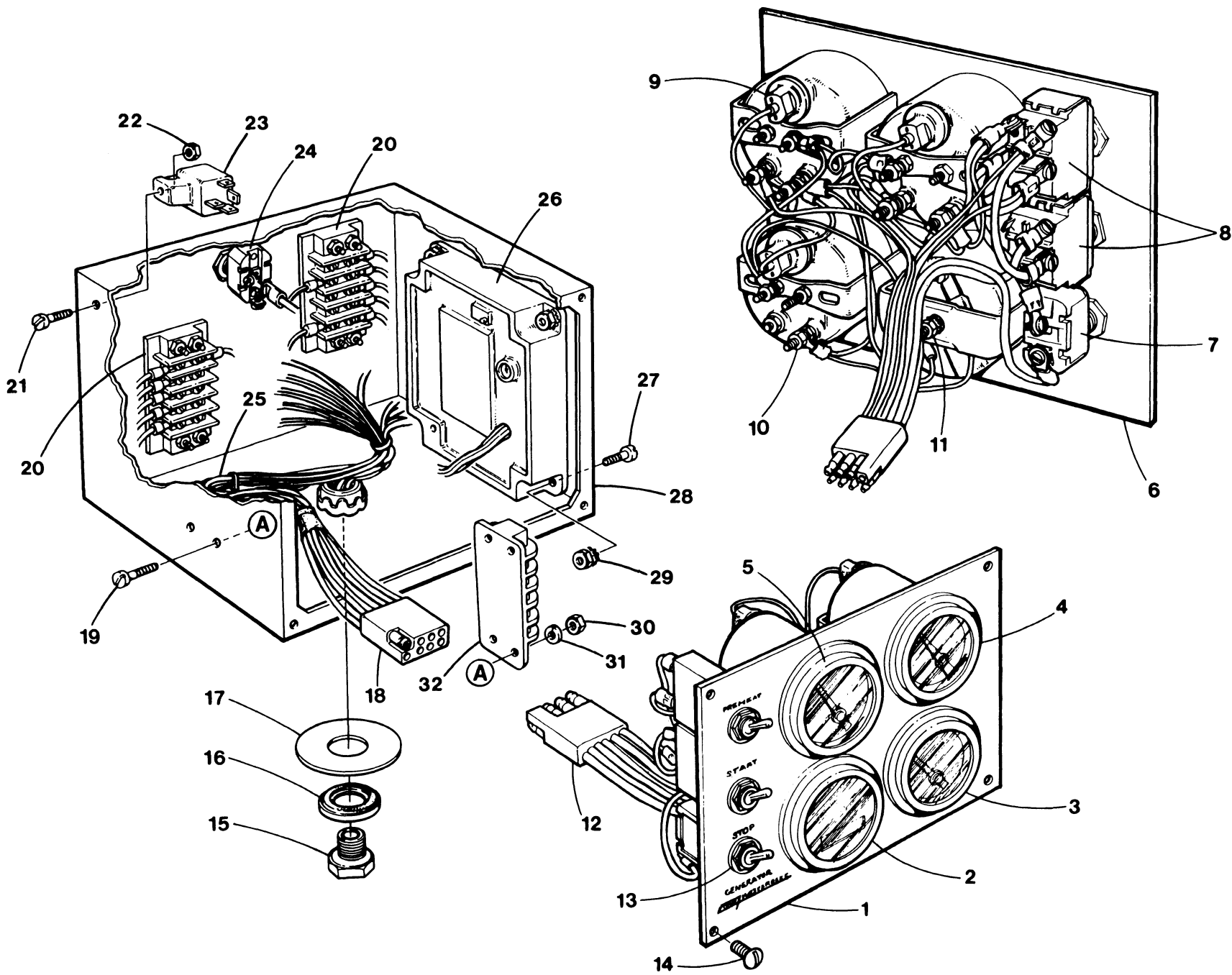
REF	PN	NAME	REMARKS	QUAN
1	036842	PANEL	ADMIRAL INCLUDING ALARM	1
2	030913	SCREW		1
3	030119	COVER	PANEL REAR	1
4	035118	HOLDER	LAMP WEDGE BASE	3
5	035114	LAMP	INSTRUMENT 12VDC WEDGE BASE	3
6	037601	METER	WATER TEMPERATURE 12VDC	1
7	037603	METER	OIL PRESSURE 100 PSI 12VDC	1
8	033865	PANEL	PLATE	1
9	033693	KEYSWITCH	OFF-ON	1
10	030003	NUT	NYLON LOCKING 6-32	1
11	033684	COVER	FACEPLATE	1
12	030002	SPACER	NYLON	1
13	024996	WINDOW	KEYSWITCH COVER	1
14	030001	SCREW	NYLON 6-32 X 1/2 WASHER HEAD	1
15	037605	VOLTMETER	12VDC	1
16	033682	DECAL	SWITCH IDENTIFICATION	1
17	030148	CABLE	PANEL TO ENGINE 8 PIN	1
18-1	033764	SWITCH	PUSHBUTTON START/PREHEAT	2
18-2	019031	CAP	SWITCH COVER REPLACEMENT	2
19	011917	METER	TACHOMETER-HOUR	1
20	036829	ALARM	ASSEMBLY	1
21	035825	WIRE	POWER TO METER LAMPS	3
22	039144	DIAGRAM	PROPULSION WIRING	1
23	036473	PANEL	CAPTAIN	1
24	036590	METER	TACHOMETER	1
25	036043	PANEL	PLATE	1
26-1	036479	SWITCH	TEST	1
26-2	036490	CAP	SWITCH	1
27	013355	BUZZER	ALARM	1
28	030946	PLUG	NYLON	1
29-1	024947	LAMP	12VDC	3
29-2	036483	HOLDER	LAMP	3
30	036626	HARNESS	PANEL TO ENGINE 4 PIN	1
31	036627	HARNESS	PANEL TO ENGINE 8 PIN	1
32	036477	ASSEMBLY	TERMINAL-DIODE	1
33	036544	SPACER	TERMINAL-DIODE ASSEMBLY	2
34	036545	SCREW	6-32 X 3/4 TAPPING SS	2
35	036630	DRAWING	TEMPLATE TO INSTALL EITHER PANEL	1

WESTERBEKE 15.0 BTDA - GENERATOR CONTROL PANEL - MECHANICAL GOVERNOR



WESTERBEKE 15.0 BTDA - GENERATOR CONTROL PANEL - MECHANICAL GOVERNOR

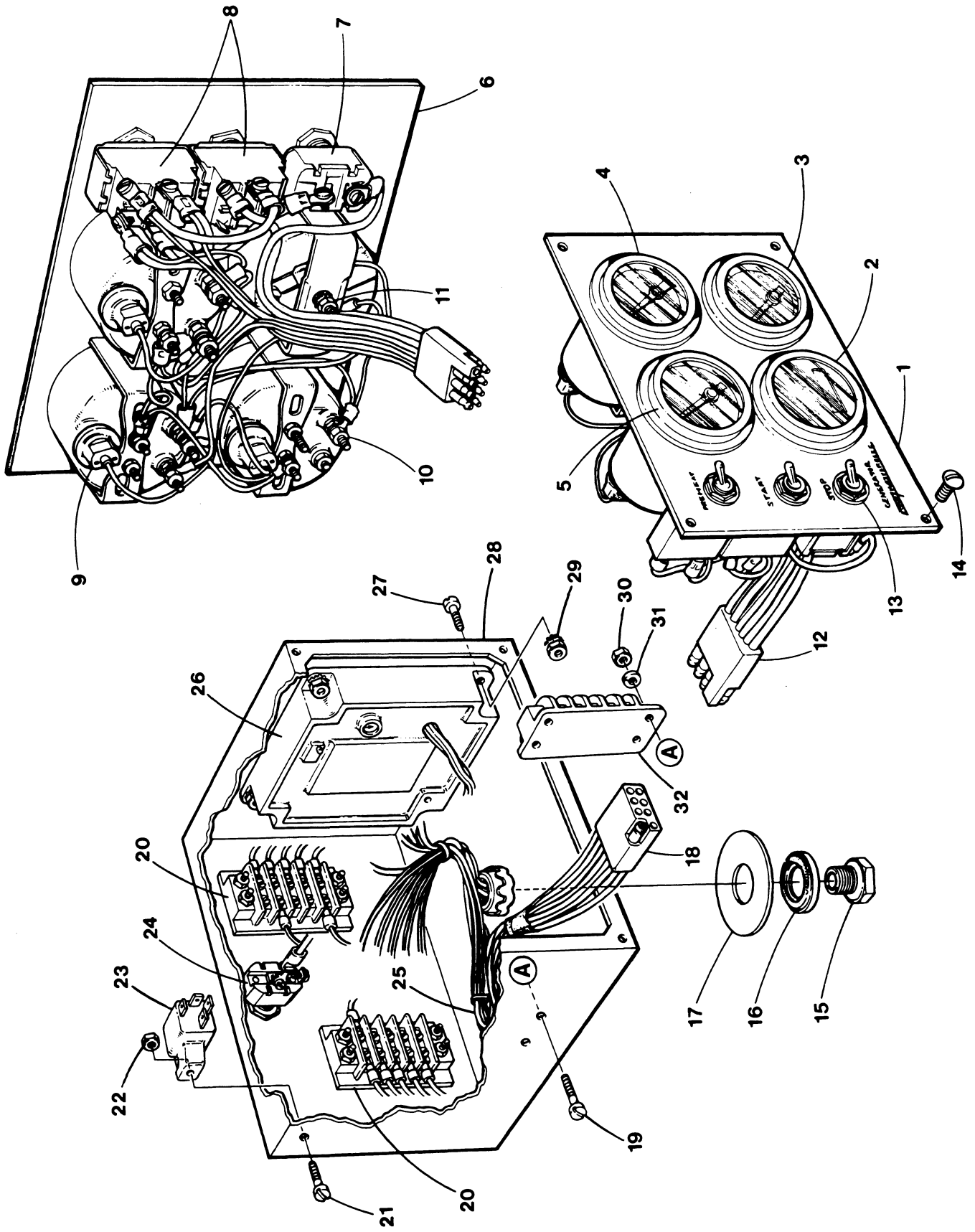
REF	PN	NAME	REMARKS	QUAN
1	036539	PANEL	GENSET CONTROL 12VDC REF 2 THRU 13	1
2	036192	HOURLMETER		1
3	037605	VOLTMETER	12VDC	1
4	037603	METER	OIL PRESSURE 100 PSI 12VDC	1
5	037601	METER	WATER TEMPERATURE 12VDC	1
6-1	034485	PLATE	PANEL	1
6-2	035303	COVER	BOX WHEN PANEL IS REMOTE MOUNTED	1
7	024731	SWITCH	STOP	1
8	024732	SWITCH	PREHEAT-START	2
9-1	035114	LAMP	INSTRUMENT WEDGE BASE	3
9-2	035118	HOLDER	LAMP WEDGE BASE	3
9-3	035825	WIRE	LAMP POWER CONNECTION	3
10-1	031900	NUT	10-32	AR
10-2	031902	LOCKWASHER	10	AR
11	031904	NUT	10-24 KEPS	1
12	036538	HARNESS	PANEL	1
13	031999	RING	TOGGLE SWITCH MOUNT LOCKING	3
14	034421	SCREW	8-32 X 3/8 TRUSS HEAD BLACK SS	4
15	036464	NIPPLE	CHASE WITH BUSHING	1
16	036492	RING	SEALING	1
17	036837	WASHER	REDUCER	1
18	038791	HARNESS	ENGINE	1
19-1	038675	ASSEMBLY	BOX AND HARNESS	1
19-2	036466	BOX	GENERATOR CONTROL PANEL	1
20	013938	JUMPER	TERMINAL BLOCK	1
21	036698	WIRE	STOP SWITCH TO TERMINAL BLOCK	1
22	013363	MARKER	TERMINAL BLOCK	1
23	013856	PLATE	SCREW-TERMINAL BLOCK	2
24-1	031866	SCREW	8-32 X 7/8 BINDING HEAD SS	4
24-2	031842	NUT	8-32 HEX SS	4
24-3	031843	WASHER	FLAT 8	4
24-4	031844	LOCKWASHER	8	4
25	013320	BLOCK	TERMINAL	1
26-1	033259	SWITCH	EMERGENCY STOP	1
26-2	033258	BOOT	EMERGENCY STOP SWITCH	1
26-3	033251	LABEL	EMERGENCY STOP SWITCH	1
27-1	031855	SCREW	6-32 X 5/8 BINDING HEAD SS	4
27-2	050234	NUT	6-32 KEPS	4
27-3	031838	WASHER	FLAT 6	4
28	015222	PLATE	SCREW-TERMINAL BLOCK	2
29	019122	MARKER	TERMINAL BLOCK	1
30	019121	BLOCK	TERMINAL	1
32	036232	HARNESS	PANEL BOX	1



WESTERBEKE 15.0 BTDA/B - GENERATOR CONTROL PANEL - ELECTRONIC GOVERNOR

REF	PN	NAME	REMARKS	QUAN
1-1	036539	PANEL	GENSET CONTROL 12VDC REF 2 THRU 13	1
1-2	042162	PANEL	GENSET CONTROL 24VDC REF 2 THRU 13	1
1-3	039330	PANEL	GENSET CONTROL 12VDC UNGROUNDED	1
1-4	039460	PANEL	GENSET CONTROL 24VDC UNGROUNDED	1
2-1	036192	HOURMETER	12VDC	1
2-2	042159	HOURMETER	24VDC	1
3-1	037605	VOLTMETER	12VDC	1
3-2	042156	VOLTMETER	24VDC	1
4-1	037603	METER	OIL PRESSURE 100 PSI 12VDC	1
4-2	042157	METER	OIL PRESSURE 80 PSI 24VDC	1
4-3	011914	METER	OIL PRESSURE 150PSI 12VDC UNGROUNDED	1
4-4	011916	SENDER	OIL PRESSURE FOR 11914 METER	1
4-5	039846	METER	OIL PRESSURE 80PSI 24VDC UNGROUNDED	1
4-6	039848	SENDER	OIL PRESSURE FOR 39846 METER	1
5-1	037601	METER	WATER TEMPERATURE 12VDC	1
5-2	042158	METER	WATER TEMPERATURE 24VDC	1
5-3	011913	METER	WATER TEMPERATURE 12VDC UNGROUNDED	1
5-4	011915	SENDER	WATER TEMPERATURE FOR 11913 METER	1
5-5	039847	METER	WATER TEMPERATURE 24VDC UNGROUNDED	1
5-6	039849	SENDER	WATER TEMPERATURE FOR 39847 METER	1
6-1	034485	PLATE	PANEL	1
6-2	035303	COVER	BOX WHEN PANEL IS REMOTE MOUNTED	1
7	024731	SWITCH	STOP	1
8	024732	SWITCH	PREHEAT-START	2
9-1	035114	LAMP	INSTRUMENT WEDGE BASE 12VDC	3
9-2	035118	HOLDER	LAMP WEDGE BASE	3
9-3	035825	WIRE	LAMP POWER CONNECTION	3
10-1	031900	NUT	10-32 BRASS	AR
10-2	031902	LOCKWASHER	10 BRONZE	AR
10-3	031897	NUT	8-32 BRASS	AR
10-4	031899	LOCKWASHER	8 BRONZE	AR
11-1	031842	NUT	8-32 HEX SS	2
11-2	031844	LOCKWASHER	8 SS	2
12	036538	HARNESS	PANEL	1
13-1	031999	RING	TOGGLE SWITCH MOUNT LOCKING	3
13-2	038042	NUT	TOGGLE SWITCH	3
14	034421	SCREW	8-32 X 3/8 TRUSS HEAD BLACK SS	4
15	036464	NIPPLE	CHASE WITH BUSHING	1
16	036492	RING	SEALING	1
17	036837	WASHER	REDUCER	1
18	039430	HARNESS	ENGINE	1
19	031855	SCREW	6-32 X 5/8 SS BINDING HEAD	12
20-1	039928	BLOCK	TERMINAL 10 POSITION	2
20-2	039929	MARKER	TERMINAL BLOCK	2
20-3	015222	PLATE	SCREW-TERMINAL BLOCK	6

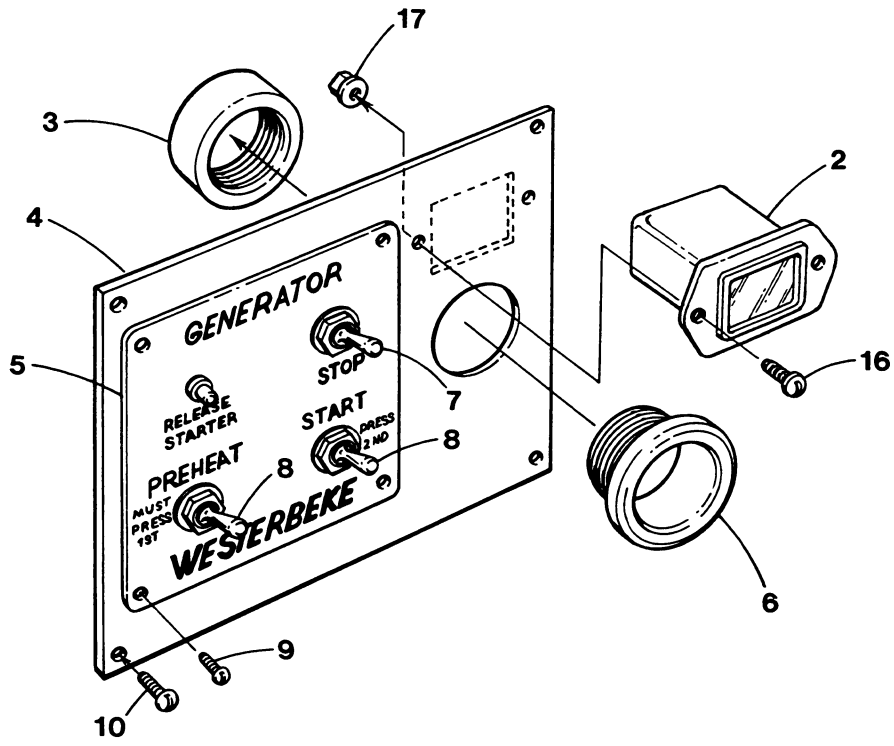
WESTERBEKE 15.0 BTDA/B - GENERATOR CONTROL PANEL - ELECTRONIC GOVERNOR



WESTERBEKE 15.0 BTDA/B - GENERATOR CONTROL PANEL - ELECTRONIC GOVERNOR

REF	PN	NAME	REMARKS	QUAN
21	031872	SCREW	10-32 X 1/2 SS	1
22	200125	NUT	10-32 KEPS	1
23-1	037833	RELAY	12 VDC	1
23-2	039858	RELAY	24 VDC	1
24-1	033259	SWITCH	EMERGENCY STOP	1
24-2	033258	BOOT	EMERGENCY STOP SWITCH	1
24-3	033251	LABEL	EMERGENCY STOP SWITCH	1
25	036232	HARNESS	PANEL BOX	1
26-1	303008	CONTROLLER	GOVERNOR 12 VDC	1
26-2	039747	CONTROLLER	GOVERNOR 24 VDC	1
27	031872	SCREW	10-32 X 1/2 SS	4
28-1	039423	ASSEMBLY	BOX AND HARNESS 12 VDC	1
28-2	042171	ASSEMBLY	BOX AND HARNESS 24 VDC	1
28-3	039368	BOX	GENSET CONTROL PANEL	1
28-4	040185	COVER	PANEL BOX	1
29	200125	NUT	10-32 KEPS	4
30	050234	NUT	6-32 KEPS	12
32-1	050201	BLOCK	TERMINAL	1
32-2	050374	MARKER	TERMINAL BLOCK	1
33	024968	DECAL	GENSET OPERATING INSTRUCTIONS	1

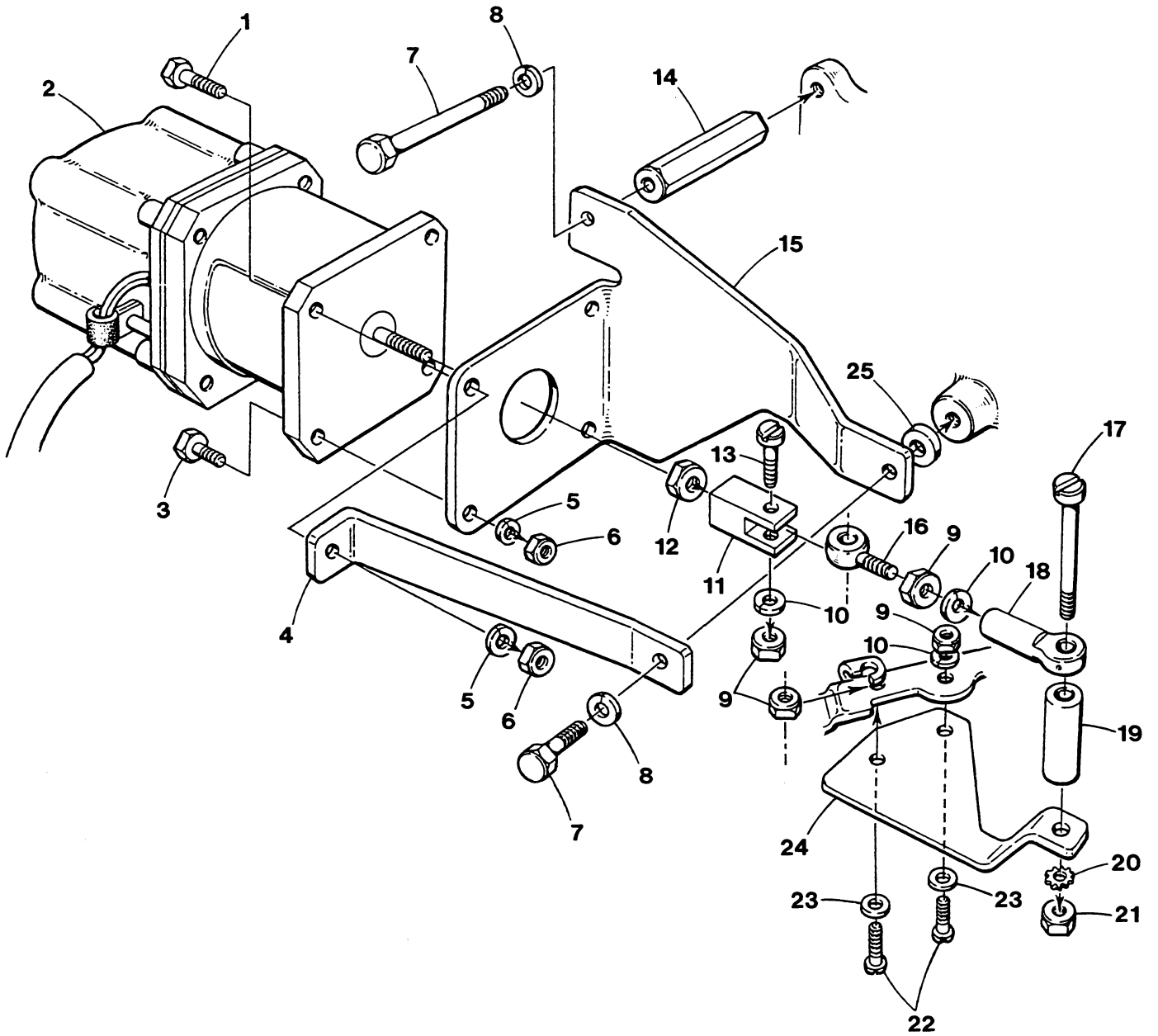
WESTERBEKE 15.0 BTDB - GENSET START/STOP PANELS



WESTERBEKE 15.0 BTDB - GENSET START/STOP PANELS

REF	PN	NAME	REMARKS	QUAN
1-1	042448	PANEL	START-STOP 12 VDC	1
1-2	042620	PANEL	START-STOP 24 VDC	1
2	042388	HOURLMETER	12-24 VDC	1
3	011812	BUSHING	INSULATED FEMALE 1.25	1
4	034775	PLATE	MOUNTS ON PANEL BOX	1
5-1	024943	PANEL	START-STOP CONTROL 12 VDC	1
6	011811	BUSHING	INSULATED MALE 1.25	1
7	024731	SWITCH	STOP	1
8	024732	SWITCH	PREHEAT-START	2
9	039004	SCREW	6-32 X 1/4 FLAT HEAD BLACK SS	4
10	034421	SCREW	8-32 X 3/8 TRUSS HEAD BLACK SS	4
11	032975	LED	GREEN-STARTER RELEASE	1
12-1	013723	RESISTOR	12 VDC	1
12-2	042621	RESISTOR	24 VDC	1
13	013724	DIODE		1
14	042447	CABLE	8 PIN FOR PANEL 42448-42620	1
15	038220	DIAGRAM	WIRING REMOTE START-STOP	1
16	031853	SCREW	6-32 X 3/8 BINDING HEAD SS	2
17	050234	NUT	6-32 KEPS	2

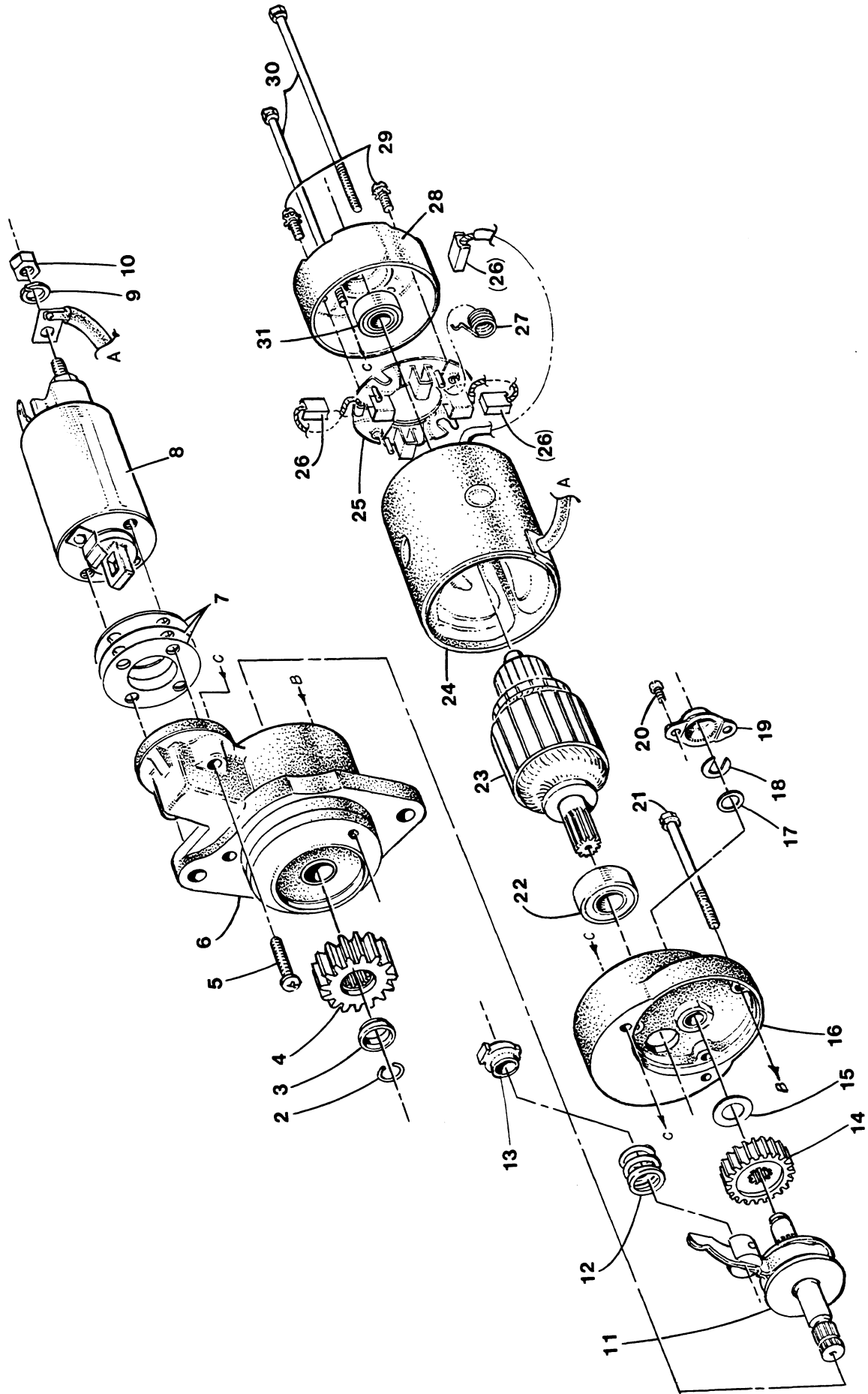
WESTERBEKE 15.0 BTDA/B - ELECTRONIC GOVERNOR



WESTERBEKE 15.0 BTDA/B - ELECTRONIC GOVERNOR

REF	PN	NAME	REMARKS	QUAN
1	020628	CAPSCREW	M 6 X 25 DIN 933	1
2-1	303007	ACTUATOR	GOVERNOR 12 VDC	1
2-2	039746	ACTUATOR	GOVERNOR 24 VDC	1
3	018804	CAPSCREW	M 6 X 20 DIN 933	3
4	039383	BRACKET	ACTUATOR SUPPORT	1
5	031783	LOCKWASHER	M 6 DIN 127	4
6	015812	NUT	M 6 DIN 934	4
7	031578	CAPSCREW	5/16NF X 3/4	2
8	031758	LOCKWASHER	5/16	2
9	031847	NUT	10-32 HEX SS	4
10	031849	LOCKWASHER	10	4
11	303009	CLEVIS	ACTUATOR	1
12	031801	NUT	M 6 DIN 439 JAM	1
13	031874	SCREW	10-32 X 3/4 SS BINDING HEAD	1
14	039011	SPACER		1
15	039009	BRACKET	ACTUATOR	1
16	039390	BALLJOINT	MALE	1
17	039602	SCREW	10-32 X 1-7/8 SS LARGE PAN HEAD	1
18	303012	BALLJOINT	FEMALE	1
19	039387	SPACER		1
20	031849	LOCKWASHER	10	1
21	031847	NUT	10-32 HEX SS	1
22	031872	SCREW	10-32 X 1/2 SS BINDING HEAD	2
23	031849	LOCKWASHER	10	2
24	039389	LEVER	THROTTLE EXTENSION	1
25	034616	SPACER	15 BTDB	1

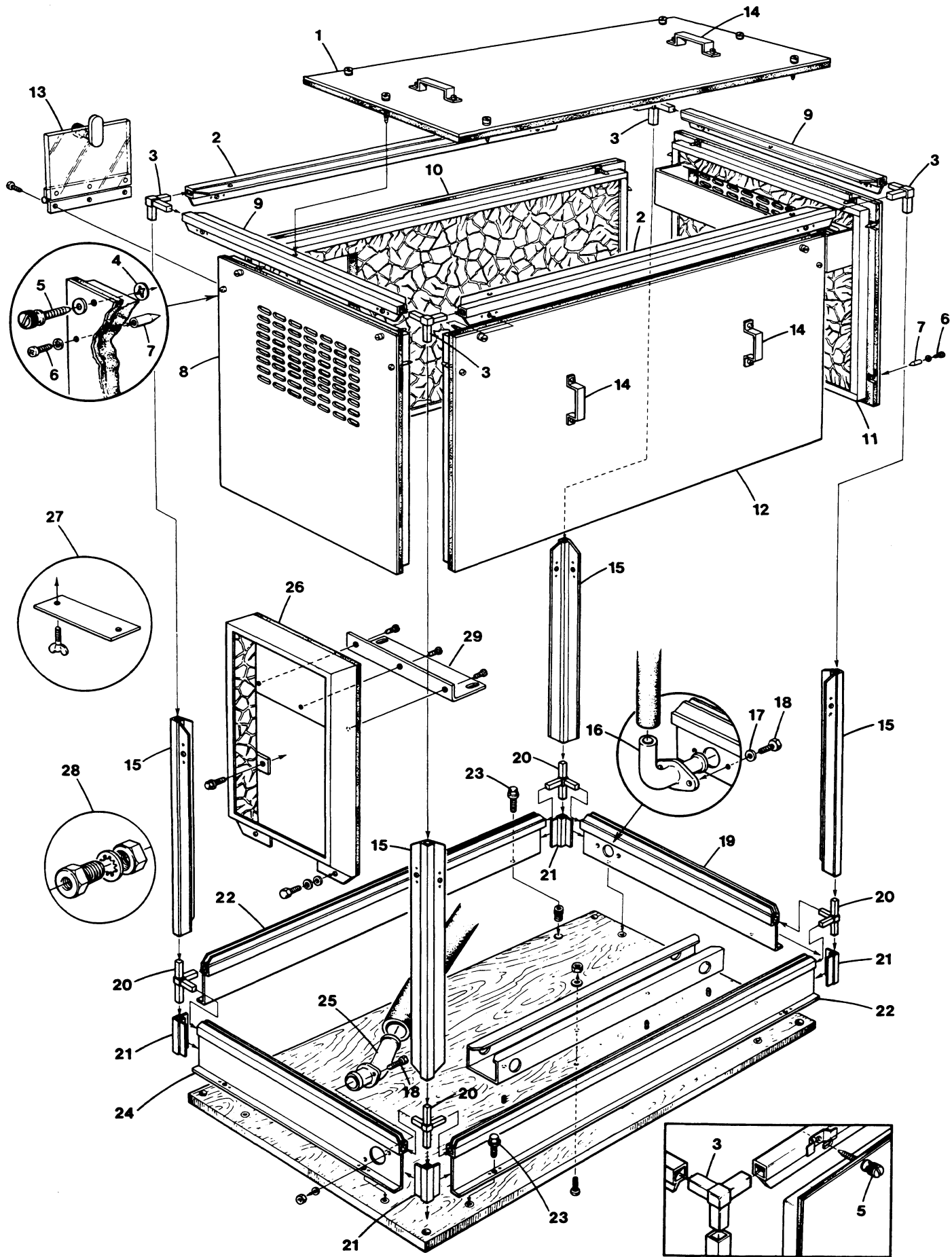
WESTERBEKE 63B-63C FOUR - 15.0 BTDA/B - STARTER MOTOR



WESTERBEKE 63B-63C FOUR - 15.0 BTDA/B - STARTER MOTOR

REF	PN	NAME	REMARKS	QUAN
1	030593	MOTOR	STARTER 12VDC	1
2		RING	RETAINING SEE REF 3	1
3	030261	RETAINER	INCLUDING REF 2	1
4	030700	PINION	INCLUDING REF 2 AND 3	1
5	030263	SCREW SET	INCLUDING REF 29	1
6		BRACKET	FRONT	1
7		SHIMS	SOLENOID SEE REF 8	AR
8	030245	SOLENOID	INCLUDING REF 7	1
9	031786	LOCKWASHER	M 8 DIN 127	2
10	018242	NUT	M 8 DIN 934	2
11	030265	SHAFT	ASSEMBLY	1
12		SPRING		1
13		RETAINER		1
14	030695	GEAR		1
15		WASHER	SEE REF 19	1
16		BRACKET	CENTER	1
17		WASHER	SEE REF 19	1
18		CLIP	SEE REF 19	1
19	030696	COVER	INCLUDING REF 15,17,18,20	1
20		SCREW	SEE REF 19	2
21	030692	CAPSCREW	M 5 X 73	1
22	031305	BEARING	ARMATURE	1
23		ARMATURE	INCLUDING BEARINGS	1
24		HOUSING	YOKE ASSEMBLY	1
25	030262	HOLDER	BRUSH ASSEMBLY INCL REF 26 AND 27	1
26		BRUSH	SEE REF 25	4
27	030246	SPRING	BRUSH	1
28	030697	HOUSING	REAR	1
29		SCREW	SEE REF 5	2
30		CAPSCREW		2
31	031306	BEARING	ARMATURE	1

WESTERBEKE 15.0 BTDA/B - GENERATOR SOUND GUARD



WESTERBEKE 15.0 BTDA/B - GENERATOR SOUND GUARD

REF	PN	NAME	REMARKS	QUAN
1		PANEL	TOP	1
2	038852	RAIL	SIDE	2
3	024057	CORNER		4
4	030896	RETAINER	QUICK OPENING SCREW	AR
5	030895	SCREW	QUICK OPENING	AR
6	031940	SCREW	6-32 X 3/8 SEMS PHIL HD	AR
7	030775	GUIDE	PANEL ALIGNMENT	AR
8		PANEL	REAR	1
9	038853	RAIL	END	2
10		PANEL	SIDE	1
11		PANEL	FRONT	1
12		PANEL	SIDE WITH WINDOW	1
13	037417	WINDOW	ASSEMBLY	1
14	035720	HANDLE		AR
15	038851	POST	CORNER	4
16	036624	ELBOW	SEA WATER INLET	1
17	031752	LOCKWASHER	1/4	4
18	031502	CAPSCREW	1/4NC X 5/8	4
19	038855	SKIRT	FRONT	1
20	024058	CORNER		4
21	030880	CLOSURE	SKIRT CORNER	4
22	038854	SKIRT	SIDE	2
23	031526	CAPSCREW	1/4NF X 1/2	8
24	040097	SKIRT	REAR	1
25	036744	ELBOW	EXHAUST	1
26	038770	PLENUM	AIR INTAKE	1
27	037298	COVER KIT	BOTTOM OF GENSET VENT	1
28	023991	ADAPTER	FUEL LINES THRU SKIRT	2

WESTERBEKE 63B-63C FOUR - 15.0 BTDA/B - MISCELLANEOUS

REF	PN	NAME	REMARKS	QUAN
1	038775	KIT A	SPARE PARTS	1
2-1	038776	KIT B	SPARE PARTS EXTENDED CRUISING 63B-15BTDA	1
2-2	041786	KIT B	SPARE PARTS EXTENDED CRUISING 63C-15BTDB	1
3-1	038773	GASKET SET	UPPER 63B-15.0 BTDA	1
3-2	041787	GASKET SET	UPPER 63C-15.0 BTDB	1
4-1	038774	GASKET SET	COMPLETE 63B-15.0 BTDA	1
4-2	041788	GASKET SET	COMPLETE 63C-15.0 BTDB	1
5	032974	FILTER	PRIMARY FUEL SEPARATOR	1
6	015010	STRAINER	SEA WATER	1
7	033327	VALVE	ANTI-SIPHON	1
8-1	013758	PAINT	RED AEROSOL SPRAY CAN	1
8-2	042307	PAINT	WHITE AEROSOL SPRAY CAN	1
9	020654	SPLITTER	ALTERNATOR OUTPUT	1
10-1	030760	HARNESS	15 FOOT PANEL EXTENSION 8 PIN	1
10-2	036557	HARNESS	15 FOOT PANEL EXTENSION 4 PIN	1
11	032149	FILTER KIT	REMOTE LUBE OIL	1
12-1	032009	SWITCH	GENERATOR SHIP-SHORE 3 WIRE	1
12-2	032010	SWITCH	GENERATOR SHIP-SHORE 2 WIRE	1
13	032050	KIT	FUEL HARDWARE	1
14-1	038922	MANUAL	OPERATOR 63B-63C	1
14-2	038663	MANUAL	OPERATOR 15.0 BTDA/B	1
15	038929	MANUAL	TECHNICAL	1
16	037306	MUFFLER	HYDRO-HUSH FIBREGLASS GENSET ONLY	1
17	024177	KIT	REMOTE FRESH WATER SURGE TANK	1

PART NO	PAGE	REF	PART NO	PAGE	REF	PART NO	PAGE	REF
011143	115	28	013723	177	12-1	019262	145	3
011143	133	5	013724	177	13	019262	145	24
011263	115	29	013758	184	8-1	019262	147	40
011341	125	4	013760	127	19	019262	147	45
011386	127	14	013856	171	23	019262	147	53
011405	145	18	013870	137	24	019262	149	15
011405	149	6	013870	145	31	019262	149	18
011411	149	2	013870	149	25	019262	153	2
011471	127	33	013919	147	42	019321	127	24
011471	149	9	013938	171	20	019364	137	35
011505	117	6	014464	137	6	019369	127	34
011548	165	2-1	015010	184	6	020628	179	1
011597	137	29-3	015153	133	11	020650	139	51
011618	147	43	015222	171	28	020650	145	35
011630	149	14-1	015222	173	20-3	020654	184	9
011631	149	14-2	015238	151	15	020946	167	21-2
011632	149	14-4	015812	155	41	021122	125	1
011633	149	14-5	015812	179	6	021516	125	5
011634	149	14-6	015816	161	16	021516	125	6
011672	165	3	015830	127	29	021558	109	29-3
011779	145	17	015887	131	5	021676	103	22
011779	149	7	015887	145	13	021878	105	42
011811	177	6	015887	149	19	021885	121	16
011812	177	3	015887	153	9	022114	149	12-1
011885	127	36	016423	115	32	022205	103	28-1
011913	173	5-3	016423	127	12	022205	103	28-2
011914	173	4-3	016423	133	1	022249	167	22-2
011915	173	5-4	016676	137	29-2	022513	141	9
011916	173	4-4	017196	145	21	022513	141	33
011917	169	19	017196	153	23	022513	143	55
011921	149	11	017298	119	17	022850	127	23
011961	149	32- 8	017849	101	11	022851	127	25
011962	149	32- 9	017849	105	46	022852	127	22
011963	149	32-10	017849	111	9	023413	163	14-2
011964	149	32-11	018148	133	3	023567	149	12-2
011984	125	14	018151	133	14	023609	149	32-12
011984	167	36	018152	133	8	023652	145	27
012446	111	28	018159	133	9	023652	149	33-1
012493	105	41	018160	133	7	023653	149	33-2
013057	149	5	018169	133	6	023706	145	25-1
013320	171	25	018170	133	4	023706	149	32- 1
013325	137	23	018171	133	12	023707	145	25-2
013325	145	32	018172	133	15	023707	149	32- 2
013325	149	24	018176	133	2	023708	145	25-3
013330	149	3	018241	137	20	023708	149	32- 3
013330	149	10	018242	127	31	023709	145	25-4
013338	149	4	018242	167	33	023709	149	32- 4
013340	141	12	018242	181	10	023710	145	25-5
013340	141	37	018804	179	3	023710	149	32- 5
013340	143	56	018813	145	11	023711	145	25-6
013343	137	8-3	019031	169	18-2	023711	149	32- 6
013344	137	8-2	019039	101	4	023712	145	25-7
013348	149	13-1	019039	147	55	023712	149	32- 7
013348	149	13-2	019039	153	8	023991	183	28
013355	169	27	019121	171	30	024057	183	3
013363	171	22	019122	171	29	024058	183	20
013629	147	39	019262	131	4	024132	125	21
013629	153	19	019262	141	14	024132	167	37-1

PART NO	PAGE	REF	PART NO	PAGE	REF	PART NO	PAGE	REF
024177	184	17	024436	113	35	024950	145	23
024306	127	6	024437	111	30	024968	175	33
024338	137	31-1	024443	111	13	024977	129	55
024338	167	34-1	024445	111	2	024996	169	13
024339	137	32	024446	111	3-1	030001	169	14
024345	103	21-1	024453	117	1	030002	169	12
024346	111	19-1	024454	137	5	030003	169	10
024349	103	15	024461	139	47	030025	141	38
024349	105	40	024468	123	6-1	030025	143	57
024350	123	2	024469	123	4-1	030062	139	43
024351	111	25	024470	123	10-1	030106	115	27
024353	167	13-1	024472	123	11	030119	169	3
024363	141	17	024479	135	8	030125	167	2-1
024363	141	40	024480	135	15	030128	163	10-1
024364	101	14	024481	135	9	030139	137	39
024366	103	16	024498	137	27	030139	141	20
024368	105	37	024501	137	26	030139	143	44
024369	101	9	024517	123	9	030148	169	17
024370	103	19	024518	135	1	030159	139	54
024371	101	12	024523	101	7	030168	163	14-1
024371	103	18	024542	137	37	030182	163	13-1
024372	103	20	024549	141	23	030245	167	31
024373	101	6	024568	135	5	030245	181	8
024373	103	17	024582	103	9-1	030246	181	27
024374	101	2	024582	167	19	030261	181	3
024374	101	17	024585	137	38-2	030262	181	25
024374	101	18	024600	137	8-1	030263	181	5
024377	103	12	024601	101	21	030265	181	11
024378	101	8	024633	137	29-1	030290	137	41
024379	101	3	024637	129	54	030290	141	22
024380	101	20	024639	167	22-1	030290	143	42
024383	101	10	024672	103	26-1	030290	143	52
024383	101	19	024674	151	11	030291	119	6
024384	111	10	024683	167	21-1	030291	121	15
024386	101	13	024684	165	1-1	030291	137	40
024391	119	13	024690	127	7	030291	141	21
024393	101	5	024704	129	57	030291	143	43
024398	115	10	024731	171	7	030291	143	48
024399	115	18	024731	173	7	030548	143	59
024407	107	10-2	024731	177	7	030593	145	1
024411	147	49	024732	171	8	030593	153	1-1
024411	153	11	024732	173	8	030593	181	1
024413	135	4	024732	177	8	030692	181	21
024414	135	7	024735	163	13-4	030695	181	14
024415	105	43	024778	145	14	030696	181	19
024423	111	26-1	024786	129	58	030697	181	28
024424	111	23	024858	129	56	030700	181	4
024425	111	22	024903	103	25	030735	165	23-1
024426	111	21	024905	119	1	030737	163	13-3
024427	111	20	024905	121	1	030760	184	10-1
024428	111	27	024906	129	53	030775	183	7
024429	111	24-1	024906	141	2	030809	157	8-1
024430	113	31-1	024907	129	52	030809	161	9
024431	113	40	024922	119	2	030880	183	21
024432	113	41	024922	121	2	030895	183	5
024433	113	38	024926	117	11	030896	183	4
024434	113	34-1	024943	177	5-1	030913	169	2
024435	113	36	024947	169	29-1	030946	169	28

PART NO	PAGE	REF	PART NO	PAGE	REF	PART NO	PAGE	REF
030965	115	11-1	031035	135	14	031577	111	5
030966	111	17	031036	135	13	031577	119	11
030967	101	16	031037	135	17-1	031577	119	20
030968	111	16-1	031038	107	6-1	031577	167	14
030969	123	16	031039	107	6-2	031578	119	16
030972	119	14	031040	107	6-3	031578	121	9
030973	119	15	031041	107	6-4	031578	141	15
030974	109	22-1	031042	109	19-1	031578	179	7
030975	109	21-1	031043	109	19-2	031579	115	24
030976	109	20-1	031044	109	19-3	031580	103	34
030977	123	8-1	031045	109	19-4	031580	127	1
030978	103	8-1	031046	109	18-1	031582	105	45
030979	103	13-2	031047	109	18-2	031584	109	29-2
030980	105	38-1	031048	107	1-1	031585	103	33
030981	105	35-1	031049	137	38-1	031585	115	9
030982	105	36	031050	137	3	031585	163	3
030983	103	5	031051	119	4	031585	165	16
030984	103	6	031054	135	20	031586	165	6
030985	103	4	031056	115	17	031588	115	19
030986	103	1	031058	119	5	031588	125	26
030987	105	39-1	031059	107	2-1	031588	151	7
030988	101	22-1	031086	167	11	031590	103	31
030989	119	10	031102	107	15-1	031590	109	29-1
030990	119	19	031104	109	25	031590	141	29
030991	119	22	031110	135	17-2	031590	165	9
030992	115	3-1	031110	165	20-1	031592	103	29
030993	115	2	031166	147	50	031606	165	17-2
030994	115	7-1	031166	153	10	031622	163	11-2
030995	115	6	031168	165	21-1	031628	103	23
030996	107	3	031169	163	13-2	031630	141	26
030997	107	4	031170	163	10-2	031630	143	63
030998	107	7	031173	119	3	031630	145	7
030999	107	8	031228	145	26	031630	153	14
031000	107	9-2	031285	137	31-2	031631	145	8
031002	107	13	031285	167	34-2	031631	153	13
031004	107	14-1	031305	181	22	031631	163	9
031010	111	18	031306	181	31	031632	141	31
031011	111	15	031318	103	32	031655	149	31
031012	111	14	031318	163	1	031681	125	32
031013	111	6	031328	109	26-1	031681	147	57
031014	111	8	031329	109	26-2	031681	151	21
031015	111	7	031330	109	26-3	031681	151	27
031016	139	45	031502	141	4	031682	125	18
031017	111	1-1	031502	141	36	031692	125	17
031018	117	2-1	031502	167	16	031713	151	8
031020	137	7	031502	183	18	031722	163	11-1
031021	137	2	031506	129	41	031750	141	8
031022	137	9	031506	143	60	031750	141	27
031023	137	10	031526	183	23	031750	167	10
031024	137	11	031527	123	14	031750	167	24
031025	137	12	031528	123	17	031752	123	13
031027	139	46-1	031555	127	28	031752	129	40
031028	139	44	031555	163	7	031752	141	7
031029	123	3-1	031555	165	17-1	031752	145	38
031030	123	7-1	031558	151	19	031752	149	21
031031	123	5-1	031576	135	19	031752	167	9
031032	123	15-1	031577	103	3	031752	167	23
031033	123	12	031577	103	10	031752	183	17

PART NO	PAGE	REF	PART NO	PAGE	REF	PART NO	PAGE	REF
031753	129	39	031760	139	65	031847	149	27
031753	141	5	031760	151	3	031847	167	4
031753	141	35	031760	151	5	031847	179	9
031754	145	37	031760	167	25	031847	179	21
031754	149	20	031761	113	42	031849	137	21
031756	129	51	031761	115	12	031849	145	29
031756	151	18	031764	103	24	031849	149	26
031758	103	11	031764	113	33	031849	165	11
031758	103	30	031764	141	25	031849	167	5
031758	109	23	031764	141	32	031849	179	10
031758	109	28	031764	143	62	031849	179	20
031758	111	4	031764	145	6	031849	179	23
031758	111	12	031764	153	15	031852	159	5
031758	115	4	031764	163	8	031853	177	16
031758	115	8	031764	163	12-2	031855	171	27-1
031758	115	13	031764	165	18-2	031855	173	19
031758	115	16	031765	165	19-2	031861	167	20
031758	115	21	031768	149	29	031866	167	17
031758	115	25	031770	125	16	031866	171	24-1
031758	115	30	031770	125	33	031872	175	21
031758	117	3	031770	147	58	031872	175	27
031758	119	12	031770	149	30	031872	179	22
031758	119	21	031770	151	22	031873	137	22
031758	121	8	031770	151	28-1	031873	145	33
031758	121	17	031771	125	15	031873	149	23
031758	125	23	031771	151	28-2	031874	179	13
031758	125	27	031773	123	1	031891	159	2
031758	127	2	031774	151	13	031897	173	10-3
031758	129	50	031776	151	12	031899	173	10-4
031758	135	11	031776	163	12-1	031900	171	10-1
031758	135	18	031777	151	9	031900	173	10-1
031758	139	66	031780	137	14	031902	171	10-2
031758	141	16	031781	155	36	031902	173	10-2
031758	141	28	031781	157	1-3	031904	171	11
031758	151	2	031783	155	40	031911	167	27
031758	151	6	031783	179	5	031914	153	29
031758	151	17	031786	127	30	031914	155	37
031758	163	2	031786	139	52	031914	157	1-2
031758	163	6	031786	145	22	031914	157	3-2
031758	165	4	031786	145	34	031914	157	8-3
031758	165	15	031786	167	32	031914	161	8
031758	165	18-1	031786	181	9	031914	161	14
031758	167	15	031787	139	53	031915	153	18
031758	179	8	031789	145	2	031916	157	1-1
031759	109	27	031789	153	5	031917	157	7-1
031759	115	20	031789	153	17	031918	157	3-1
031759	127	3	031790	145	12	031918	161	3
031759	129	49	031801	179	12	031918	161	5
031759	139	67	031835	153	22	031919	155	38
031760	111	11	031838	171	27-3	031920	153	30
031760	115	15	031842	171	24-2	031920	161	7
031760	115	22	031842	173	11-1	031920	161	15
031760	115	31	031843	171	24-3	031926	153	7
031760	117	4	031844	167	18	031931	157	8-2
031760	121	18	031844	171	24-4	031934	157	7-2
031760	125	22	031844	173	11-2	031934	161	2
031760	125	28	031847	137	36	031935	127	17
031760	135	10	031847	145	28	031940	183	6

PART NO	PAGE	REF	PART NO	PAGE	REF	PART NO	PAGE	REF
031999	171	13	033229	165	8	035003	149	16
031999	173	13-1	033251	171	26-3	035004	149	17
032009	184	12-1	033251	175	24-3	035027	143	41-2
032010	184	12-2	033258	171	26-2	035109	103	27
032021	139	50	033258	175	24-2	035109	167	3
032050	184	13	033259	171	26-1	035114	169	5
032114	137	34	033259	175	24-1	035114	171	9-1
032131	137	33	033280	103	28-3	035114	173	9-1
032149	184	11	033327	184	7	035118	169	4
032161	145	30	033372	165	12	035118	171	9-2
032183	133	13	033373	127	5	035118	173	9-2
032213	135	12	033381	163	5	035303	171	6-2
032315	149	28	033381	165	19-1	035303	173	6-2
032365	117	9	033482	145	36	035307	145	5-1
032366	167	12	033482	149	22	035411	127	16
032367	103	7-1	033530	151	10	035711	167	29
032368	101	15	033548	107	9-1	035720	183	14
032370	137	28	033549	107	11-1	035747	127	32
032372	107	5	033658	111	29	035825	169	21
032378	135	16	033664	113	37	035825	171	9-3
032379	115	1	033667	103	13-1	035825	173	9-3
032379	115	23	033682	169	16	035827	143	47
032380	135	6	033684	169	11	035828	125	9
032381	115	14	033693	169	9	035927	153	20
032382	135	3	033721	143	53	035928	153	16
032383	115	26	033721	167	1-2	035929	153	21
032384	113	39	033764	169	18-1	035931	153	26
032493	159	10	033769	161	12	035935	153	31
032498	159	11	033792	143	58	035943	153	25
032498	159	17	033865	169	8	035963	143	49
032499	159	12	034410	157	6	035964	143	51
032499	159	18	034421	171	14	035980	157	11
032509	139	49-2	034421	173	14	036043	169	25
032564	145	16-1	034421	177	10	036192	171	2
032565	145	16-2	034467	167	13-2	036192	173	2-1
032566	145	16-3	034470	145	10	036193	139	49-1
032663	107	16-1	034470	147	54-1	036193	139	49-3
032663	107	17-1	034470	155	35	036232	171	32
032743	137	1-1	034485	171	6-1	036232	175	25
032744	137	4	034485	173	6-1	036334	125	30-1
032749	107	12	034489	141	39-2	036334	147	46-1
032868	143	45	034589	145	4-1	036338	125	29-1
032869	143	46	034589	145	4-2	036338	147	48-1
032883	113	32	034589	147	44	036411	167	38-2
032903	107	10-1	034589	153	4	036457	165	22-3
032904	139	48	034590	147	54-2	036464	171	15
032923	167	28	034593	151	25	036464	173	15
032974	184	5	034616	179	25	036465	155	43
032975	177	11	034663	125	12	036466	171	19-2
032977	165	22-1	034775	177	4	036473	169	23
032977	165	22-2	034833	145	5-2	036477	169	32
033060	165	13	034833	153	3	036479	169	26-1
033064	163	4	034857	137	30	036483	169	29-2
033065	141	30	034913	137	31-3	036490	169	26-2
033104	133	10	034913	167	34-3	036492	171	16
033226	165	5	034915	101	1-2	036492	173	16
033227	165	7	034992	137	31-4	036493	117	10
033228	165	10	034992	167	34-4	036493	119	7

PART NO	PAGE	REF	PART NO	PAGE	REF	PART NO	PAGE	REF
036493	121	14	037463	157	2	038466	155	32-6
036538	171	12	037467	153	28-1	038468	161	1
036538	173	12	037468	153	24-1	038469	161	6
036539	171	1	037469	155	32-2	038470	161	4
036539	173	1-1	037470	155	32-3	038471	161	11
036544	169	33	037601	169	6	038472	161	10
036545	169	34	037601	171	5	038510	103	14
036557	184	10-2	037601	173	5-1	038510	129	48
036563	167	26	037603	169	7	038514	125	10
036588	141	13	037603	171	4	038515	125	25
036590	169	24	037603	173	4-1	038515	151	1
036614	127	35	037605	169	15	038516	125	19
036614	129	44	037605	171	3	038518	151	4
036614	131	8	037605	173	3-1	038524	159	7
036614	145	20	037622	127	4	038525	159	6
036614	149	8	037641	117	8	038528	147	47-1
036616	127	11	037642	117	5	038530	165	1-3
036618	127	13	037735	147	51-2	038574	147	56-1
036622	147	41	037735	153	12-2	038576	125	24
036624	183	16	037745	129	47	038581	125	20
036626	169	30	037747	127	21	038582	125	11
036627	169	31	037785	117	7-1	038586	125	3
036628	127	27	037786	117	7-2	038586	127	38
036630	169	35	037788	151	20	038592	127	18
036650	149	1	037821	131	2	038602	137	19
036652	155	39	037833	175	23-1	038606	141	39-1
036698	171	21	037851	155	34	038607	143	41-1
036701	155	33	038006	147	52	038607	143	50
036702	157	13	038006	153	6	038614	141	24
036708	101	1-1	038008	147	51-1	038622	159	19
036708	101	1-3	038008	153	12-1	038643	159	15-1
036737	157	12	038042	173	13-2	038643	159	16-1
036737	161	17	038153	129	46	038650	159	13
036744	183	25	038153	131	6	038663	184	14-2
036821	119	8	038193	125	7	038675	171	19-1
036821	121	13	038193	127	8	038676	161	18
036829	169	20	038203	127	9	038688	165	14
036837	171	17	038220	177	15	038696	151	16
036837	173	17	038221	129	45	038698	151	14
036842	169	1	038221	131	9	038760	129	42-2
036849	129	43	038294	145	9	038762	151	23
037192	131	11-3	038300	127	26	038763	151	24
037208	111	16-2	038324	113	34-2	038770	183	26
037240	131	11-2	038342	157	10-1	038773	184	3-1
037297	149	14-3	038343	157	10-2	038774	184	4-1
037298	183	27	038344	157	10-3	038775	184	1
037306	184	16	038345	157	4	038776	184	2-1
037322	127	10	038346	157	5	038783	127	20
037323	125	13	038347	157	9	038789	127	15
037323	167	35	038348	161	13-2	038790	167	30-1
037340	131	11-1	038349	161	13-3	038791	167	30-3
037347	131	3	038370	159	14	038791	171	18
037393	119	9	038371	159	3	038792	165	23-2
037393	121	12	038436	135	17-3	038793	165	23-3
037417	183	13	038436	165	20-2	038794	165	23-4
037430	155	32-1	038440	165	21-2	038795	143	61
037453	167	2-2	038442	145	15	038796	137	25
037460	153	27	038464	161	13-1	038847	125	2

PART NO	PAGE	REF	PART NO	PAGE	REF	PART NO	PAGE	REF
038848	125	8	039848	173	4-6	042620	177	1-2
038848	127	37	039849	173	5-6	042621	177	12-2
038851	183	15	039858	175	23-2	042626	159	15-2
038852	183	2	039860	167	38-4	042709	159	9-2
038853	183	9	039908	153	24-3	042710	159	9-1
038854	183	22	039910	155	32-7	042719	159	21
038855	183	19	039911	155	32-5	043152	101	22-2
038862	131	10	039912	153	28-3	043155	141	19
038891	165	24-1	039913	155	32-4	043156	141	18
038892	165	24-2	039928	173	20-1	043159	121	10
038909	137	17	039929	173	20-2	043160	121	7
038910	137	15	040036	145	19	043161	121	11
038911	137	16	040097	183	24	043162	121	6
038912	137	18	040185	175	28-4	043163	115	7-2
038914	137	13	040483	117	2-2	043164	115	11-2
038922	184	14-1	040513	125	30-2	043165	107	14-2
038929	184	15	040513	147	46-2	043166	107	17-2
038934	159	16-2	040517	141	10	043167	107	16-2
039004	177	9	040518	141	1	043168	113	31-2
039009	179	15	040521	121	3	043169	111	1-2
039011	179	14	040598	167	30-2	043170	123	3-2
039015	131	1	040615	109	26-4	043171	123	7-2
039016	131	7	040654	103	21-2	043172	123	5-2
039082	159	4	040678	109	22-2	043173	123	15-2
039144	167	38-1	040704	111	26-2	043174	103	8-2
039144	169	22	040707	111	19-2	043175	103	7-2
039172	155	44	040708	111	24-2	043176	123	8-2
039275	141	11	040711	111	16-3	043177	123	6-2
039275	141	34	040713	111	3-2	043178	123	4-2
039275	167	1-1	040928	107	15-3	043179	123	10-2
039323	149	32-13	040929	107	15-2	043180	105	39-2
039330	173	1-3	040940	121	19	043181	109	21-2
039334	129	42-1	040966	125	29-2	043182	115	3-2
039340	153	28-2	040966	147	48-2	043183	139	49-4
039341	161	19	041026	151	26	043184	141	3
039342	153	24-2	041037	125	31-1	043185	107	2-2
039354	165	2-2	041268	103	26-2	043186	107	2-3
039368	175	28-3	041308	101	1-4	043187	107	2-4
039383	179	4	041309	109	26-5	043188	107	1-2
039384	105	44	041311	105	35-2	043189	107	1-3
039387	179	19	041715	147	47-2	043190	107	1-4
039389	179	24	041717	147	56-2	043191	107	6-5
039390	179	16	041730	125	31-2	043192	107	6-6
039391	103	9-2	041786	184	2-2	043193	107	6-7
039391	141	6-1	041787	184	3-2	043194	107	6-8
039391	141	6-2	041788	184	4-2	043195	107	6-9
039422	167	38-3	042111	153	1-2	043196	109	19-5
039423	175	28-1	042156	173	3-2	043197	109	19-6
039430	173	18	042157	173	4-2	043198	109	19-7
039460	173	1-4	042158	173	5-2	043199	109	19-8
039550	167	2-3	042159	173	2-2	043200	109	19-9
039602	179	17	042161	167	37-2	043201	109	18-3
039746	179	2-2	042162	173	1-2	043202	109	18-4
039747	175	26-2	042171	175	28-2	043203	109	18-5
039790	165	1-2	042307	184	8-2	043204	109	18-6
039790	167	6	042388	177	2	043205	109	18-7
039846	173	4-5	042447	177	14	043206	107	11-2
039847	173	5-5	042448	177	1-1	043207	121	5

PART NO	PAGE	REF
043209	139	46-2
043210	105	38-2
043211	137	1-2
043213	121	4
050201	175	32-1
050234	171	27-2
050234	175	30
050234	177	17
050374	175	32-2
200125	175	22
200125	175	29
303007	179	2-1
303008	175	26-1
303009	179	11
303012	179	18
303133	119	18